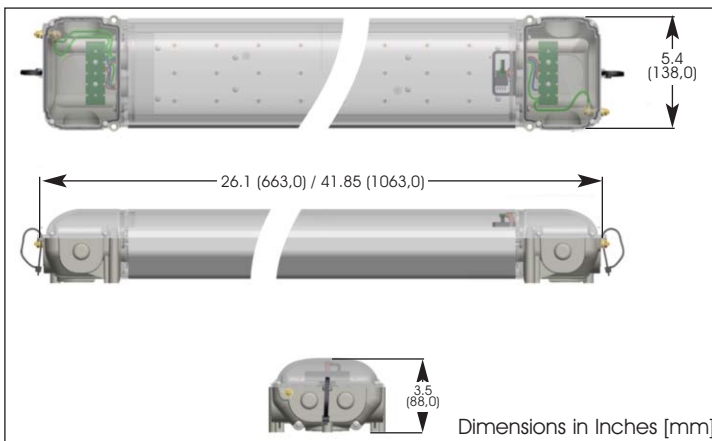




DuroSite® LPK LED Linear Fixture



Certifications & Ratings:

- ▷ Certified to UL1598
- ▷ CE compliant: EN 55015:2006 / EN 61547:2009 / EN 60598:2008
- ▷ CSA 22.2 # 250.0-04
- ▷ IP65/66 rated

Features & Benefits:

- ▷ >70% lumen maintenance after 60,000 operating hours
- ▷ Utilizes the latest >100 lumens per LED technology for cool white
- ▷ Can be wired in series
- ▷ Instant on/off
- ▷ Universal input voltage 90-277V 50/60Hz
- ▷ Mercury free, lead free
- ▷ Can be connected to remote photocells

Order Codes:

Part Number	Wattage	Initial Fixture Lumens	Lumens Per Watt
LPK22-2C3DIF	25W	1,850	74
LPK44-2C3DIF	50W	3,700	74

Application:

The Dialight DuroSite® LPK LED Linear Fixture is a rugged and durable solution for demanding industrial and utility lighting applications. Its sealed housing allows its use outdoors as well as indoors and with its automatic input voltage sensing it can be used in most locations around the world. The fixture is rated for 60,000 hours continuous operation, requiring no maintenance apart from routine inspection throughout its operational life.

All of Dialight's long life LED luminaires are designed to meet the most demanding specification criteria while offering maximum energy savings, reduced maintenance costs, and a superior quality of light.

Mechanical Information

Fixture Weight: 13.5lbs (6.13kg) 2' version
19.8lbs (9.00kg) 4' version

Electrical specifications

Operating Voltage: 90-277Vac 50/60Hz

Wattage: 25W 2' version
50W 4' version

Operating Temp: -40°F to +131°F (-40°C to +55°C)

Noise Requirements/ EMC: FCC Title 47, Subpart B, Section 15, class B device. EN55015:2006

RF Immunity: 10V/m, 80MHz-1GHz

Harmonics: EN 61000-3-2: 2006

THD: <15% @ 120VAC
<20% @ 277VAC

Surge Protection: EN 61000-4-5
1 kV line to line
2 kV line to ground

Power Factor: > 0.9

Material

Body: Anodized alum. 6061

Lens: Diffused polycarbonate
Clear versions available (MOQ applies, consult factory)

Accessories (hardware): Stainless steel

Photometric Information

CRI: > 70

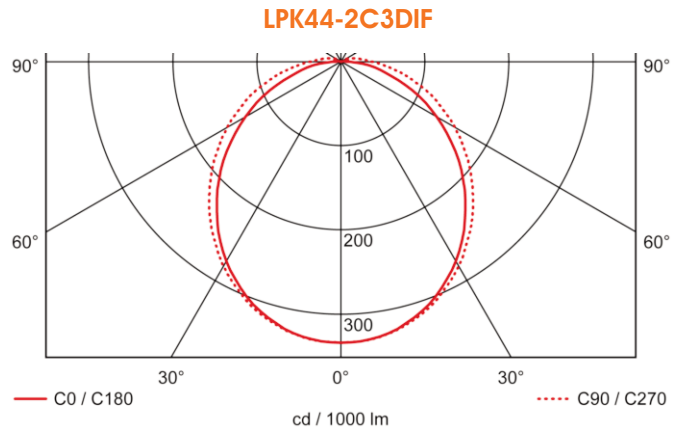
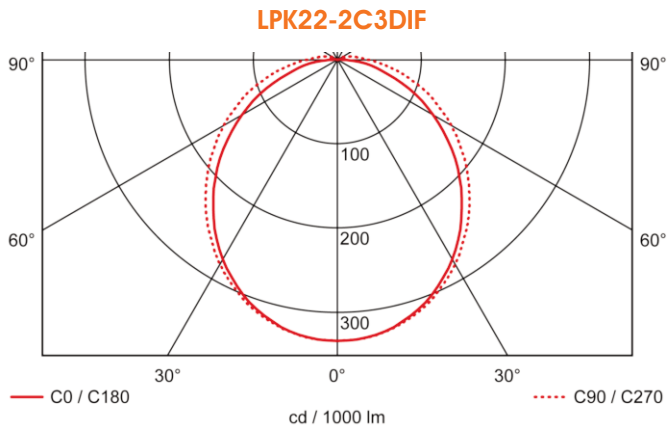
CCT: 6350K (cool white)

All values typical unless otherwise stated

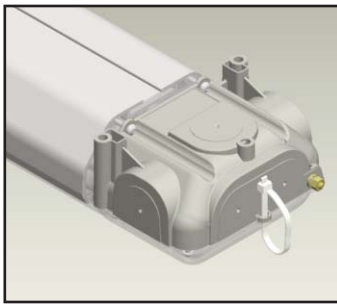


DuroSite® LPK LED Linear Fixture

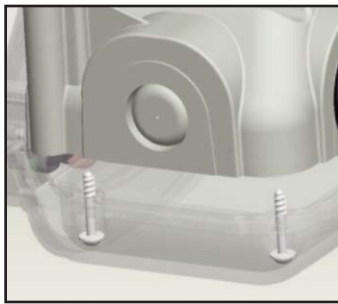
Polar Diagrams



Mounting Detail



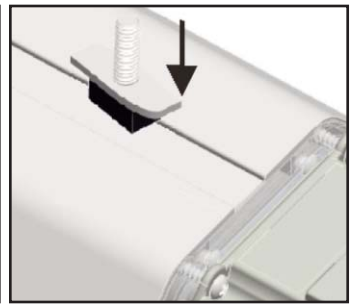
End Assembly
Available Entry Points



End Assembly
Drill-Out Location

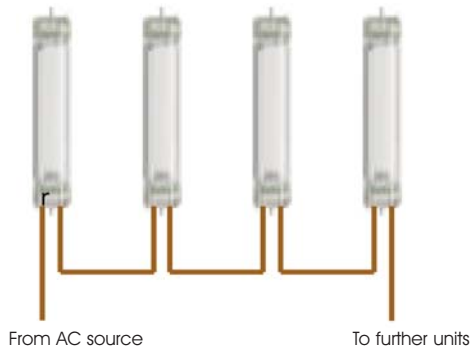


Mounting Screws

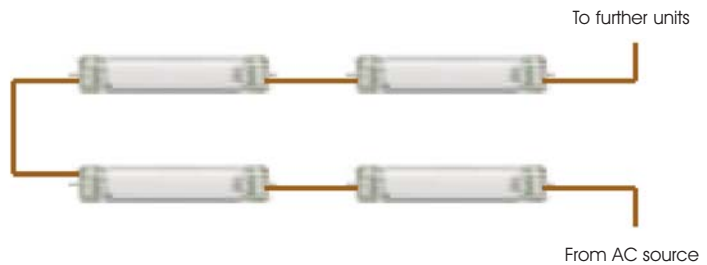


Slot-Bolt Assembly
Required for Tracks/Raceways wiring

Wiring Detail



Daisychain Configuration



String Configuration