



EDITION 1.1 2012/13  
EXHIBITION NEWS



ENFORCER  
HARLINGEN

LYS-LINE

CMA CGM

FRSU  
217291 8  
US 2210

MAERSK  
SEALAND

CMA CGM

FRSU  
217291 8  
US 2210

MAERSK  
SEALAND

# LIGHTING FOR SHIPS

EQUIPMENT FOR ELECTRICAL INSTALLATIONS

CONTAINER SOCKETS

CABLE INSTALLATION

EQUIPMENT FOR HAZARDOUS AREAS

NAVY EQUIPMENT



Economical

Durable

Powerful

The Karl Dose GmbH has belonged to the leading manufacturers of ship's lighting for over 90 years. Next to classical illuminants such as halogen and xenon lamps, energy saving lamps and fluorescent lamps, DOSE

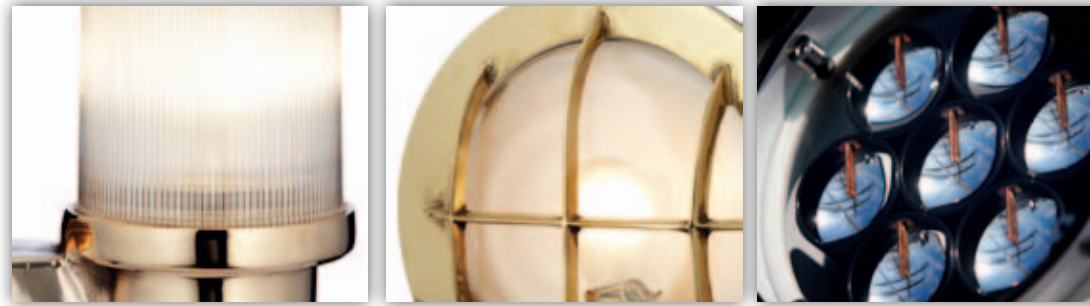
has also been focussing on the LED as an illuminant for ships lighting for years.

There is no area of ships lighting in which DOSE is not working as a successful manufacturer of innovative, high quality LED products.

The advantages of LED-technology are obvious: Less energy is needed to achieve the same or an even better luminous power and higher durability.

Gradually the LED linear fluorescent luminaires are replacing the widespread fluorescent lamps. The reliable stainless steel casing is still used, merely the lighting technology is exchanged for economical, high quality LED illuminants.





We have completely reworked our reliable brass floodlights and reinvented them with sea water resistant aluminium and LEDs. Usable in many areas it is a real 'allrounder': be it on the gangway, on the smokestack or mobile, this floodlight can be used multi-purposely.

The highlight of this catalogue are our LED searchlight for all types of

ships. The high performance of several thousand watts for halogen or xenon use was reduced to an energy efficient maximum of 131W.

DOSE also produces a submarine LED daylight illumination, which – by means of a computer simulation – imitates the sunlight's colour gradient to ensure the effectiveness of the ships company.



## To the Stars at the Speed of Light!

We can't offer you  
that yet – but when

it comes to light, you're always on the safe side with DOSE. Products from the DOSE light laboratory can be recognised by their celestial names, which originate from single stars or star constellations.

Let yourself be inspired by the performance of our energy efficient “Virgo” LED search lights or our popular “Perseus” aluminium floodlights.



16 - 25



26 - 27



28 - 31



32 - 33



34 - 45



46 - 47



50 - 51



52 - 53



54 - 56



57 - 65



57 - 65



66



67 - 71



72



73



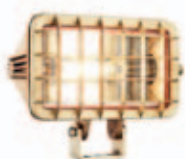
74 - 75



power for ships



76 - 77



78 - 79



83



84



85 - 89



90



91



92



93



96



97



99 - 100



101



102



103



104



105



106



108



109



110



111 - 117

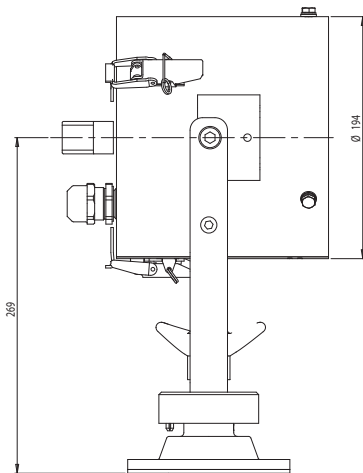


Virgo  
SS 190 LED D



### Technical Data

Name & No.	kg	Description
Virgo SS 190 LED D	7,00	<ul style="list-style-type: none"> <li>• IP 56</li> <li>• housing and crutch made of stainless steel, base made of RG5, toughened soda-lime glass lens, parabolically lead coated mirror</li> </ul>
Virgo SS 190 LED DP	19,50	<ul style="list-style-type: none"> <li>• all surfaces white powdercoated RAL 9016, internal surfaces are optical matt black</li> </ul>
Virgo SS 190 LED C	12,00	<ul style="list-style-type: none"> <li>• silikon gaskets</li> <li>• 3 white LED modules</li> </ul>
Virgo SS 190 LED CP	19,50	<ul style="list-style-type: none"> <li>• input voltage: 85-264V AC, 120-370V DC or 24V DC</li> <li>• illuminated area in 100m: approx. 5 x 5m</li> <li>• luminous flux: approx. 900 lm</li> </ul>
Virgo SS 190 LED R	26,00	<ul style="list-style-type: none"> <li>• luminosity: approx. 4,2 x 10<sup>5</sup> cd</li> <li>• light intensity in 100m: approx. 42 lx</li> <li>• beam angle: 3°</li> </ul>
Virgo SS 190 LED RP	33,50	<ul style="list-style-type: none"> <li>• durability diode: 50.000 hrs. in continuous operation (manufacturer's data)</li> <li>• certification: German Lloyd</li> </ul>



### Variations

Name & No.	Mounting Variations	Pan	Tilt	Description
Virgo SS 190 LED D	Deck	370°	-40°/+30°	• manual operation of searchlight
Virgo SS 190 LED DP	Deck / Pedestal	370°	-40°/+30°	<ul style="list-style-type: none"> <li>• as for ...D, but searchlight on pedestal 1m high</li> <li>• special heights on request</li> </ul>
Virgo SS 190 LED C	Cabin	370°	-35°/+20°	• manual operations from below by control mechanism
Virgo SS 190 LED CP	Cabin / Pedestal	370°	-35°/+20°	• as for ...C, but searchlight on pedestal
Virgo SS 190 LED R	Remote Control	370°	-35°/+20°	• searchlight mounted on electric remote control unit complete with joystick, control panel for flush console installation
Virgo SS 190 LED RP	Remote Control / Pedestal	370°	-35°/+20°	• as for ...R, but searchlight on pedestal



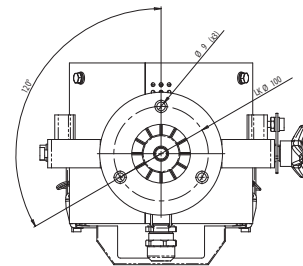
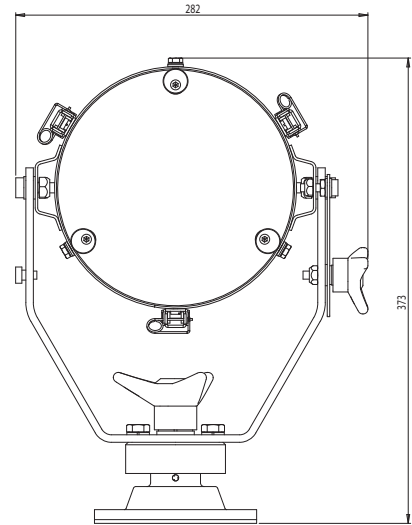


**Optical Performance**

Voltage	Wattage	Peak Beam Candle Power	Range M 1 Lux	Beam Angle
24V DC	11	$4,2 \times 10^5$	600	3°
85-264V AC	11	$4,2 \times 10^5$	600	3°
120-370V DC	11	$4,2 \times 10^5$	600	3°

**Spare Parts**

No.	Description
2202627	lens
2202624	sealing for lens
2202154	LED modules, contains LED, parabolically mirror und housing
9201121	constant current regulator
9201454	ballast unit 110V / 230V
9201455	ballast unit 24V



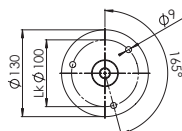
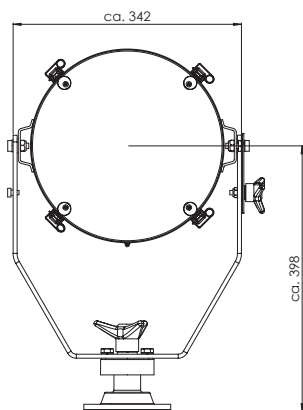


Virgo  
SS 250 LED D



### Technical Data

Name & No.	kg	Description
Virgo SS 250 LED D	15,00	<ul style="list-style-type: none"> <li>• IP 56</li> <li>• barrel, black plate and crutch made of stainless steel, base made of corrosion-resistant LM6 aluminium, toughened soda-lime glass lens, parabolically lead coated silver glass mirror</li> </ul>
Virgo SS 250 LED DP	22,50	<ul style="list-style-type: none"> <li>• all outside surfaces are white powdercoated RAL 9016, internal surfaces are optical matt black</li> </ul>
Virgo SS 250 LED C	20,00	<ul style="list-style-type: none"> <li>• 7 LED modules</li> </ul>
Virgo SS 250 LED CP	27,50	<ul style="list-style-type: none"> <li>• input voltage: 85-264V AC/120-370V DC or 24V DC</li> <li>• illuminated area in 100m: 5 x 5m</li> </ul>
Virgo SS 250 LED R	34,00	<ul style="list-style-type: none"> <li>• lighting current: approx. 2.100 lm</li> <li>• luminosity: approx. 9,5 x 105 cd</li> <li>• light intensity in 100m: approx. 52 lx</li> <li>• beam angle: 1,5°</li> </ul>
Virgo SS 250 LED RC	41,50	<ul style="list-style-type: none"> <li>• certification: German Lloyd</li> <li>• durability diode: 50.000 hours (manufacturer's data) in continuous operation</li> </ul>



### Variations

Name & No.	Mounting Variations	Pan	Tilt	Description
Virgo SS 250 LED D	Deck	370°	-35°/+30°	<ul style="list-style-type: none"> <li>• manual operation of searchlight</li> </ul>
Virgo SS 250 LED DP	Deck / Pedestal	370°	-35°/+30°	<ul style="list-style-type: none"> <li>• as for ...D, but searchlight on pedestal 1m high</li> <li>• special heights on request</li> </ul>
Virgo SS 250 LED C	Cabin	370°	-35°/+20°	<ul style="list-style-type: none"> <li>• manual operations from below by control mechanism</li> </ul>
Virgo SS 250 LED CP	Cabin / Pedestal	370°	-35°/+20°	<ul style="list-style-type: none"> <li>• as for ...C, but searchlight on pedestal</li> </ul>
Virgo SS 250 LED R	Remote Control	370°	-35°/+20°	<ul style="list-style-type: none"> <li>• searchlight mounted on electric remote control unit complete with joystick control panel for flush console installation</li> </ul>
Virgo SS 250 LED RC	Remote Control / Pedestal	370°	-35°/+20°	<ul style="list-style-type: none"> <li>• as for ...R, but searchlight on pedestal</li> </ul>

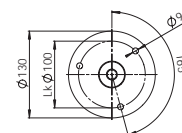
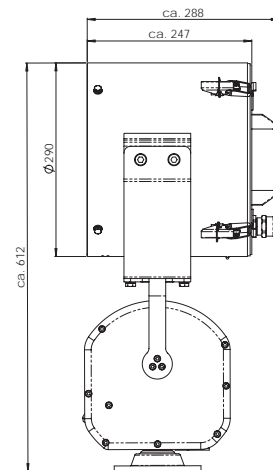
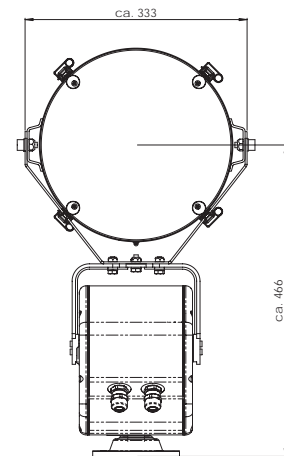


**Optical Performance**

Voltage	Watt	Peak Beam Candle Power	Range M 1 Lux	Divergence
24V DC	29W	9,5 x 10 <sup>6</sup>	900 m	3°
85-264V AC	29W	9,5 x 10 <sup>6</sup>	900 m	3°
120-370V DC	29W	9,5 x 10 <sup>6</sup>	900 m	3°

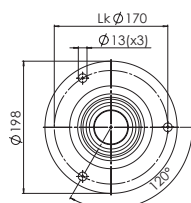
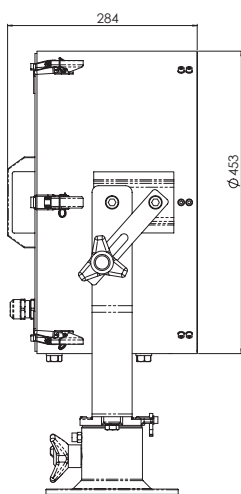
**Spare Parts**

No.	Item
2200648	lens
2200647	sealing for lens
2201276	lock wheel (cabin)
2200868	lock wheel (for deck base)
2200883	joystick for control panel
2200879	panel gasket
2200705	tilt motor 24V DC
2200705	pan motor 24V DC
2201420	tilt motor 230V
2201392	pan motor 230V
2201746	tilt motor 110V
2201746	pan motor 110V
2200729	snap switch
2200591	push button blue
2200887	contact element
2202154	LED-modul, contains LED, parabolic mirror and housing
2202155	constant current regulator
9201158	ballast unit, item 2+3
9201162	ballast unit, item 1





Virgo  
SS 350 LED D



### Technical Data

Name & No.	kg	Description
Virgo SS 350 LED D	31,00	<ul style="list-style-type: none"> <li>• IP 56</li> <li>• barrel black plate and crutch made of stainless steel, base made of corrosion-resistant LM6 aluminium, toughened soda-lime glass lens, parabolically lead coated silver glass mirror</li> </ul>
Virgo SS 350 LED DP	43,50	<ul style="list-style-type: none"> <li>• all outside surfaces are white powdercoated RAL 9016, internal surfaces are optical matt black</li> </ul>
Virgo SS 350 LED C	36,50	<ul style="list-style-type: none"> <li>• 19 LED modules</li> </ul>
Virgo SS 350 LED CP	49,00	<ul style="list-style-type: none"> <li>• input voltage: 85-264V AC/120-370V DC or 24V DC</li> <li>• illuminated area in 100m: 5 x 5m</li> <li>• lighting current: approx. 5.700 lm</li> </ul>
Virgo SS 350 LED R	80,00	<ul style="list-style-type: none"> <li>• luminosity: approx. 2,6 x 106 cd</li> <li>• light intensity in 100m: approx. 140 lx</li> <li>• beam angle: 1,5°</li> </ul>
Virgo SS 350 LED RP	113,00	<ul style="list-style-type: none"> <li>• certification: German Lloyd</li> <li>• durability diode: 50.000 hours (manufacturer's data) in continuous operation</li> </ul>

### Variations

Name & No.	Mounting Variations	Pan	Tilt	Description
Virgo SS 350 LED D	Deck	370°	-40°/+30°	<ul style="list-style-type: none"> <li>• manual operation of searchlight</li> </ul>
Virgo SS 350 LED DP	Deck / Pedestal	370°	-40°/+30°	<ul style="list-style-type: none"> <li>• as for ...D, but searchlight on pedestal 1m high</li> <li>• special heights on request</li> </ul>
Virgo SS 350 LED C	Cabin	370°	-35°/+20°	<ul style="list-style-type: none"> <li>• manual operations from below by control mechanism</li> </ul>
Virgo SS 350 LED CP	Cabin / Pedestal	370°	-35°/+20°	<ul style="list-style-type: none"> <li>• as for ...C, but searchlight on pedestal</li> </ul>
Virgo SS 350 LED R	Remote Control	370°	-35°/+20°	<ul style="list-style-type: none"> <li>• searchlight mounted on electric remote control unit complete with joystick control panel for flush console installation</li> </ul>
Virgo SS 350 LED RP	Remote Control / Pedestal	370°	-35°/+20°	<ul style="list-style-type: none"> <li>• as for ...R , but searchlight on pedestal</li> </ul>

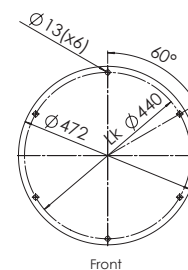
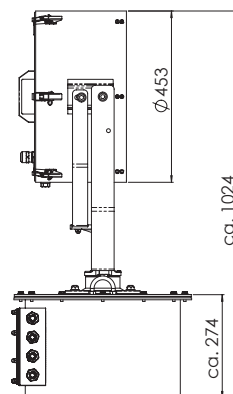
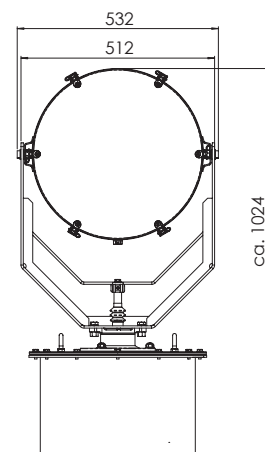


**Optical Performance**

Voltage	Watt	Peak Beam Candle Power	Range M 1 Lux	Divergence
24V DC	80W	2,6 x 10 <sup>6</sup>	1.400 m	3°
85-264V AC	80W	2,6 x 10 <sup>6</sup>	1.400 m	3°
120-370V DC	80W	2,6 x 10 <sup>6</sup>	1.400 m	3°

**Spare Parts**

No.	Item
2200820	lens
2200805	sealing for lens
2200671	reflector
2225004	lampholder GX9.5
2245004	lampholder GY16
2201276	lock wheel (cabin)
2200868	lock wheel (for deck base)
2200883	joystick for control panel
2200879	panel gasket
2201836	tilt motor 110V
2202223	tilt motor capacitor 8 µF
2200859	pan motor 110V
2202223	pan motor capacitor 6,3 µF
2201836	tilt motor 230V
2202224	tilt motor capacitor 8 µF
2201841	pan motor 230V
2202223	pan motor capacitor 6,3 µF
2200729	snap switch
2200591	push button blue
2200887	contact element
2202154	LED-modul, contains LED, parabolic mirror and housing
2202155	constant current regulator
9201150	ballast unit, item 2+3b
9201163	ballast unit, item 1



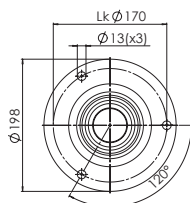
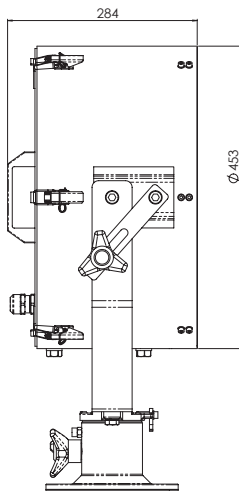


Virgo  
SS 350 Cam LED D



### Technical Data

Name & No.	kg	Description
Virgo SS 350 Cam LED D	31,00	<ul style="list-style-type: none"> <li>• IP 56</li> <li>• housing and crutch made of stainless steel, base made of RG5, toughened soda-lime glass lens, parabolically lead coated mirror</li> </ul>
Virgo SS 350 Cam LED DP	43,50	<ul style="list-style-type: none"> <li>• all surfaces white powdercoated RAL 9016, internal surfaces are optical matt black</li> <li>• silikon gaskets</li> <li>• 12 white LED modules</li> </ul>
Virgo SS 350 Cam LED C	36,50	<ul style="list-style-type: none"> <li>• 6 infrared LED modules</li> <li>• input voltage: 85-264V AC, 120-370V DC or 24V DC</li> <li>• illuminated area in 100m: approx. 5 x 5m</li> </ul>
Virgo SS 350 Cam LED CP	49,00	<ul style="list-style-type: none"> <li>• luminous flux: approx. 3.600 lm white LEDs</li> <li>• luminosity: approx. 1,6 x 10<sup>6</sup> cd</li> <li>• light intensity in 100m: approx. 110 lx</li> <li>• wave length: IR modules: 940nm</li> </ul>
Virgo SS 350 Cam LED R	80,00	<ul style="list-style-type: none"> <li>• beam angle: 1,5°</li> <li>• beam power: IR modules 350mW total beam power 2,5W<sup>*</sup></li> <li>• certification: German Lloyd</li> </ul>
Virgo SS 350 Cam LED RP	113,00	<ul style="list-style-type: none"> <li>• durability diode: 50.000 hrs. in continuous operation (manufacturer's data)</li> <li>• camera: 1/4" Sony Super HAD II Double Scann CCD</li> <li>• pixel: NTSC 1028 (H) x 508V / PAL 1028 (H) x 596 (V)</li> <li>• focus: auto / one push / manual</li> <li>• e-zoom: off / max. x2 - x32</li> <li>• day &amp; night: day/night/auto/exit</li> </ul>



### Variations

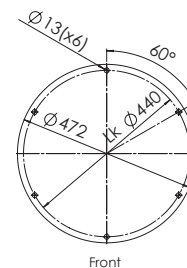
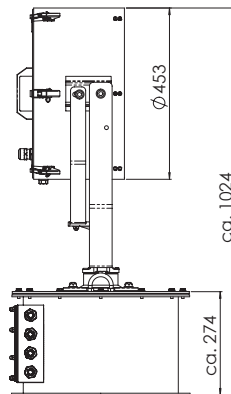
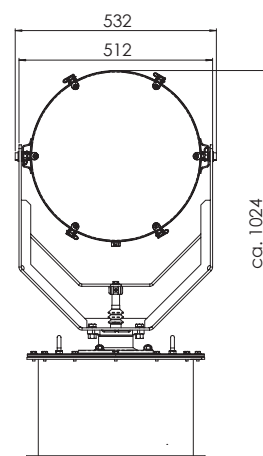
Name & No.	Mounting Variations	Pan	Tilt	Description
Virgo SS 350 Cam LED D	Deck	370°	-40°/+30°	• manual operation of searchlight
Virgo SS 350 Cam LED DP	Deck / Pedestal	370°	-40°/+30°	<ul style="list-style-type: none"> <li>• as for ...D, but searchlight on pedestal 1m high</li> <li>• special heights on request</li> </ul>
Virgo SS 350 Cam LED C	Cabin	370°	-35°/+20°	• manual operations from below by control mechanism
Virgo SS 350 Cam LED CP	Cabin / Pedestal	370°	-35°/+20°	• as for ...C, but searchlight on pedestal
Virgo SS 350 Cam LED R	Remote Control	370°	-35°/+20°	• searchlight mounted on electric remote control unit complete with joystick, control panel for flush console installation
Virgo SS 350 Cam LED RP	Remote Control / Pedestal	370°	-35°/+20°	• as for ...R, but searchlight on pedestal

**Optical Performance white LED**

Voltage	Wattage	Peak Beam Candle Power	Range M 1 Lux	Divergence
24V DC	40W	1,6 x 10 <sup>6</sup>	1.100	3°
85-264V AC	40W	1,6 x 10 <sup>6</sup>	1.100	3°
120-370V DC	40W	1,6 x 10 <sup>6</sup>	1.100	3°

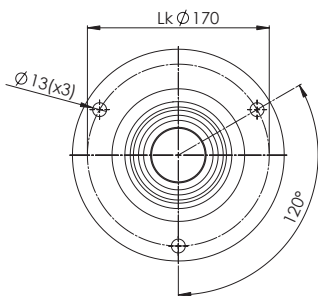
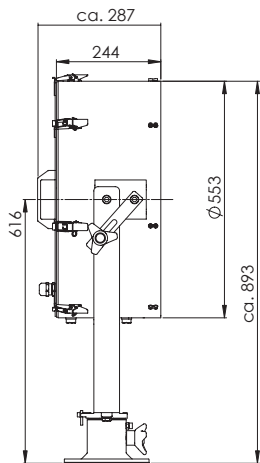
**Spare Parts**

No.	Description
2200820	lens
2200805	sealing for lens
2200671	reflector
2201276	lock wheel (cabin)
2200868	lock wheel (for deck)
2200883	joystick for panel
2200879	panel gasket
2201836	tilt motor 110V
2202223	tilt motor capacitor 8 µF
2200859	pan motor 110V
2202223	pan motor capacitor 6,3 µF
2201836	tilt motor 230V
2202224	tilt motor capacitor 8 µF
2201841	pan motor 230V
2202223	pan motor capacitor 6,3 µF
2200729	snap switch
2200591	push button blue
2200887	contact element
2202154	LED modules, contains LED, parabolically mirror und housing
9201121	constant current regulator
9201454	ballast unit 110V / 230V
9201346	ballast unit 24V





Virgo  
SS 450 LED D



### Technical Data

Name & No.	kg	Description
Virgo SS 450 LED D	40,50	<ul style="list-style-type: none"> <li>• IP 56</li> <li>• barrel black plate and crutch made of stainless steel, base made of corrosion-resistant LM6 aluminium, toughened soda-lime glass lens, parabolically lead coated silver glass mirror</li> </ul>
Virgo SS 450 LED DP	53,00	<ul style="list-style-type: none"> <li>• all outside surfaces are white powdercoated RAL 9016, internal surfaces are optical matt black</li> </ul>
Virgo SS 450 LED C	45,50	<ul style="list-style-type: none"> <li>• 31 LED modules</li> </ul>
Virgo SS 450 LED CP	58,00	<ul style="list-style-type: none"> <li>• input voltage: 85-264V AC/120-370V DC or 24V DC</li> <li>• illuminated area in 100m: 5 x 5m</li> </ul>
Virgo SS 450 LED R	89,50	<ul style="list-style-type: none"> <li>• lighting current: approx. 11.100 lm</li> <li>• luminosity: approx. 5,0 x 106 cd</li> <li>• light intensity in 100m: approx. 228 lx</li> <li>• beam angle: 1,5°</li> </ul>
Virgo SS 450 LED RC	122,50	<ul style="list-style-type: none"> <li>• certification: German Lloyd</li> <li>• durability diode: 50.000 hours (manufacturer's data) in continuous operation</li> </ul>

### Variations

Name & No.	Mounting Variations	Pan	Tilt	Description
Virgo SS 450 LED D	Deck	370°	-40°/+30°	• manual operation of searchlight
Virgo SS 450 LED DP	Deck / Pedestal	370°	-40°/+30°	<ul style="list-style-type: none"> <li>• as for ...D, but searchlight on pedestal 1m high</li> <li>• special heights on request</li> </ul>
Virgo SS 450 LED C	Cabin	370°	-30°/+20°	• manual operations from below by control mechanism
Virgo SS 450 LED CP	Cabin / Pedestal	370°	-30°/+20°	• as for ...C, but searchlight on pedestal
Virgo SS 450 LED R	Remote Control	370°	-30°/+20°	• searchlight mounted on electric remote control unit complete with joystick control panel for flush console installation
Virgo SS 450 LED RP	Remote Control / Pedestal	370°	-30°/+20°	• as for ...R , but searchlight on pedestal



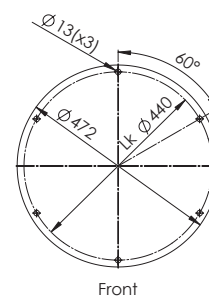
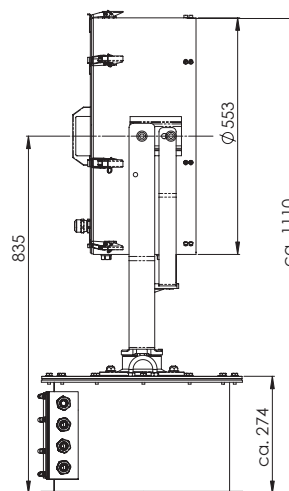
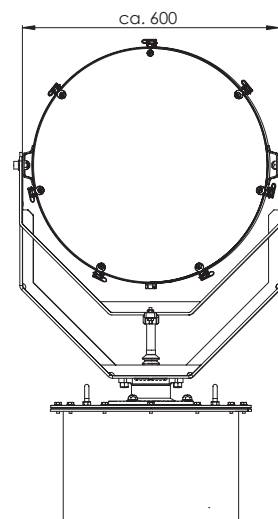


**Optical Performance**

Voltage	Watt	Peak Beam Candle Power	Range M 1 Lux	Divergence
24V DC	130W	5,0 x 10 <sup>6</sup>	2.000 m	3°
85-264V AC	130W	5,0 x 10 <sup>6</sup>	2.000 m	3°
120-370V DC	130W	5,0 x 10 <sup>6</sup>	2.000 m	3°

**Spare Parts**

No.	Item
2200676	lens
2200679	sealing for lens
2201276	lock wheel (cabin)
2200825	lock wheel (for deck base)
2200883	joystick for control panel
2200879	panel gasket
2201836	tilt motor 110V
2202223	tilt motor capacitor 8 µF
2200859	pan motor 110V
2202223	pan motor capacitor 6,3 µF
2201836	tilt motor 230V
2202224	tilt motor capacitor 8 µF
2201841	pan motor 230V
2202223	pan motor capacitor 6,3 µF
2200729	snap switch
2200591	push button blue
2200887	contact element
2202154	LED-modul, contains LED, parabolic mirror and housing
2202155	constant current regulator
2202222	ballast unit, item 2+3
9201164	ballast unit, item 1





Andromeda  
SS 250 D



Andromeda  
SS 250 DS



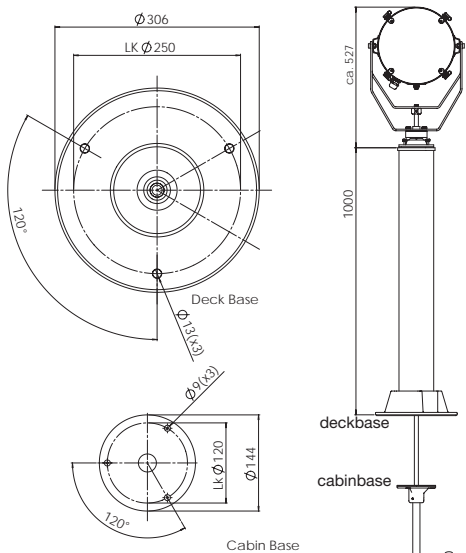
Andromeda  
SS 250 C



Andromeda  
SS 250 R

### Technical Data

Name & No.	kg	Description
Andromeda SS 250 D	15,00	<ul style="list-style-type: none"> <li>• IP 56</li> <li>• barrel, back plate and crutch made of stainless steel,</li> </ul>
Andromeda SS 250 DP	22,50	<ul style="list-style-type: none"> <li>• barrel, back plate and crutch made of stainless steel,</li> <li>• base made of red cast brass, toughened soda-lime glass lens, parabolically lead coated silver glass mirror</li> </ul>
Andromeda SS 250 C	20,00	<ul style="list-style-type: none"> <li>• all surfaces are white powdercoated RAL 9016</li> <li>• without lamp</li> <li>• optional with electrical focus</li> </ul>
Andromeda SS 250 CP	27,50	
Andromeda SS 250 R	30,00	
Andromeda SS 250 RP	37,50	



### Variations

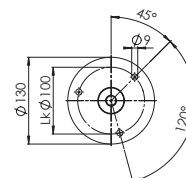
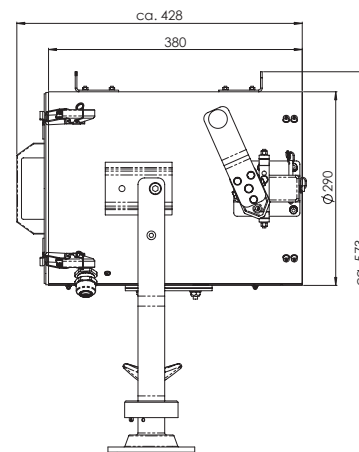
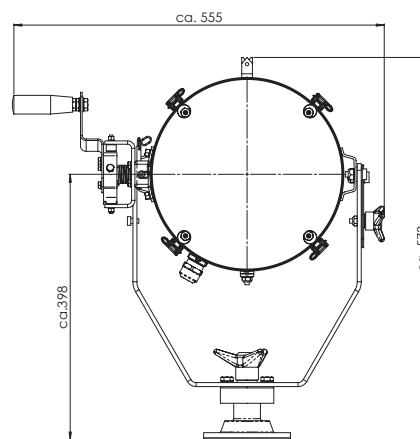
Name & No.	Mounting variations	Pan	Tilt	Description
Andromeda SS 250 D	Deck	370°	-30°/+20°	• manual operation of searchlight
Andromeda SS 250 DP	Deck / Pedestal	370°	-30°/+20°	<ul style="list-style-type: none"> <li>• as for ...D, but searchlight on pedestal 1m high</li> <li>• special heights on request</li> </ul>
Andromeda SS 250 C	Cabin	370°	-35°/+20°	• manual operations from below by control mechanism
Andromeda SS 250 CP	Cabin / Pedestal	370°	-35°/+20°	• as for ...C, but searchlight on pedestal
Andromeda SS 250 R	Remote control	370°	-35°/+20°	• searchlight mounted on electric remote control unit complete with joystick control panel for flush console installation
Andromeda SS 250 RP	Remote control / Pedestal	370°	-35°/+20°	• as for ...R, but searchlight on pedestal

**Optical Performance**

Voltage	Watt	Peak Beam Candle Power	Range M 1 Lux	Divergence
24	250	1,2 x 10 <sup>6</sup>	1815 m	4°
115	1.000	0,6 x 10 <sup>6</sup>	1120 m	4°
230	1.000	0,6 x 10 <sup>6</sup>	1120 m	4°

**Spare Parts**

No.	Item
2200648	lens
2200647	sealing for lens
2200670	reflector
2225004	lampholder GX9.5
2200668	lampholder G6.35
2201276	lock wheel (cabin)
2200868	lock wheel (for deck base)
2225411 GX9.5	spare lamp 230V 1.000W
2225409 GX9.5	spare lamp 230V 650W
2200765 G6.35	spare lamp 24V 250W
2200883	joystick for control panel
2200879	panel gasket
2201420	tilt motor 230V
2200694	tilt motor 24V
2201392	pan motor 230V
2200693	pan motor 24V
2201695	focus motor
2200729	snap switch
2200591	push button blue
2200887	contact element





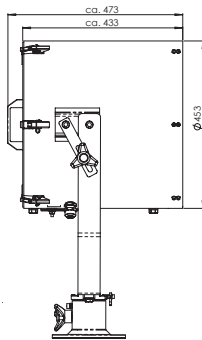
Andromeda  
SS 350 D



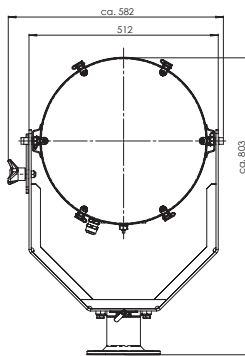
Andromeda  
SS 350 DS



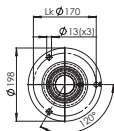
Andromeda  
SS 350 R



Andromeda  
SS 350 C



Andromeda  
SS 350 RP



### Technical Data

Name & No.	kg	Description
Andromeda SS 350 D	32,00	<ul style="list-style-type: none"> <li>• IP 56</li> <li>• barrel, back plate and crutch made of stainless steel, base made of red cast brass, toughened soda-lime glass lens, parabolically lead coated silver glass mirror</li> <li>• all surfaces are white powdercoated RAL 9016</li> <li>• without lamp</li> <li>• optional with electrical focus</li> </ul>
Andromeda SS 350 DP	44,50	
Andromeda SS 350 C	39,50	
Andromeda SS 350 CP	52,00	
Andromeda SS 350 R	87,50	
Andromeda SS 350 RP	110,00	

### Variations

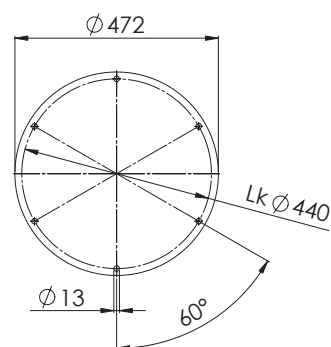
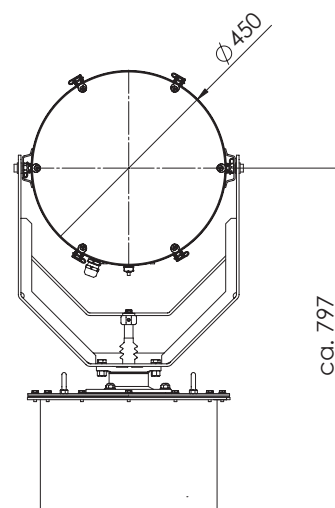
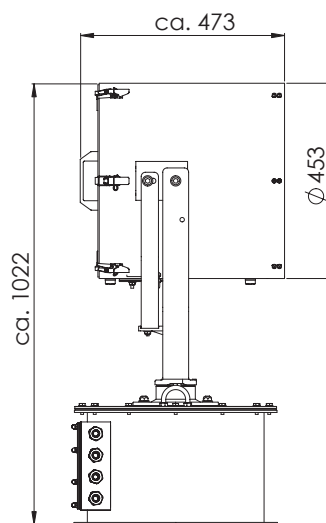
Name & No.	Mounting variations	Pan	Tilt	Description
Andromeda SS 350 D	Deck	370°	-40°/+30°	• manual operation of searchlight
Andromeda SS 350 DP	Deck / Pedestal	370°	-40°/+30°	• as for ...D, but searchlight on pedestal 1m high • special heights on request
Andromeda SS 350 C	Cabin	370°	-35°/+20°	• manual operations from below by control mechanism
Andromeda SS 350 CP	Cabin / Pedestal	370°	-35°/+20°	• as for ...C, but searchlight on pedestal
Andromeda SS 350 R	Remote control	370°	-35°/+20°	• searchlight mounted on electric remote control unit complete with joystick control panel for flush console installation
Andromeda SS 350 RP	Remote control / Pedestal	370°	-35°/+20°	• as for ...R, but searchlight on pedestal

**Optical Performance**

Voltage	Watt	Peak Beam Candle Power	Range M 1 Lux	Divergence
24	250	1,2 x 10 <sup>6</sup>	1.815 m	4°
115	1.000	0,6 x 10 <sup>6</sup>	1.120 m	4°
230	1.000	0,6 x 10 <sup>6</sup>	1.120 m	4°

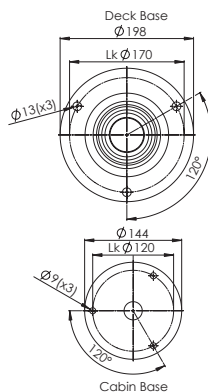
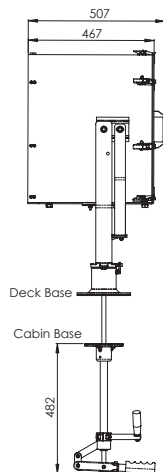
**Spare Parts**

No.	Item
2200820	lens
2200805	sealing for lens
2200671	reflector
2225004	lampholder GX9.5
2245004	lampholder GY16
2201276	lock wheel (cabin)
2200868	lock wheel (for deck base)
2225411 GX9.5	spare lamp 230V 1.000W
2225410 GX9.5	spare lamp 115V 1.000W
2245009 GY16	spare lamp 115V 2.000W
2245006 GY16	spare lamp 230V 2.000W
2200883	joystick for control panel
2200879	panel gasket
2200858	tilt motor 110V
2200859	tilt motor capacitor 8 µF
2201695	pan motor 110V
2200729	pan motor capacitor 6,3 µF
2200591	tilt motor 230V
2200887	tilt motor capacitor 8 µF
2201695	focus motor
2200729	snap switch
2200591	push button blue
2200887	contact element





Andromeda  
SS 450 D



### Technical Data

Name & No.	kg	Description
Andromeda SS 450 D	44,00	<ul style="list-style-type: none"> <li>• IP 56</li> <li>• barrel, back plate and crutch made of stainless steel, base made of red cast brass, toughened soda-lime glass lens, parabolically lead coated silver glass mirror</li> <li>• all surfaces are white powdercoated RAL 9016</li> </ul>
Andromeda SS 450 DP	56,50	<ul style="list-style-type: none"> <li>• without lamp</li> <li>• optional with electrical focus</li> </ul>
Andromeda SS 450 C	49,00	
Andromeda SS 450 CP	61,50	
Andromeda SS 450 R	100,00	
Andromeda SS 450 RP	133,00	

### Variations

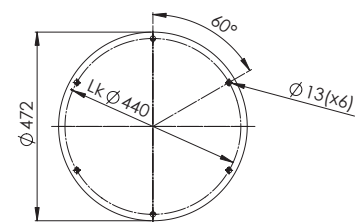
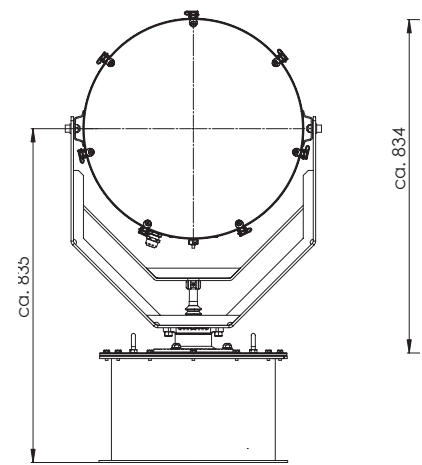
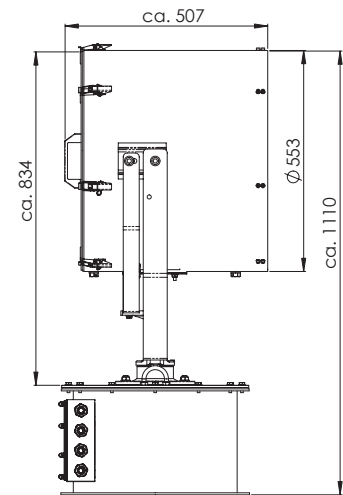
Name & No.	Mounting variations	Pan	Tilt	Description
Andromeda SS 450 D	Deck	370°	-40°/+30°	• manual operation of searchlight
Andromeda SS 450 DP	Deck / Pedestal	370°	-40°/+30°	<ul style="list-style-type: none"> <li>• as for ...D, but searchlight on pedestal 1m high</li> <li>• special heights on request</li> </ul>
Andromeda SS 450 C	Cabin	370°	-30°/+20°	• manual operations from below by control mechanism
Andromeda SS 450 CP	Cabin / Pedestal	370°	-30°/+20°	• as for ...C, but searchlight on pedestal
Andromeda SS 450 R	Remote control	370°	-30°/+20°	• searchlight mounted on electric remote control unit complete with joystick control panel for flush console installation
Andromeda SS 450 RP	Remote control / Pedestal	370°	-30°/+20°	• as for ...R, but searchlight on pedestal

**Optical Performance**

Voltage	Watt	Peak Beam Candle Power	Range M 1 Lux	Divergence
115	2.000	1,9 x 10 <sup>6</sup>	1.745 m	5,4°
230	2.000	2,7 x 10 <sup>6</sup>	2.190 m	5,4°
230	3.000	3,0 x 10 <sup>6</sup>	2.280 m	5,4°

**Spare Parts**

No.	Item
2200676	lens
2200679	sealing for lens
2200686	reflector
2245004	lampholder GY16
2245003	lampholder G38
2201276	lock wheel (cabin)
2200825	lock wheel (for deck base)
2245009 GY16	spare lamp 115V 2.000W
2245006 GY16	spare lamp 230V 2.000W
2266609 G38	spare lamp 230V 3.000W
2200883	joystick for control panel
2200879	panel gasket
2200858	tilt motor 110V
2200859	tilt motor capacitor 8 µF
2201695	pan motor 110V
2200729	pan motor capacitor 6,3 µF
2200591	tilt motor 230V
2200887	tilt motor capacitor 8 µF
2201695	focus motor
2200729	snap switch
2200591	push button blue
2200887	contact element





Andromeda  
SS 630 D

### Technical Data

Name & No.	kg	Description
Andromeda SS 630 D	53,00	<ul style="list-style-type: none"> <li>• IP 56</li> <li>• barrel, back plate and crutch made of stainless steel, base made of red cast brass, toughened soda-lime glass lens, parabolically lead coated silver glass mirror</li> <li>• all surfaces are white powdercoated RAL 9016</li> <li>• without lamp</li> <li>• optional with electrical focus</li> </ul>

### Variations

Name & No.	Mounting Variations	Pan	Tilt	Description
Andromeda SS 630 D	Deck	370°	-30°/-45°	• manual operation of searchlight

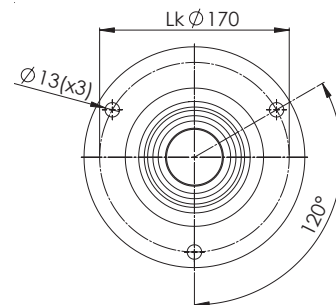
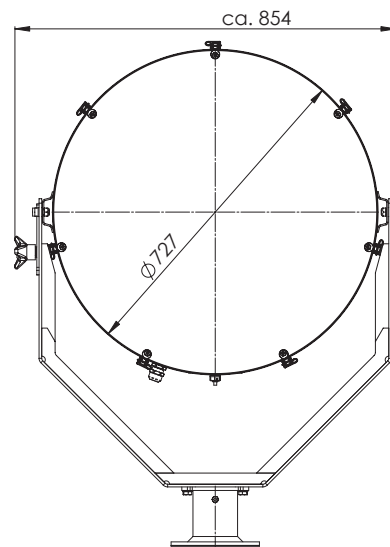
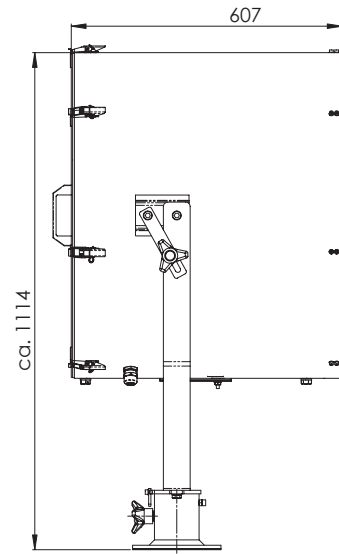


**Optical Performance**

Volt	Watt	Peak Beam Candle Power	Range M 1 Lux	Divergence
115	5.000	1,7 x 10 <sup>6</sup>	1.400 m	6°
230	5.000	2,4 x 10 <sup>6</sup>	2.100 m	8°

**Spare Parts**

No.	Description
2200160	lens
2200159	sealing for lens
2200158	reflector
2245003	lampholder G38
2200825	lock wheel (for deck base)
2263012	spare lamp G38 230V 5.000W



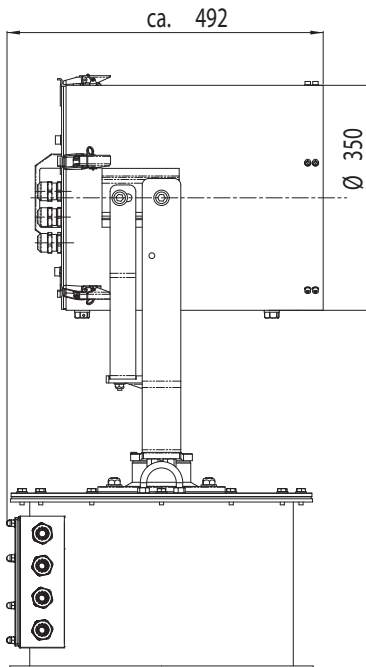


Canis  
SS 260 XR 150W

**NEW**  
150 Watt  
Xenon

**Technical Data**

Name & No.	kg	Description
Canis SS 260 XD		<ul style="list-style-type: none"> <li>• IP 56</li> <li>• housing and crutch made of stainless steel, base made of RG5, toughened soda-lime glass lens, parabolically lead coated mirror</li> </ul>
Canis SS 260 XDP		<ul style="list-style-type: none"> <li>• all surfaces white powdercoated RAL 9016</li> <li>• silicone gaskets</li> </ul>
Canis SS 260 XR		<ul style="list-style-type: none"> <li>• without lamp</li> <li>• thermostatically controlled</li> <li>• electric remote focus</li> </ul>
Canis SS 260 XRP		<ul style="list-style-type: none"> <li>• also available with shutter</li> </ul>



**Variations**

Name & No.	Mounting Variations	Pan	Tilt	Description
Canis SS 260 XD	Deck	370°	-30/+20	• manual operation of searchlight
Canis SS 260 XDP	Deck / Pedestal	370°	-30/+20	<ul style="list-style-type: none"> <li>• as for ...D, but searchlight on pedestal 1m high</li> <li>• special heights on request</li> </ul>
Canis SS 260 XR	Remote Control	370°	-35/+20	• searchlight mounted on electric remote control unit complete with joystick, control panel for flush console installation
Canis SS 260 XRP	Remote Control / Pedestal	370°	-35/+20	• as for ...R, but searchlight on pedestal

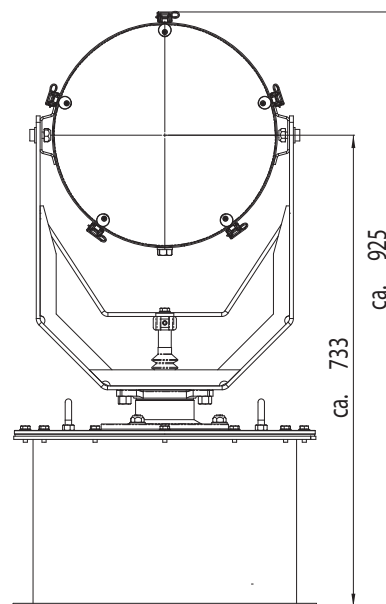
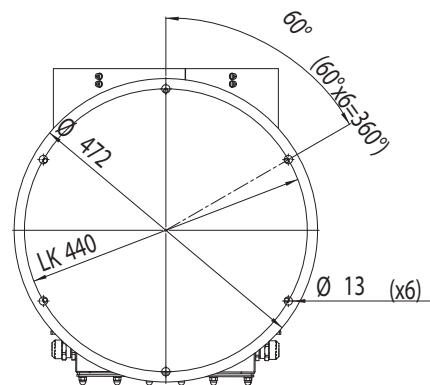


**Optical Performance**

Voltage	Wattage	Peak Beam Candle Power	Range M 1 Lux	Divergence
115	150	10,4 x 10 <sup>6</sup>	3000	min. 1°
230	150	10,4 x 10 <sup>6</sup>	3000	min. 1°

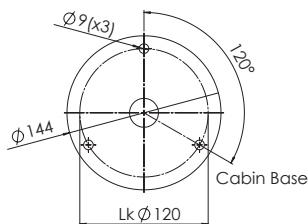
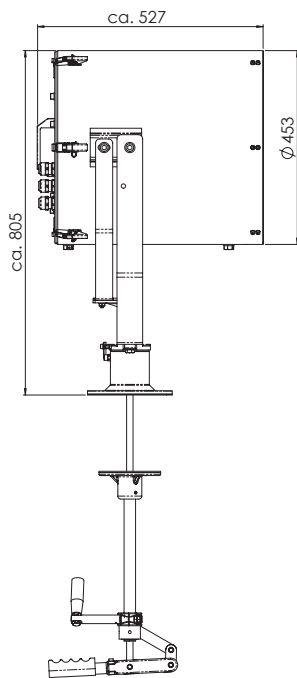
**Spare Parts**

No.	Description
2202892	lens
2202893	sealing for lens
2202909	reflector
2202901	lampholder xenon
2202916	ignition box 230V 150W-300W X
2202917	ignition box 115V 150W-300W X
2201748	xenon recifier 110V/230V 500W
2200965	fan 230V
2201505	fan 115V
2226410	xenon lamp 150W
2200883	joystick
2200879	panel gasket
2201836	tilt motor 230V
2202224	capacitor 8 µF 230V
2201841	pan motor 230V
2202223	capacitor 6,3 µF
2202065	tilt motor 115V
2202066	pan motor 115V
2201695	focus motor 230V
2201506	focus motor 115V
2200729	snap switch
2200591	push button blue
2200887	contact element





Canis  
SS 350 XR



### Technical Data

Name & No.	kg	Description
Canis SS 350 XD	48,00	<ul style="list-style-type: none"> <li>• IP 56</li> <li>• barrel, back plate and crutch made of stainless steel, base made of red cast brass, toughened soda-lime glass lens, parabolically lead coated silver glass mirror</li> </ul>
Canis SS 350 XDP	60,50	<ul style="list-style-type: none"> <li>• all surfaces are white powdercoated RAL 9016</li> </ul>
Canis SS 350 XR	98,50	<ul style="list-style-type: none"> <li>• without lamp</li> <li>• standard fitment: heater, thermostatically controlled</li> </ul>
Canis SS 350 XRP	131,50	<ul style="list-style-type: none"> <li>• electric remote focus</li> </ul>

### Variations

Name & No.	Mounting variations	Pan	Tilt	Description
Canis SS 350 XD	Deck	370°	-30/+20	<ul style="list-style-type: none"> <li>• manual operation of searchlight</li> </ul>
Canis SS 350 XDP	Deck / Pedestal	370°	-30/+20	<ul style="list-style-type: none"> <li>• as for ...D, but searchlight on pedestal 1m high</li> <li>• special heights on request</li> </ul>
Canis SS 350 XR	Remote control	370°	-35/+20	<ul style="list-style-type: none"> <li>• searchlight mounted on electric remote control unit complete with joystick control panel for flush console installation</li> </ul>
Canis SS 350 XRP	Remote control / Pedestal	370°	-35/+20	<ul style="list-style-type: none"> <li>• as for ...R, but searchlight on pedestal</li> </ul>

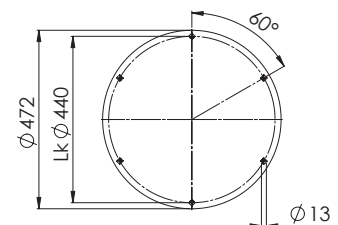
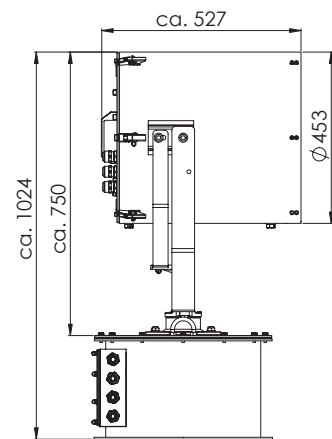
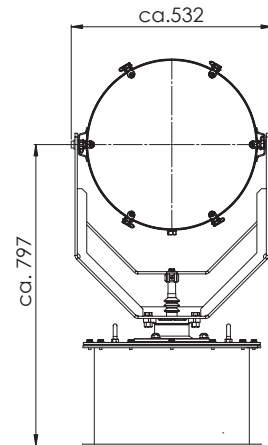


**Optical Performance**

Voltage	Watt	Peak Beam Candle Power	Range M 1 Lux	Divergence
115	1.000	43,9 x 10 <sup>6</sup>	6.600 m	1°
230	1.000	43,9 x 10 <sup>6</sup>	6.600 m	1°

**Spare Parts**

No.	Item
2200820	lens
2200805	sealing for lens
2201027	reflector
2200970	lampholder xenon
2200965	fan optional 230V or 115V
2235318	spare lamp xenon 230V/115V 1.000W
2200883	joystick for control panel
2200879	panel gasket
2201836	tilt motor 110V
2202223	tilt motor capacitor 8 µF
2200859	pan motor 110V
2202223	pan motor capacitor 6,3 µF
2201836	tilt motor 230V
2202224	tilt motor capacitor 8 µF
2201841	pan motor 230V
2202223	pan motor capacitor 6,3 µF
2201695	focus motor
2200729	snap switch
2200591	push button blue
2200887	contact element



SS 350 X  
500W

# Canis

Searchlights 350mm Xenon 500W

karl-dose.com/**Canis**



Canis  
SS 350 XR 500W

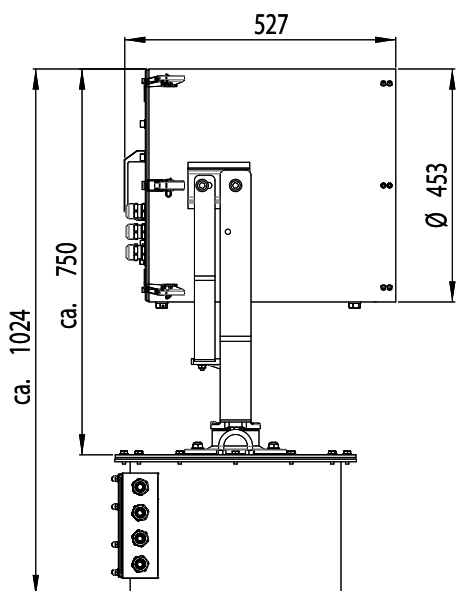
**NEW**  
500 Watt  
Xenon

## Technical Data

Name & No.	kg	Description
Canis SS 350 XD	48,00	<ul style="list-style-type: none"> <li>• IP 56</li> <li>• housing and crutch made of stainless steel, base made of RG5, toughened soda-lime glass lens, parabolically lead coated mirror</li> </ul>
Canis SS 350 XDP	60,50	<ul style="list-style-type: none"> <li>• all surfaces white powdercoated RAL 9016</li> <li>• silicone gaskets</li> </ul>
Canis SS 350 XR	98,50	<ul style="list-style-type: none"> <li>• without lamp</li> <li>• thermostatically controlled</li> <li>• electric remote focus</li> </ul>
Canis SS 350 XRP	131,50	<ul style="list-style-type: none"> <li>• also available with shutter</li> </ul>

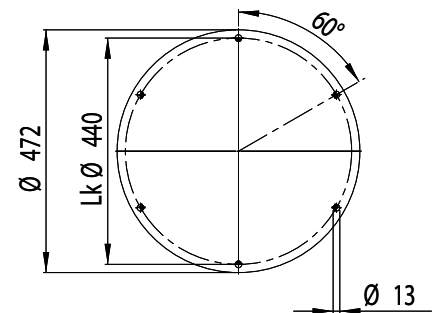
## Variations

Name & No.	Mounting Variations	Pan	Tilt	Description
Canis SS 350 XD	Deck	370°	-30/+20	<ul style="list-style-type: none"> <li>• manual operation of searchlight</li> </ul>
Canis SS 350 XDP	Deck / Pedestal	370°	-30/+20	<ul style="list-style-type: none"> <li>• as for ...D, but searchlight on pedestal 1m high</li> <li>• special heights on request</li> </ul>
Canis SS 350 XR	Remote Control	370°	-35/+20	<ul style="list-style-type: none"> <li>• searchlight mounted on electric remote control unit complete with joystick, control panel for flush console installation</li> </ul>
Canis SS 350 XRP	Remote Control / Pedestal	370°	-35/+20	<ul style="list-style-type: none"> <li>• as for ...R, but searchlight on pedestal</li> </ul>



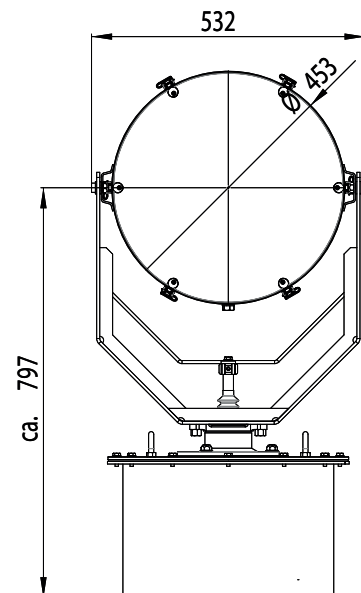
**Optical Performance**

Voltage	Wattage	Peak Beam Candle Power	Range M 1 Lux	Divergence
115	500	25 x 10 <sup>6</sup>	500	1,3°
230	500	25 x 10 <sup>6</sup>	500	1,3°



**Spare Parts**

No.	Description
2200820	lens
2200805	sealing for lens
2201027	reflector
2200970	lamholder xenon
2200965	fan 230V
2201505	fan 115V
2235317	xenon lamp 500W
2200883	joystick
2200879	panel gasket
2201836	tilt motor 115V
2202224	tilt motor capacitor 8 µF
2200859	pan motor 115V
2202223	pan motor capacitor 6,3 µF
2201836	tilt motor 230V
2202224	tilt motor capacitor 8 µF
2201841	pan motor 230V
2202223	pan motor capacitor 6,3 µF
2201695	focus motor 230V
2201696	focus motor 115V
2200729	snap switch
2200591	push button blue
2200887	contact element

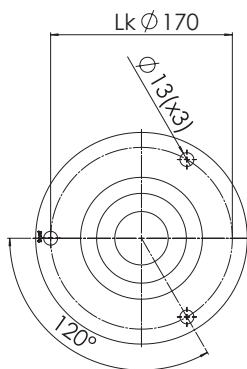
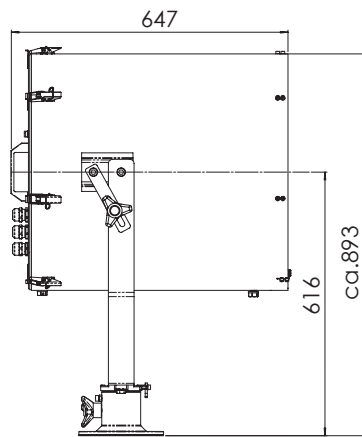


## Searchlight 450mm Xenon



Canis  
SS 450 XR

Canis  
SS 450 XD



### Technical Data

Name & No.	kg	Description
Canis SS 450 XD	59,00	<ul style="list-style-type: none"> <li>• IP 56</li> <li>• barrel, back plate and crutch made of stainless steel, base made of red cast brass, toughened soda-lime glass lens, parabolically lead coated silver glass mirror</li> <li>• all surfaces are white powdercoated RAL 9016</li> </ul>
Canis SS 450 XDP	71,50	<ul style="list-style-type: none"> <li>• without lamp</li> <li>• standard fitment: heater, thermostatically controlled</li> </ul>
Canis SS 450 XR	108,50	<ul style="list-style-type: none"> <li>• electric remote focus</li> </ul>
Canis SS 450 XRP	141,50	

### Variations

Name & No.	Mounting variations	Pan	Tilt	Description
Canis SS 450 XD	Deck	370°	-30°/+20°	<ul style="list-style-type: none"> <li>• manual operation of searchlight</li> </ul>
Canis SS 450 XDP	Deck / Pedestal	370°	-30°/+20°	<ul style="list-style-type: none"> <li>• as for ...D, but searchlight on pedestal 1m high</li> <li>• special heights on request</li> </ul>
Canis SS 450 XR	Remote control	370°	-30°/+20°	<ul style="list-style-type: none"> <li>• searchlight mounted on electric remote control unit complete with joystick control panel for flush console installation</li> </ul>
Canis SS 450 XRP	Remote control / Pedestal	370°	-30°/+20°	<ul style="list-style-type: none"> <li>• as for ...R , but searchlight on pedestal</li> </ul>

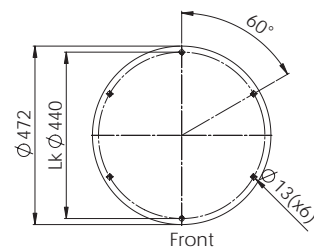
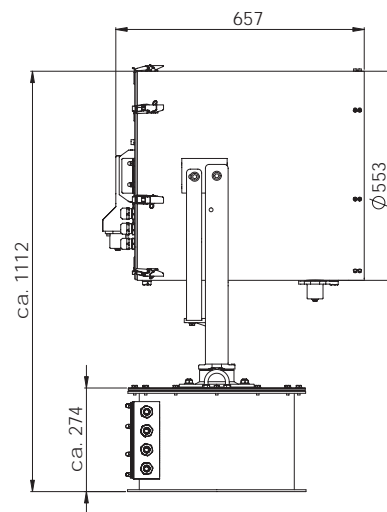
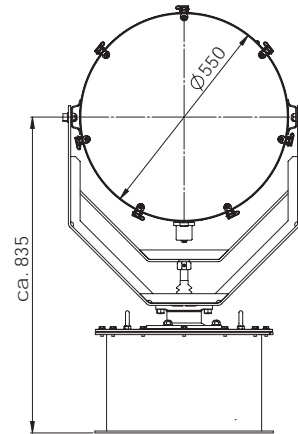


**Optical Performance**

Voltage	Watt	Peak Beam Candle Power	Range M 1 Lux	Divergence
115	1.000	50 x 10 <sup>6</sup>	7.070 m	1,3°
230	1.000	50 x 10 <sup>6</sup>	7.070 m	1,3°

**Spare Parts**

No.	Item
2200676	lens
2200679	sealing for lens
2201004	reflector
2200965	fan optional 230V or 115V
2200970	lampholder xenon
2235318	spare lamp xenon 230V 1.000W
2200883	joystick for control panel
2200879	panel gasket
2200858	tilt motor 110V
2200859	tilt motor capacitor 8 µF
2201695	pan motor 110V
2200729	pan motor capacitor 6,3 µF
2200591	tilt motor 230V
2200887	tilt motor capacitor 8 µF



SS 450 X  
3.000W

# Canis

Searchlights 450mm Xenon 3.000W

karl-dose.com/**Canis**



Canis  
SS 350 XR 3.000W

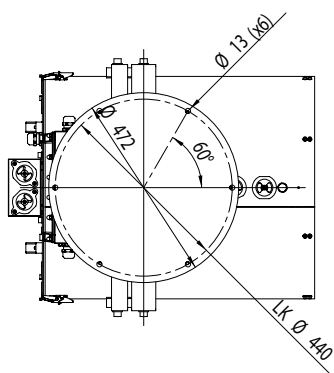
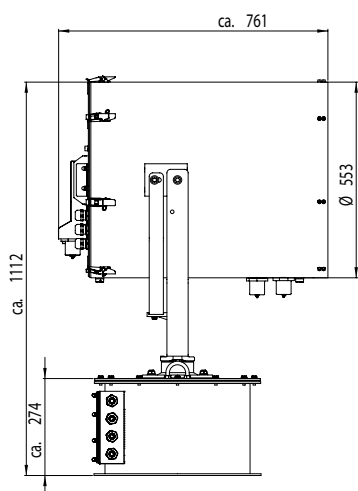
**NEW**  
3.000 Watt  
Xenon

## Technical Data

Name & No.	kg	Description
Canis SS 450 XD	59,00	<ul style="list-style-type: none"> <li>• IP 56</li> <li>• housing and crutch made of stainless steel, base made of RG5, toughened soda-lime glass lens, parabolically lead coated mirror</li> <li>• all surfaces white powdercoated RAL 9016</li> <li>• silicone gaskets</li> </ul>
Canis SS 450 XDP	71,50	
Canis SS 450 XR	108,50	<ul style="list-style-type: none"> <li>• without lamp</li> <li>• thermostatically controlled</li> <li>• electric remote focus</li> </ul>
Canis SS 450 XRP	141,50	<ul style="list-style-type: none"> <li>• also available with shutter</li> </ul>

## Variations

Name & No.	Mounting Variations	Pan	Tilt	Description
Canis SS 450 XD	Deck	370°	-30/+20	<ul style="list-style-type: none"> <li>• manual operation of searchlight</li> </ul>
Canis SS 450 XDP	Deck / Pedestal	370°	-30/+20	<ul style="list-style-type: none"> <li>• as for ...D, but searchlight on pedestal 1m high</li> <li>• special heights on request</li> </ul>
Canis SS 450 XR	Remote Control	370°	-30/+20	<ul style="list-style-type: none"> <li>• searchlight mounted on electric remote control unit complete with joystick, control panel for flush console installation</li> </ul>
Canis SS 450 XRP	Remote Control / Pedestal	370°	-30/+20	<ul style="list-style-type: none"> <li>• as for ...R, but searchlight on pedestal</li> </ul>

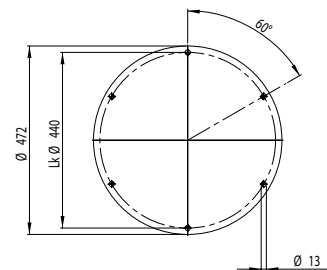
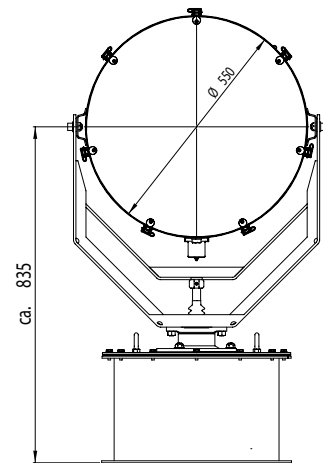


**Optical Performance**

Voltage	Wattage	Peak Beam Candle Power	Range M 1 Lux	Divergence
115	3.000	80 x 10 <sup>6</sup>	12.000	1,3°
230	3.000	80 x 10 <sup>6</sup>	12.000	1,3°

**Spare Parts**

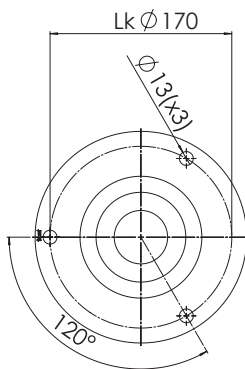
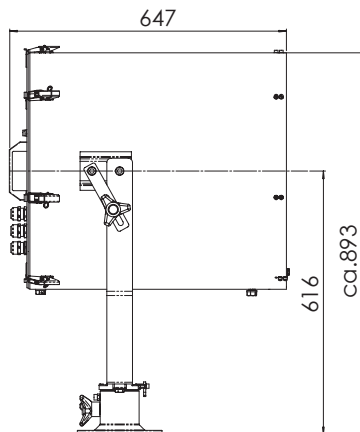
No.	Description
2200676	lens
2200679	sealing for lens
2202810	reflector
2200965	fan optional 230V or 115V
2200883	joystick for panel
2200879	panel gasket
2200858	tilt motor 230V
2200859	pan motor 230V
2202067	tilt motor 115V
2202068	pan motor 115V
2201695	focus motor 230V
2201696	focus motor 115V
2200729	snap switch
2200591	push button blue
2200887	contact element
2202223	pan motor capacitor 6,3 µF



## Ice Searchlight 450mm



Sirius  
SS 450 MD



### Technical Data

Name & No.	kg	Description
Sirius SS 450 MD	59,00	<ul style="list-style-type: none"> <li>• IP 56</li> <li>• barrel, back plate and crutch made of stainless steel, base made of red cast brass, toughened soda-lime glass lens, parabolically glassreflector</li> </ul>
Sirius SS 450 MDP	71,50	<ul style="list-style-type: none"> <li>• all surfaces are white powdercoated RAL 9016</li> <li>• without lamp</li> </ul>
Sirius SS 450 MR	108,50	<ul style="list-style-type: none"> <li>• standard fitment: two heater, thermostatically controlled against icing</li> </ul>
Sirius SS 450 MRP	141,50	<ul style="list-style-type: none"> <li>• electric remote focus</li> <li>• halogen metal vapor lamps as an ideal alternative to xenon searchlights</li> <li>• light efficiency twice as great compared to xenon searchlights</li> <li>• better reflection to ice through more light in short wave range</li> </ul>

### Variations

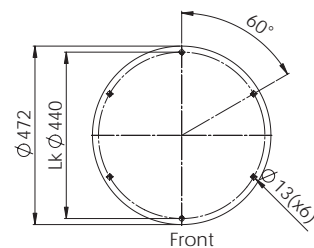
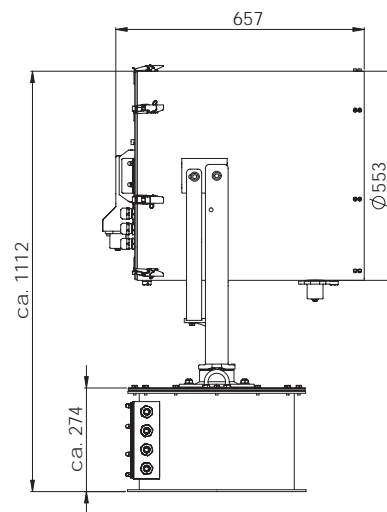
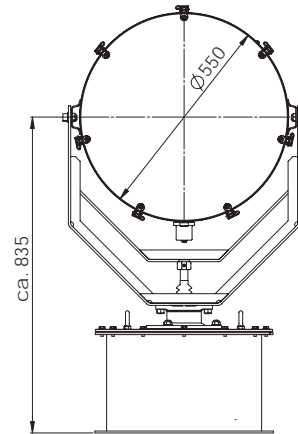
Name & No.	Mounting Variations	Pan	Tilt	Description
Sirius SS 450 MD	Deck	370°	-30°/+20°	<ul style="list-style-type: none"> <li>• manual operation of searchlight</li> </ul>
Sirius SS 450 MDP	Deck / Pedestal	370°	-30°/+20°	<ul style="list-style-type: none"> <li>• as for ...D, but searchlight on pedestal 1m high</li> <li>• special heights on request</li> </ul>
Sirius SS 450 MR	Remote Control	370°	-30°/+20°	<ul style="list-style-type: none"> <li>• searchlight mounted on electric remote control unit complete with joystick control panel for flush console installation</li> </ul>
Sirius SS 450 MRP	Remote Control / Pedestal	370°	-30°/+20°	<ul style="list-style-type: none"> <li>• as for ...R, but searchlight on pedestal</li> </ul>

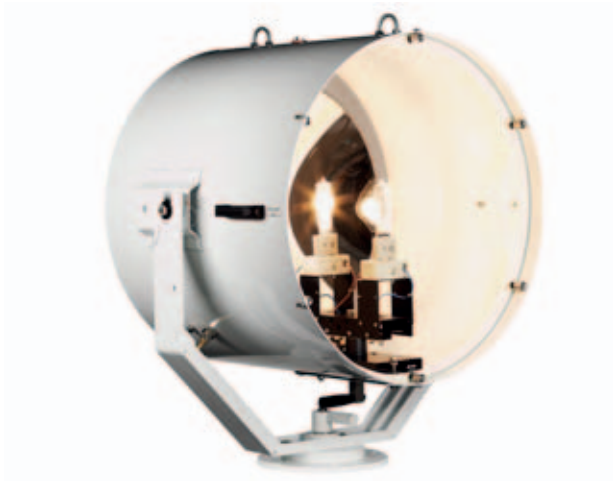
**Optical Performance**

Volt	Watt	Peak Beam Candle Power	Range M 1 Lux	Divergence
115	1.000	50 x 10 <sup>6</sup>	7.070 m	1,3°
230	1.000	50 x 10 <sup>6</sup>	7.070 m	1,3°

**Spare Parts**

No.	Description
2200676	lens
2200679	sealing for lens
2201004	reflector
2200965	fan optional 230V or 115V
2200883	joystick for control panel
2200879	panel gasket
2200858	tilt motor
2200859	pan motor
2201695	focus motor
2200729	snap switch
2200591	push button blue
2200887	contact element





Orion  
SKS

### Technical Data

Name & No.	kg	Description
Orion SKS	53,00	<ul style="list-style-type: none"> <li>• IP 67</li> <li>• barrel, crutch and base made of marine grade aluminium, toughened soda-lime glass lens</li> <li>• all surfaces are white powdercoated RAL 9016</li> <li>• lead coated silver glass mirror, split into two halves on hinged frame</li> <li>• administration of Lloyds Register acc. to Suez Canal Specifications, certificate no. LIV 201027/1</li> <li>• without lamp, technical regulation of two lamps</li> </ul>

### Variations

Name & No.	Mounting variations	Pan	Tilt	Description
Orion SKS	Deck	370°	-30°/+45°	• manual operation of searchlight

Waterproof persenning for Suez Canal Searchlight supplement charge.





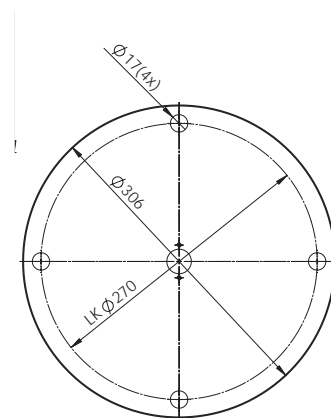
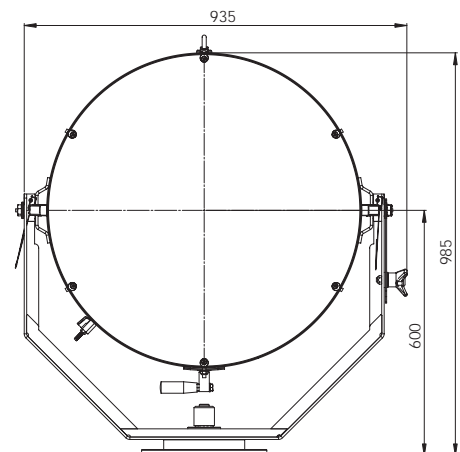
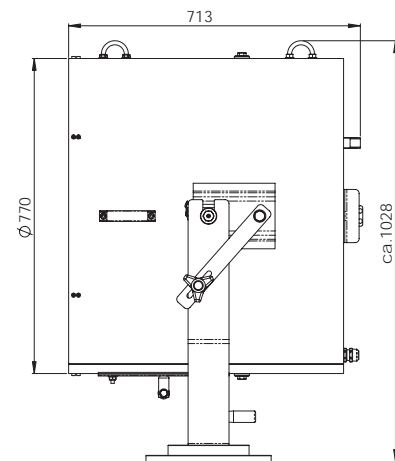
Persenning  
SKS

**Optical Performance**

Voltage	Watt	Norm./Standard
120	2.000	Suez Canal Authority article 29, edition february 1995, BSH test report: 4615/4040549/07(2007-03-16) GL type test report 7670076283655(2007-05-11)
240	2.000	
240	3.000	

**Spare Parts**

No.	Item
2200195	set of parabolic mirror split Ø450 F=200mm
2245010 G38	spare lamp 230V 2.000W
2266609 G38	spare lamp 230V 3.000W



## Searchlight Control Panel



## Technical Data

Name & No.	Volt	Hertz	kg	Description
SRP-01	24		1,20	<ul style="list-style-type: none"> <li>• IP 56</li> <li>• application: for use with remote control unit and the range of tungsten halogen, xenon and H.M.I. searchlight</li> <li>• finish is made of aluminium, black-anodised, non-magnetic and seawater resistant</li> <li>• joystick bi-directional in 8 positions</li> <li>• standard facilities: switching for power on/off, heater on/off and searchlight movement via joystick</li> <li>• optional facilities: Switching for remote focus and arc lamp ignition</li> <li>• need custom-made or have special requests, please contact us, we find a solution for you</li> </ul>
SRP-02	115	50/60	1,20	
SRP-03	220	50/60	1,20	
SRP-04	240	50/60	1,20	

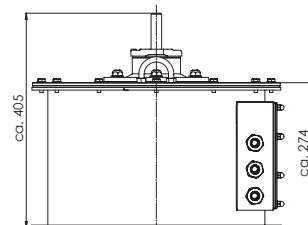
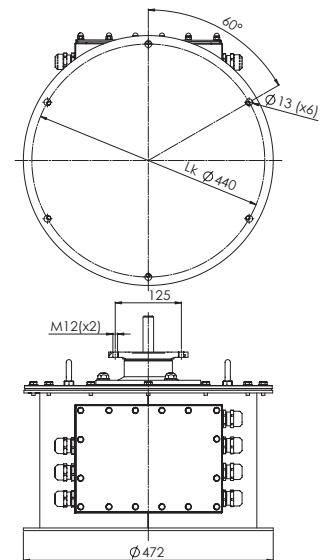


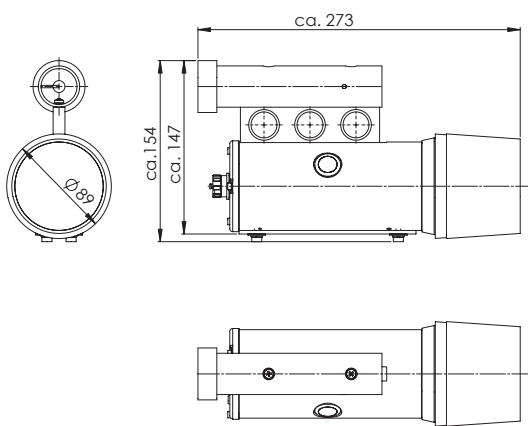


**Technical Data**

Name & No.	Volt	Hertz	kg	Description
SRU-01	24		49,00	• IP 56
SRU-02	115	50/60	49,00	• all white surfaces are powdercoated RAL 9016
SRU-03	220	50/60	49,00	• housing is made of stainless steel, lined with anti-condensation insulation
SRU-04	240	50/60	49,00	• 2x reduction motor driving Pan/Tilt mechanisms through chains and sprockets • connection are via external stainless steel junction box, two M24 cable glands provided

SRU



Draco  
HSL LED**Technical Data**

Name & No.	Watt	kg gesamt	Description
Draco HSL LED	3,5W	3,60	<ul style="list-style-type: none"> <li>• IP 56</li> <li>• body is made of marine grade aluminium, powdercoated RAL 9016, toughened soda-lime glass lens, super purity aluminium mirror</li> <li>• sighting tube is integrated, with rubber eyepiece</li> <li>• incl. high Power LED 3,5W</li> <li>• light intensity: 60.000 cd</li> <li>• range: 180m - 2 lux</li> <li>• signal range day: 2 NM / 3,6 km</li> <li>• 3 lithium-ion cells a 4,2 V</li> <li>• charger: 230/12 V 1,2 A</li> <li>• durability diode: 50.000 hrs. in continious operation (manufacturers data)</li> <li>• scope of delivery: carry case and batteries</li> </ul>

**Spare Parts**

No.	Description
2201809	battery charger 220V/0,35A
2201807	carry case
9200559	battery
2201758	reflector with housing and LED



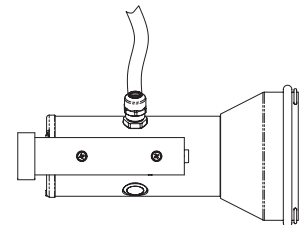
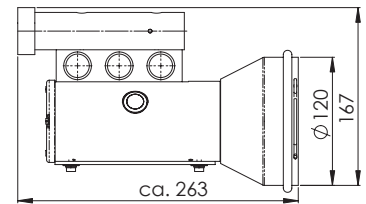
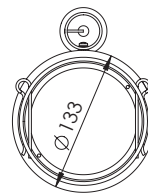
Draco  
HSL

**Technical Data**

Name & No.	Watt	kg	Description
Draco HSL 24V	50W	2,00	<ul style="list-style-type: none"> <li>• IP 56</li> <li>• body is made of marine grade aluminium, powdercoated RAL 9016, toughened soda-lime glass lens, super purity aluminium mirror</li> </ul>
Draco HSL 12V	50W	2,00	<ul style="list-style-type: none"> <li>• sighting tube is integrated, with rubber eyepiece</li> <li>• lamp 12V/50W included, mechanical shutter</li> <li>• scope of delivery: three spare lamps, three coloured filter, carry case and batteries</li> </ul>

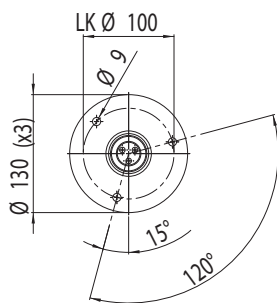
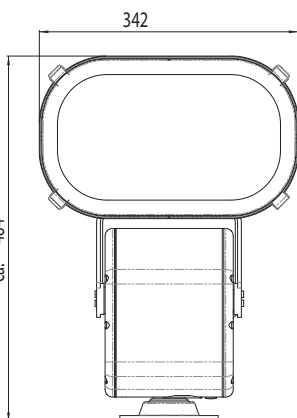
**Spare Parts**

No.	Description
2201405	battery charger
2200617	carry case
2200619	battery
2200623	transformator 120V or 240V AC 50/60Hz
2200595	spare Lamp 12V/50W
2200615	filter red
2200608	filter green
2200616	filter clear





MUSCA SSV7 R



## Technical Data

Name & No.	kg	Description
Musca SSV 5 R	27,00	<ul style="list-style-type: none"> <li>IP 67</li> <li>housing, glass holding frame, latches and brackets made of stainless steel, hard glass pane, resistant against temperature changes</li> </ul>
Musca SSV 5 RP	30,00	<ul style="list-style-type: none"> <li>housing white powdercoated RAL 9016, internal surfaces are optical matt black</li> </ul>
Musca SSV 7 R	28,00	<ul style="list-style-type: none"> <li>cable gland: M18 x 1.5 (IP 68)</li> <li>voltage: 85-264V AC, 12-375V DC, 24V DC</li> <li>5 x or 7 x High Power LED modules</li> </ul>
Musca SSV 7 RP	31,00	<ul style="list-style-type: none"> <li>ambient temperature: -20°C - +40°C</li> <li>light intensity 100m: approx. 70 lx (SSV 5) &amp; approx. 97 lx (SSV 7)</li> <li>illuminated area 100m: approx. Ø 5m</li> <li>luminous flux: approx. 1.500lm (SSV 5) / approx. 2.100 lm (SSV 7)</li> <li>durability diode: 50.000 hrs. (manufacturer's data) in continuous operation</li> <li>certificate: German Lloyd</li> </ul>
		Your Advantages
		<ul style="list-style-type: none"> <li>improved level of efficiency compared to halogen technology</li> <li>modular LED concept: bundles output beam telecentrically</li> <li>low energy consumption</li> <li>easy to use: lightweight and compact</li> <li>solid construction</li> <li>far reaching</li> <li>spray-water protected</li> <li>international recognized standard</li> </ul>

## Variations

Name & No.	Mounting Variations	Pan	Tilt	Description
Musca SSV 5 / 7 R	Remote Control	370°	-35/+20	<ul style="list-style-type: none"> <li>searchlight mounted on electric remote control unit complete with joystick, control panel for flush console installation or by radio control</li> </ul>
Musca SSV 5 / 7 RP	Remote Control / Pedestal	370°	-35/+20	<ul style="list-style-type: none"> <li>as for ...R, but searchlight on pedestal</li> </ul>
Musca SSV 5 / 7 M	Mobile			<ul style="list-style-type: none"> <li>searchlight with mounting bracket for carriage</li> </ul>

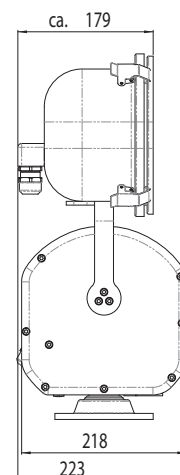
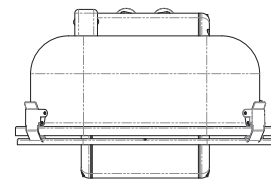
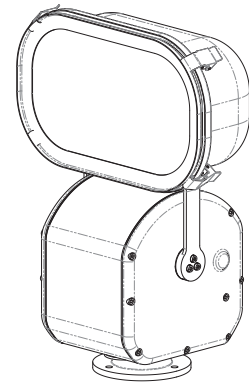


## Optical Performance

Typ	Wattage	Peak Beam Candle Power	Range M 1 Lux	Divergence
SSV 5	22	6,5 x 10 <sup>5</sup>	700	1,5°
SSV 7	29	9,5 x 10 <sup>5</sup>	900	1,5°

## Spare Parts

No.	Description
2200446	stainless steel glass-holding frame complete with u-profile silicone gasket and hard glass pane for Musca SSV 7
2200402	hard glass pane clear 215 x 405 x 4 mm for Musca SSV 7
2200436	front silicone gasket 223 x 413 mm for Musca SSV 7
2200445	stainless steel glass-holding frame complete with u-profile silicone gasket and hard glass pane for Musca SSV 5
2200425	hard glass pane clear 200 x 325 x 4 mm for Musca SSV 5
2202829	front silicone gasket 209 x 338 mm for Musca SSV 5
2200883	joystick for panel
2200879	panel gasket
2200705	tilt motor 24V DC
2200705	pan motor 24V DC
2201420	tilt motor 230V
2201392	pan motor 230V
2201746	tilt motor 110V
2201746	pan motor 110V
2200729	snap switch
2200591	push button blue
2200887	contact element
2202154	LED module, contains LED, parabolic glass mirror and housing
9201121	constant current regulator
9201346	ballast unit 110V/230V
9201350	ballast unit 24V

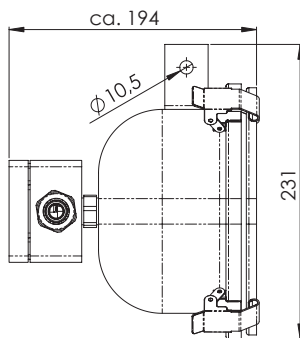
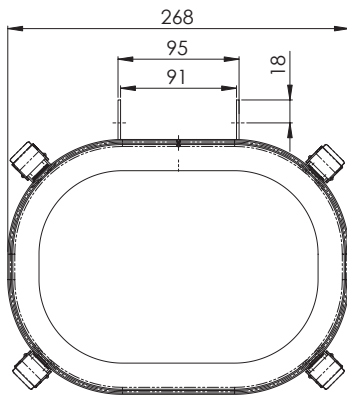
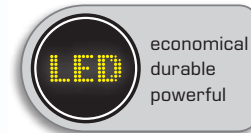




Auriga  
VLED200 white



Auriga  
VLED200 red



### Technical Data

Name & No.	Wattage	kg	Description
Auriga VLED200 white	18W	4,40	<ul style="list-style-type: none"> <li>• IP 67</li> <li>• housing, glass holding frame, latches and brackets made of stainless steel, hard glass pane, resistant against temperature changes</li> <li>• housing white powdercoated RAL 9016</li> <li>• cable gland: M 18 x 1,5 (IP 68)</li> <li>• voltage: 85-264V AC, 12-375V DC, 24V DC</li> <li>• 14 x High Power LED modules</li> <li>• light colour: 6300K</li> <li>• ambient temperature: -20°C - +40°C</li> <li>• light intensity: approx. 80 lx / 10 m</li> <li>• illuminated area: approx. ø 4,4 m</li> <li>• luminous flux: approx. 1.400 lm</li> <li>• beam angle: 25°</li> <li>• also available with beam angle of 80°</li> </ul>
Auriga VLED200 red	15W	4,40	<ul style="list-style-type: none"> <li>• as above, but with red LED (15W)</li> </ul>

### Spare Parts

No.	Description
2200401	hard glass pane
2202836	front silicone gasket
9201159	ballast unit 115V / 230V
9201161	ballast unit 24V
9201171	LED constant current
2202486	LED plate white
2202364	LED plate red






Auriga  
VLED1.000

**NEW**  
35 Watt  
wide beam

economical  
durable  
powerful

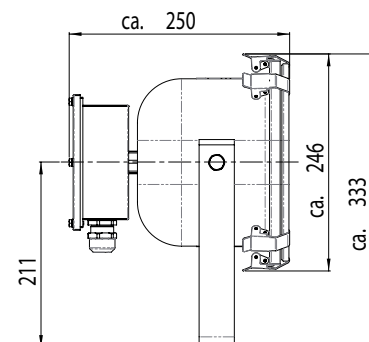
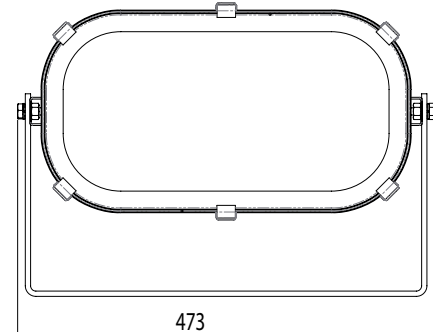
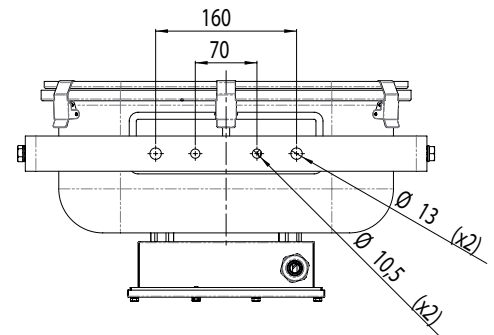


**Technical Data**

Name & No.	Wattage	kg	Description
Auriga VLED1.000	35W	13,5	<ul style="list-style-type: none"> <li>• IP 67</li> <li>• housing, glass holding frame, latches and brackets made of stainless steel, hard glass pane, resistant against temperature changes</li> <li>• housing white powdercoated RAL 9016</li> <li>• cable gland: M 18 x 1,5 (IP 68)</li> <li>• voltage: 85-264V AC, 12-375V DC, 24V DC</li> <li>• 28 x High Power LED modules</li> <li>• light colour: 6300K</li> <li>• ambient temperature: -20°C - +40°C</li> <li>• light intensity: approx. 160 lx / 10 m</li> <li>• illuminated area: approx. ø 5 m</li> <li>• approx. 100 lm / LED at 350 mA</li> <li>• luminous flux: approx. 2.800 lm</li> </ul>

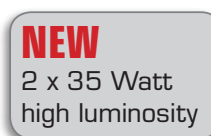
**Spare Parts**

No.	kg	Description
2200446	1,70	stainless steel glass-holding frame complete with u-profile silicone gasket and hard glass pane
2200402	1,30	hard glass pane clear 215 x 405 x 4 mm
2200436	0,20	front silicone gasket 223 x 413 mm
2200339		ballast unit
9201346		aluminium box with constant current
2202775		LED plate right and optics
2202487		LED plate left and optics



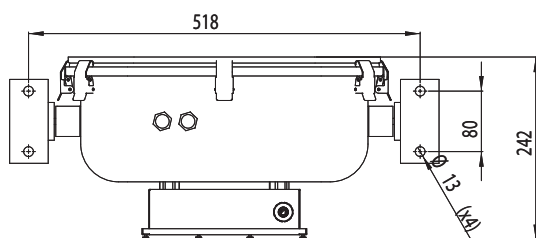
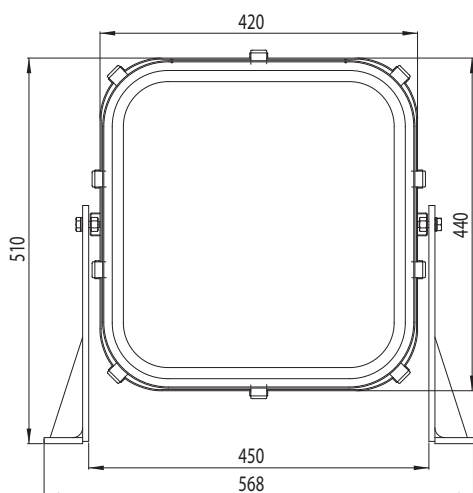


Auriga  
VLED2.000



### Technical Data

Name & No.	Wattage	kg	Description
Auriga VLED2.000	2 x 35W	28,00	<ul style="list-style-type: none"> <li>• IP 67</li> <li>• LED floodlight with 2 x 28 LEDs</li> <li>• housing, glass holding frame, latches and brackets made of stainless steel, hard glass pane, resistant against temperature changes</li> <li>• housing white powdercoated RAL 9016</li> <li>• light colour: 6300K</li> <li>• light intensity: approx. 320 lx / 10 m</li> <li>• luminous flux: approx. 5.600 lm</li> </ul>



### Spare Parts

No.	kg	Description
VN1200GL	3,40	stainless steel glass-holding frame complete with u-profile silicone gasket and hard glass pane
VN1200G	2,50	hard glass pane clear 405 x 425 x 4mm
VN1200D	0,30	silicone gasket 413 x 433mm
2202487	0,145	LED plates left
2202775	0,145	LED plates right
9201168		electronic ballast unit 230V/115V
2202491		constant current





Halogen Stainless Steel Floodlights 200W



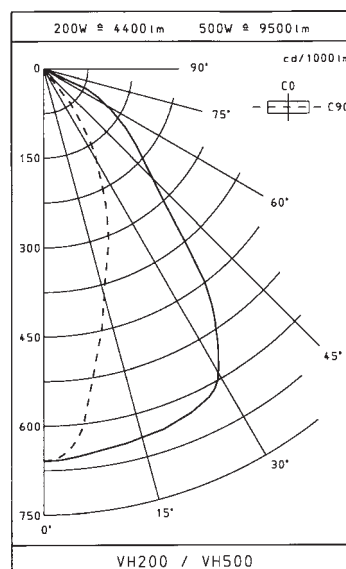
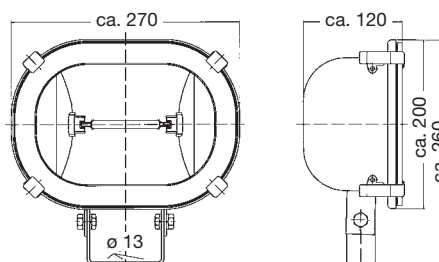
Hydrus  
VH200

**Technical Data**

Name & No.	Watt	kg	Description
Hydrus VH200	200W	4,40	<ul style="list-style-type: none"> <li>• IP 67</li> <li>• casing, glass holding frame, latches and brackets made of stainless steel, powder-coated RAL 9018, clear hard glass pane, resistant against temperature changes</li> <li>• M18x1,5 (IP 68)</li> <li>• lampholder: R7s</li> <li>• 230V / 24V</li> </ul>

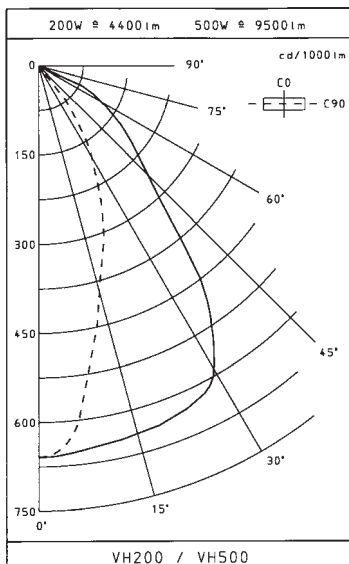
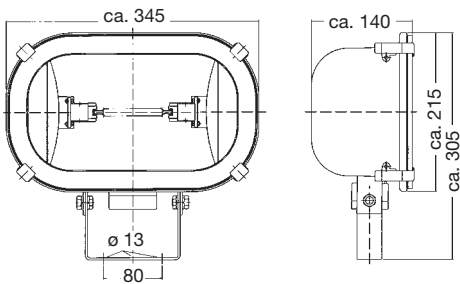
**Spare Parts**

No.	kg	Description
9200233	0,05	halogen-lamp 200W 230V length 117,6mm
H200/24	0,05	halogen-lamp 200W/24V
VH200GL	1,20	stainless steel glass-holding frame complete with u-profile silicone gasket and hard glass pane
VH200G	0,90	hard glass pane 185 x 253 x 4mm
VH200D	0,20	u-profile silicone gasket 194 x 262mm





Hydrus  
VH500



### Technical Data

Name & No.	Watt	kg	Description
Hydrus VH500	500W	4,80	<ul style="list-style-type: none"> <li>• IP 67</li> <li>• casing, glass holding frame, latches and brackets made of stainless steel, powdercoated RAL 9018, hard glass pane, resistant against temperature changes</li> <li>• cable gland: M24x1,5 (IP 68)</li> <li>• lampholder: R7s</li> <li>• 230V</li> </ul>

### Spare Parts

No.	kg	Description
9200330	0,05	halogenlamp 400W ECO/230V
VH500GL	1,40	stainless steel glass-holding frame complete with u-profile silicone gasket and hard glass pane
VH500G	1,00	hard glass pane 200 x 325 x 4mm
VH500D	0,20	u-profile silicone gasket 209 x 338mm
475	0,02	pair of lampholder R7s

Halogen Stainless Steel Floodlights 1000W



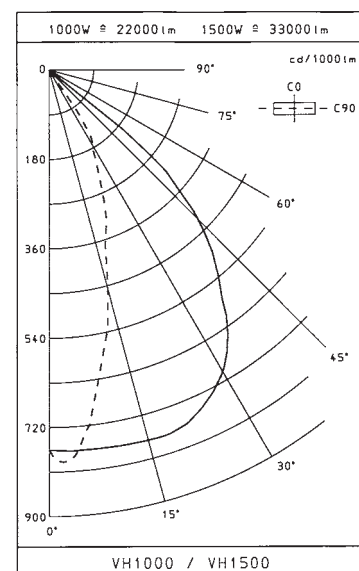
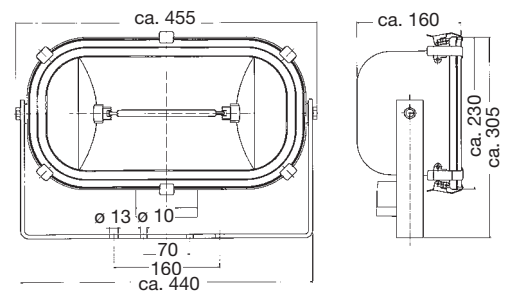
**Technical Data**

Name & No.	Watt	kg	Description
Hydrus VH1000	1.000W	6,50	<ul style="list-style-type: none"> <li>• IP 67</li> <li>• casing, glass holding frame, latches and brackets made of stainless steel, powdercoated RAL 9018, hard glass pane, resistant against temperature changes</li> <li>• cable gland: M24x1,5 (IP 68)</li> <li>• lampholder: R7s</li> <li>• 230V</li> </ul>

**Spare Parts**

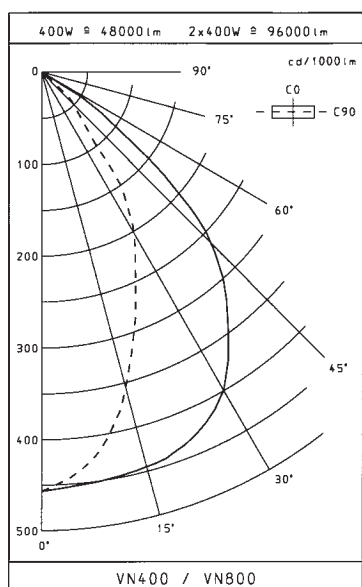
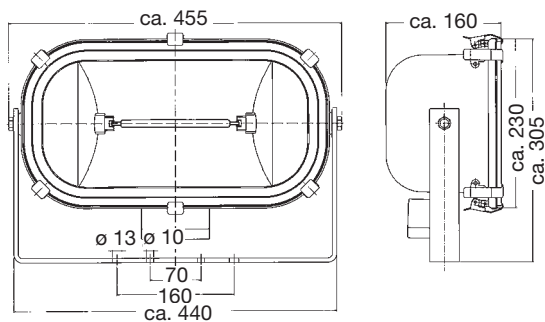
No.	kg	Description
9200234	0,06	halogenlamp 1.000W/230V length 189,1mm
VH1000GL	1,70	stainless steel glass-holding frame complete with u-profile silicone gasket and hard glass pane
VH1000G	1,30	hard glass pane 215 x 405 x 4mm
VH1000D	0,20	silicone gasket 223 x 413mm

Hydrus  
VH1000





Hydrus  
VHPI400



### Technical Data

Name & No.	Watt	kg	Description
Hydrus VHPI400	400W	7,40	<ul style="list-style-type: none"> <li>floodlight for metal halide lamp with branching box and ignitor</li> <li>IP 67 acc. EN 60529</li> <li>casing, glass-holding frame, latches and bracket made out of stainless steel, powdercoated RAL9018 (casing), hard glass pane resistant against temperature changes</li> <li>cable gland: M24x1.5 (IP 68)</li> <li>lampholder: E40</li> <li>230V</li> </ul>

### Spare Parts

No.	kg	Description
VN400GL	1,70	stainless steel glass-holding frame complete with u-profile silicone gasket and hard glass pane
VN400G	1,30	hard glass pane 405x215x4mm
VN400D	0,20	u-profile silicone gasket 413x223mm
470	0,25	lampholder E40

An extern ballast unit is necessary for operation.



Hydrus  
VHPI800

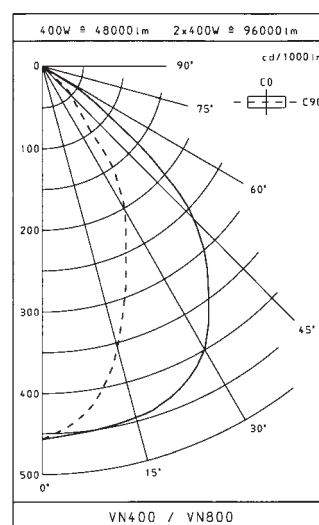
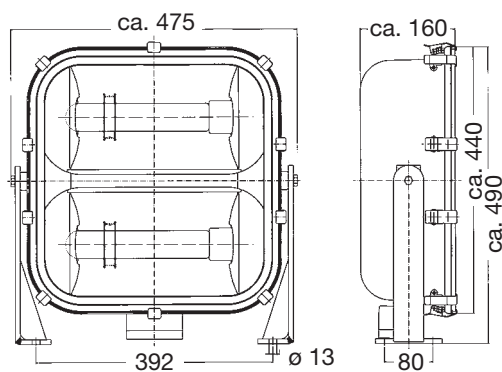
**Technical Data**

Name & No.	Watt	kg	Description
Hydrus VHPI800	2 x 400W	13,50	<ul style="list-style-type: none"> <li>floodlight for metal halide lamp with branching box and ignitor</li> <li>IP 67 acc. EN 60529</li> <li>casing, glass-holding frame, latches and bracket made out of stainless steel, powdercoated RAL9018 (casing), hard glass pane resistant against temperature changes</li> <li>cable gland: M24x1.5 (IP 68)</li> <li>lampholder: 2 x E40</li> <li>230V</li> </ul>

**Spare Parts**

No.	kg	Description
VN800GL	3,40	stainless steel glass-holding frame complete with u-profile silicone gasket and hard glass pane
VN800G	2,50	hard glass pane 405x425x4mm
VN800D	0,30	u-profile silicone gasket 413x433mm
470	0,25	lampholder E40

An extern ballast unit is necessary for operation.



VN400

# Hydrus

Stainless Steel HPS Floodlight 400W

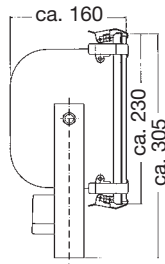
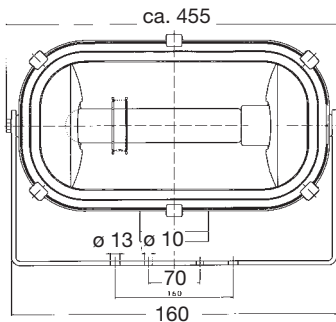
karl-dose.de/**Hydrus**



Hydrus  
VN400

## Technical Data

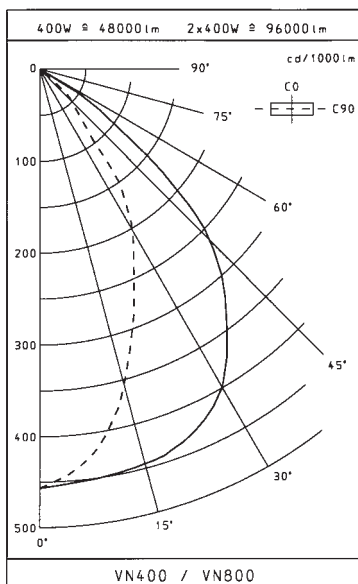
Name & No.	Watt	kg	Description
Hydrus VN400	400W	7,40	<ul style="list-style-type: none"> <li>floodlight for metal halide lamp with branching box</li> <li>IP 67</li> <li>casing, glass-holding frame, latches and bracket made out of stainless steel, powdercoated RAL9018 (casing), hard glass pane resistant against temperature changes</li> <li>cable gland: M24x1.5 (IP 68)</li> <li>lampholder: E40</li> <li>230V</li> </ul>



## Spare Parts

No.	kg	Description
VN400GL	1,70	stainless steel glass-holding frame complete with u-profile silicone gasket and hard glass pane
VN400G	1,30	hard glass pane 405x215x4mm
VN400D	0,20	u-profile silicone gasket 413x223mm
470	0,25	lampholder E40

An extern ballast unit is necessary for operation.



Stainless Steel HPS Floodlight 600W



**Technical Data**

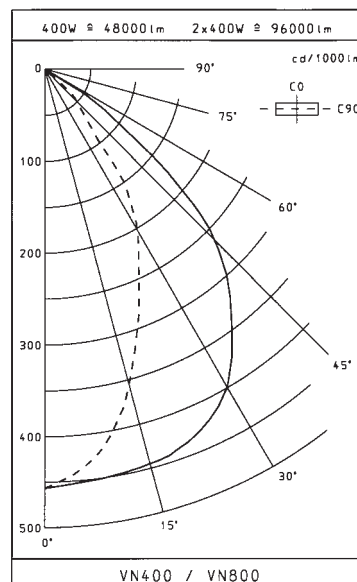
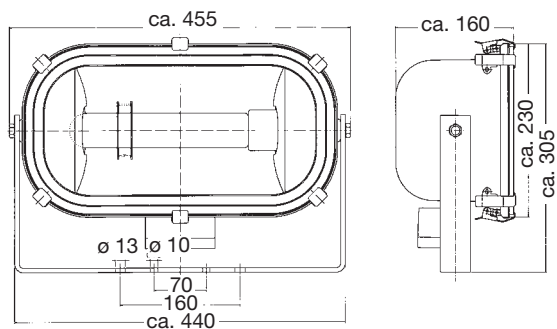
Name & No.	Watt	kg	Description
Hydrus VN600	600W	7,40	<ul style="list-style-type: none"> <li>• floodlight for metal halide lamp with branching box</li> <li>• IP 67</li> <li>• casing, glass-holding frame, latches and bracket made out of stainless steel, powdercoated RAL9018 (casing), hard glass pane resistant against temperature changes</li> <li>• cable gland: M24x1.5 (IP 68)</li> <li>• lampholder: E40</li> <li>• 230V</li> </ul>

**Spare Parts**

No.	kg	Description
VN600GL	1,70	stainless steel glass-holding frame complete with u-profile silicone gasket and hard glass pane
VN600G	1,30	hard glass pane 405x215x4mm
VN600D	0,20	u-profile silicone gasket 413x223mm
470	0,25	lampholder E40

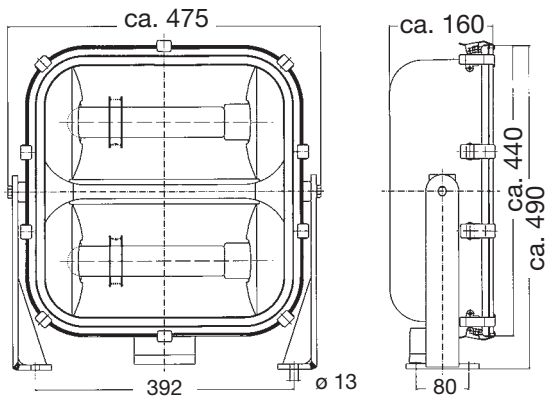
An extern ballast unit is necessary for operation.

Hydrus VN600





Hydrus  
VN800



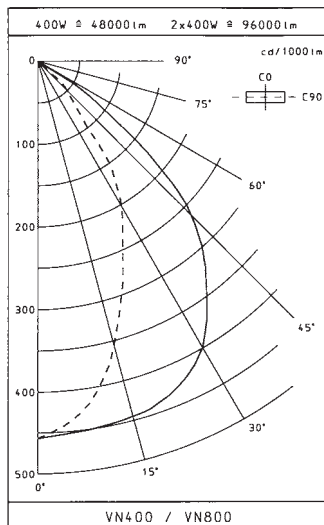
### Technical Data

Name & No.	Watt	kg	Description
Hydrus VN800	2 x 400W	13,50	<ul style="list-style-type: none"> <li>floodlight for metal halide lamp with branching box</li> <li>IP 67</li> <li>casing, glass-holding frame, latches and bracket made out of stainless steel, powdercoated RAL9018 (casing), hard glass pane resistant against temperature changes</li> <li>cable gland: M24x1.5 (IP 68)</li> <li>lampholder: 2 x E40</li> <li>230V</li> </ul>

### Spare Parts

No.	kg	Description
VN800GL	3,40	stainless steel glass-holding frame complete with u-profile silicone gasket and hard glass pane
VN800G	2,50	hard glass pane 405x425x4mm
VN800D	0,30	u-profile silicone gasket 413x433mm
470	0,25	lampholder E40

An extern ballast unit is necessary for operation.







Hydrus  
VN1200

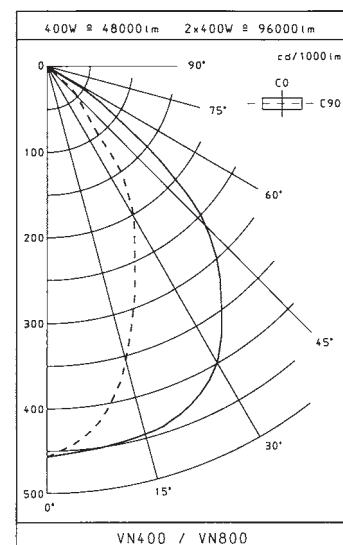
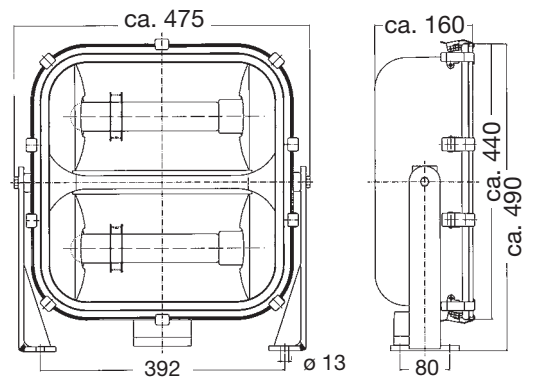
**Technical Data**

Name & No.	Watt	kg	Description
Hydrus VN1200	2 x 600W	13,50	<ul style="list-style-type: none"> <li>• floodlight for metal halide lamp with branching box</li> <li>• IP 67</li> <li>• casing, glass-holding frame, latches and bracket made out of stainless steel, powdercoated RAL9018 (casing), hard glass pane resistant against temperature changes</li> <li>• cable gland: M24x1.5 (IP 68)</li> <li>• lampholder: 2 x E40</li> <li>• 230V</li> </ul>

**Spare Parts**

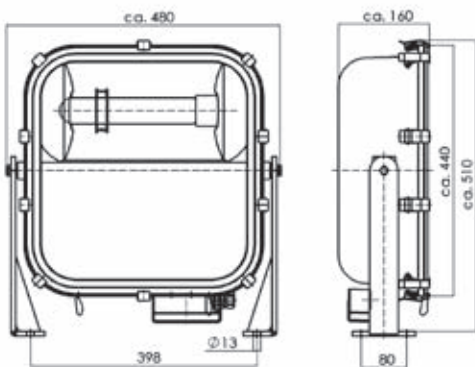
No.	kg	Description
VN1200GL	3,40	stainless steel glass-holding frame complete with u-profile silicone gasket and hard glass pane
VN1200G	2,50	hard glass pane 405x425x4mm
VN1200D	0,30	u-profile silicone gasket 413x433mm
470	0,25	lampholder E40

An extern ballast unit is necessary for operation.





Hydrus  
VIB400

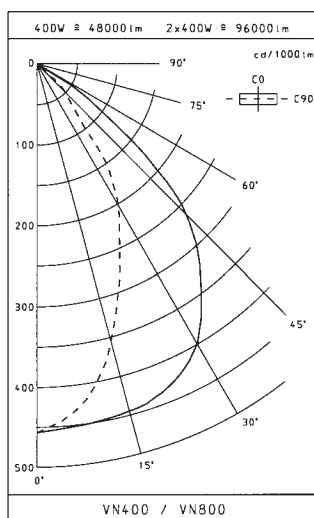


### Technical Data

Name & No.	Watt	kg	Description
Hydrus VIB400	400W	13,50	<ul style="list-style-type: none"> <li>floodlight for metal halide lamp with branching box, ignitor and integrated ballast unit</li> <li>IP 67</li> <li>casing, glass-holding frame, latches and bracket made out of stainless steel, powdercoated RAL9018 (casing), hard glass pane resistant against temperature changes</li> <li>cable gland: M24x1.5 (IP 68)</li> <li>lampholder: E40</li> <li>50Hz / 60Hz</li> <li>230V</li> </ul>

### Spare Parts

No.	kg	Description
VIB400GL	1,70	stainless steel glass-holding frame complete with u-profile silicone gasket and hard glass pane
VIB400G	1,30	hard glass pane 405x425x4mm
VIB400D	0,20	u-profile silicone gasket 413x433mm
470	0,25	lampholder E40

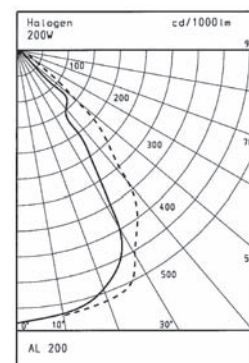
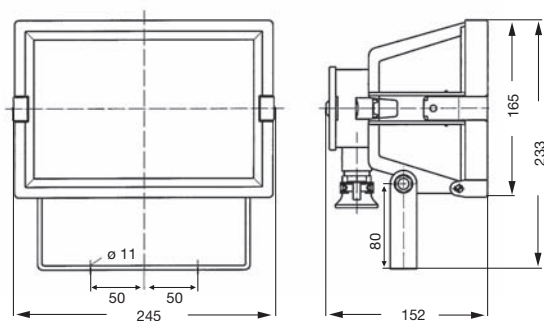




Perseus  
AL200

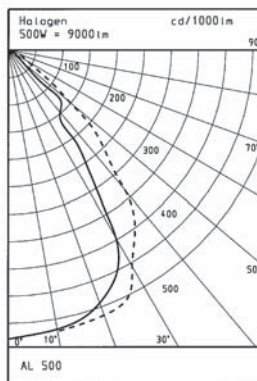
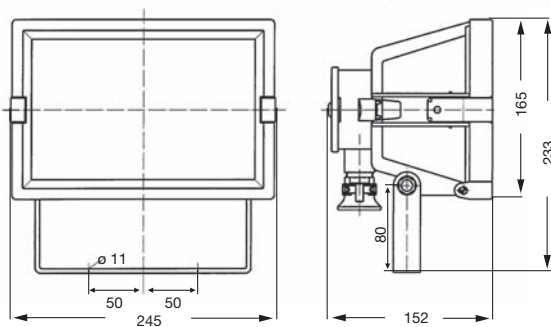
**Technical Data**

Name & No.	Watt	kg	Description
Perseus AL200	200W	2,10	<ul style="list-style-type: none"> <li>• IP 66</li> <li>• casing and glass-holding frame made of AlMgSi12, high grade special coating RAL 9018 additionally varnished</li> <li>• hinged, hard glass pane, resistant against temperature changes</li> <li>• with branching box</li> <li>• lampholder: R7s</li> <li>• 24V</li> </ul>
Perseus AL200S	200W	3,50	<ul style="list-style-type: none"> <li>• IP 66</li> <li>• casing and glass-holding frame made of AlMgSi12, high grade special coating RAL 9018 additionally varnished</li> <li>• hinged, hard glass pane, resistant against temperature changes.</li> <li>• with branching box</li> <li>• lampholder: R7s</li> <li>• 24V</li> <li>• swivelling</li> </ul>



**Spare Parts**

No.	kg	Description
H200/24	0,05	halogenlamp 200W/24V
AL200 GL	0,80	glass-holding frame made of AlMgSi12, high grade special coating (papyruswhite, RAL 9018), with glued in hard glass pane, resistant against temperature changes
2201426	0,10	pair of lampholder R7s

Perseus  
AL500**Technical Data**

Name & No.	Watt	kg	Description
Perseus AL500	500W	2,10	<ul style="list-style-type: none"> <li>• IP 66</li> <li>• casing and glass-holding frame made of AlMgSi12, high grade special coating RAL 9018, additionally varnished</li> <li>• hinged, hard glass pane, resistant against temperature change</li> <li>• with branching box</li> <li>• lampholder: R7s</li> <li>• 230V</li> </ul>
Perseus AL500S	500W	3,50	<ul style="list-style-type: none"> <li>• IP 66</li> <li>• casing and glass-holding frame made of AlMgSi12, high grade special coating RAL 9018, additionally varnished</li> <li>• hinged, hard glass pane, resistant against temperature change</li> <li>• with branching box</li> <li>• lampholder: R7s</li> <li>• 230V</li> <li>• swivelling</li> </ul>

**Spare Parts**

No.	kg	Description
9200330	0,05	halogenlamp 400W ECO 230V
AL500 GL	0,80	glass-holding frame made of AlMgSi12, high grade special coating (papyruswhite, RAL 9018), with glued in hard glass pane, resistant against temperature changes
2201426	0,10	pair of lampholder R7s

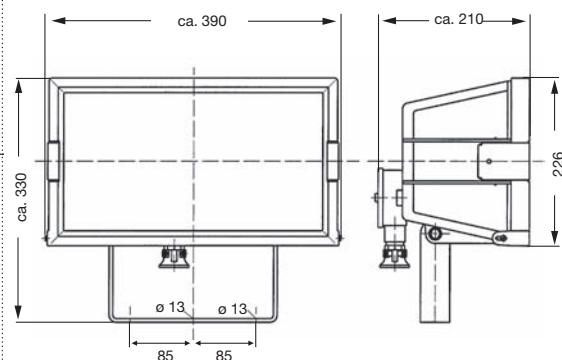
Halogen Floodlights Aluminium 1000W



**Technical Data**

Name & No.	Watt	kg	Description
Perseus AL1000	1.000W	4,30	<ul style="list-style-type: none"> <li>• IP 66</li> <li>• casing and glass-holding frame made of AlMgSi12, high grade special coating RAL 9018, additionally varnished, hinged, hard glass pane, resistant against temperature changes</li> <li>• with branching box</li> <li>• lampholder: R7s</li> <li>• 230V</li> </ul>
Perseus AL1000S	1.000W	5,70	<ul style="list-style-type: none"> <li>• IP 66</li> <li>• casing and glass-holding frame made of AlMgSi12, high grade special coating RAL 9018, additionally varnished, hinged, hard glass pane, resistant against temperature changes</li> <li>• with branching box</li> <li>• lampholder: R7s</li> <li>• 230V</li> <li>• swivelling</li> </ul>

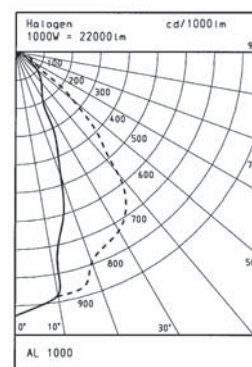
Perseus AL1000

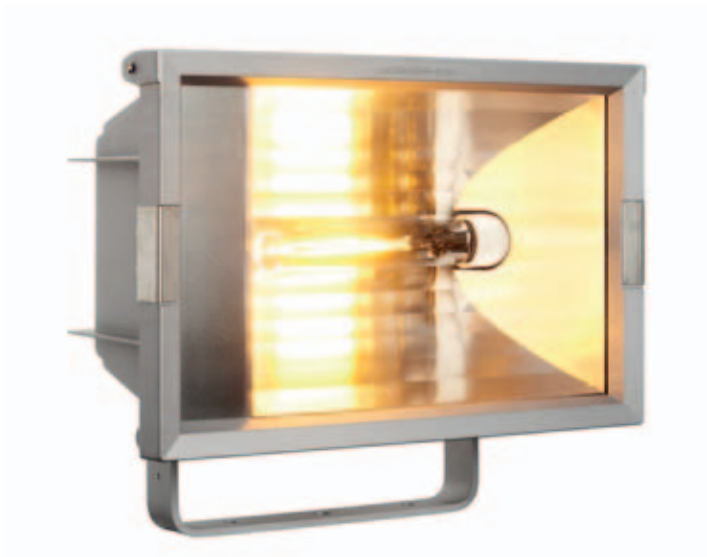


**Spare Parts**

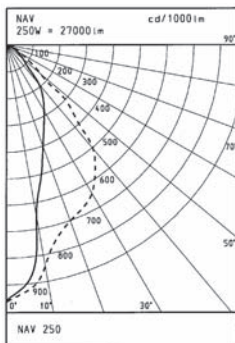
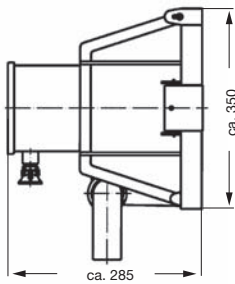
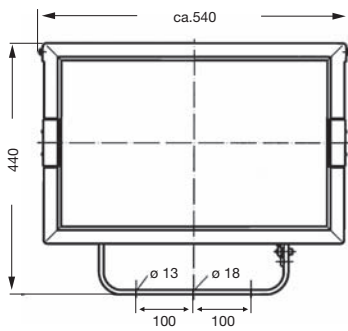
No.	kg	Description
9200234	0,06	halogenlamp 1.000W 230V length 189,1mm
AL1000 GL	1,30	glass-holding frame made of AlMgSi12, high grade special coating (papyruswhite, RAL 9018), with glued in hard glass pane, resistant against temperature changes
468	0,06	pair of lampholder R7s

for halogenlamp 750-1000W length 189mm, suitable also for halogenlamp 1.500W length 254mm by variable lampholder





Perseus  
NAV250



### Technical Data

Name & No.	Watt	kg	Description
Perseus NAV250	250W	15,80	<ul style="list-style-type: none"> <li>floodlight for high pressure sodium lamps with branching box and integrated ignition and ballast unit</li> <li>IP 67</li> <li>casing and glass-holding frame made of AlMgSi12, high grade special coating (papyruswhite, RAL9018), hinged hard glass pane, resistant against temperature changes</li> <li>lampholder: E40</li> <li>50Hz</li> <li>230V</li> </ul>

### Spare Parts

No.	kg	Description
AL400GL	1,60	glass-holding frame made of AlMgSi12, papyruswhite india rubber coated, with glued in hard glass pane, resistant against temperature changes

Also available for 60Hz, supplement charge.





Perseus  
NAV400

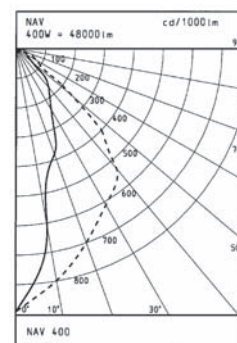
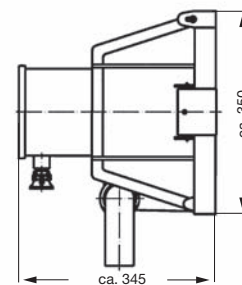
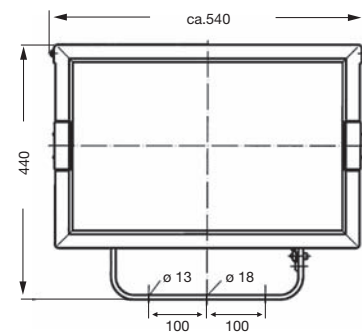
**Technical Data**

Name & No.	Watt	kg	Description
Perseus NAV400	400W	19,30	<ul style="list-style-type: none"> <li>floodlight for high pressure sodium lamps with branching box and integrated ignition and ballast unit</li> <li>IP 67</li> <li>casing and glass-holding frame made of AlMgSi12, high grade special coating (papyruswhite, RAL9018), hinged hard glass pane, resistant against temperature changes</li> <li>lampholder: E40</li> <li>50Hz</li> <li>230V</li> </ul>

**Spare Parts**

No.	kg	Description
AL400GL	1,60	glass-holding frame made of AlMgSi12, papyruswhite india rubber coated, with glued in hard glass pane, resistant against temperature changes

Also available for 60Hz, supplement charge.

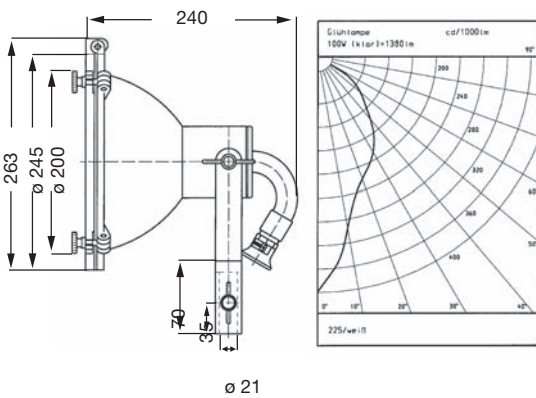




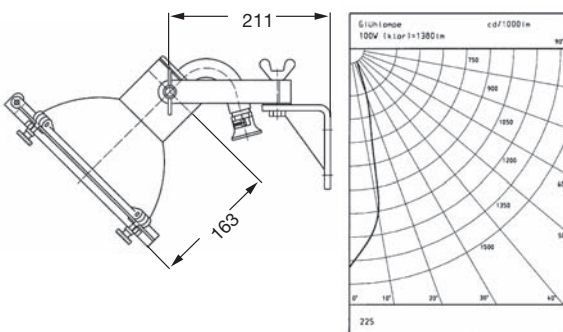
**Technical Data**

Name & No.	Watt	kg	Description
Corvas 225	100W	3,60	<ul style="list-style-type: none"> <li>• IP 56</li> <li>• brass casing, bent tube and fork-shaped holder but with reflector inside chromium plated, hard glass pane, resistant against temperature changes</li> <li>• without lampholder</li> <li>• optional lampholders: 452 E27 double bracket lampholder 460 B22 double bracket lampholder</li> <li>• 230V</li> </ul>
Corvas 225/H	100W	4,10	<ul style="list-style-type: none"> <li>• IP 56</li> <li>• brass casing, bent tube and fork-shaped holder but with reflector inside chromium plated, hard glass pane, resistant against temperature changes with multi teeth fork and bracket made of malleable cast iron</li> <li>• without lampholder</li> <li>• optional lampholders: 452 E27 double bracket lampholder 460 B22 double bracket lampholder</li> <li>• 230V</li> </ul>

Corvas 225



Corvas 225/H



**Spare Parts**

No.	kg	Description
368 K	0,38	hard glass pane 200x5mm

Polished products available for an extra charge.





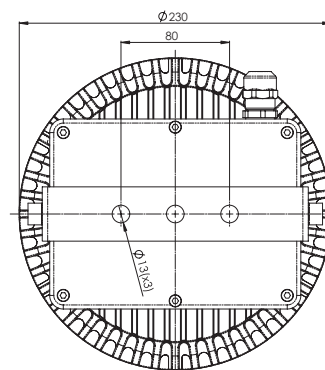
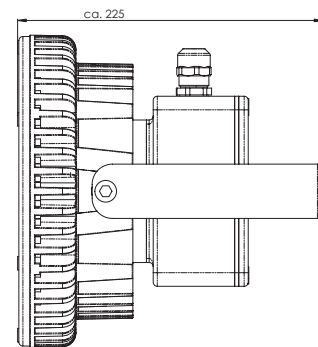


Pavo  
380LED

**Technical Data**

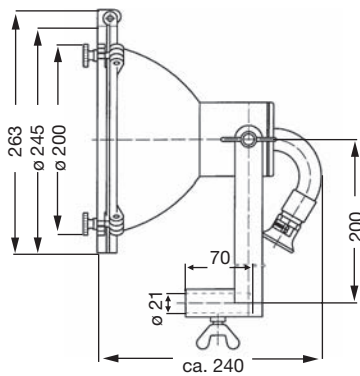
Name & No.	Watt	kg	Description
Pavo 380LED	80W	6,00	<ul style="list-style-type: none"> <li>• IP 56</li> <li>• casing and bracket made of seawater resistant aluminium, clear hard glass pane, resistant against temperature changes</li> <li>• 85-264V AC, 12-375V DC, 24V DC</li> <li>• light power: ca. 240 lm/LED</li> <li>• diode: 19 high power LED modules</li> <li>• input voltage: 85-264V AC/120-370V DC</li> <li>• without ballast 24V DC</li> <li>• illuminated area in 10m: approx. Ø 1,2m</li> <li>• luminous flux: approx. 1.000 lm</li> <li>• luminosity: approx. 8,5 x 104 cd</li> <li>• range 35 lux in 100m</li> <li>• light intensity in 10m: approx. 800 lx</li> <li>• round angle: 6,95°</li> <li>• with high power LED</li> <li>• improved level of efficiency compared to halogen technology</li> <li>• suitable for DC and AC voltage with ballast</li> <li>• compact and solid construction</li> </ul>

**Spare Parts on Request**

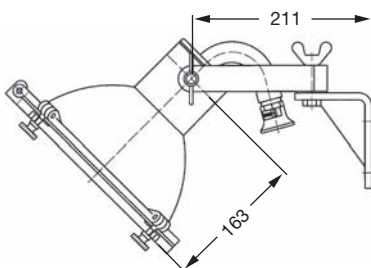




Corvas 380



Corvas 380/H



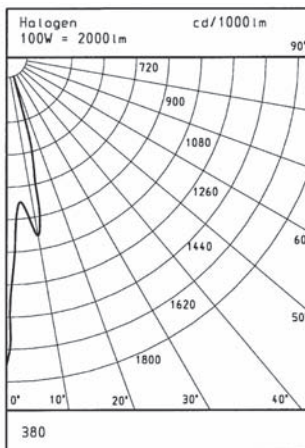
### Technical Data

Name & No.	Watt	kg	Description
Corvas 380	100W	5,10	<ul style="list-style-type: none"> <li>• IP 56</li> <li>• brass casing, bent tube and fork-shaped holder with copper reflector, inside chromium plated</li> <li>• hinged, structural hard glass pane, resistant against temperature changes</li> <li>• incl. lamp 100W/24V</li> <li>• GY6.35</li> <li>• 24V</li> </ul>
Corvas 380/H	100W	5,60	<ul style="list-style-type: none"> <li>• IP 56</li> <li>• brass casing, bent tube and fork-shaped holder with copper reflector, inside chromium plated</li> <li>• hinged, structural hard glass pane, resistant against temperature changes</li> <li>• incl. lamp 100W/24V and with multi teeth fork</li> <li>• GY6.35</li> <li>• 24V</li> </ul>

### Spare Parts

No.	kg	Description
469	0,02	lampholder GY 6.35 with 300mm silicone cable
383	0,01	halogenlamp 100W/24W, base 6.35
368 S	0,33	structural hard glass pane 200x5mm

Polished products available for an extra charge.





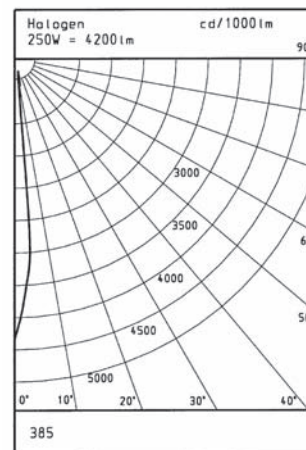
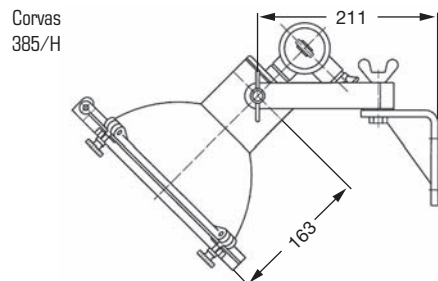
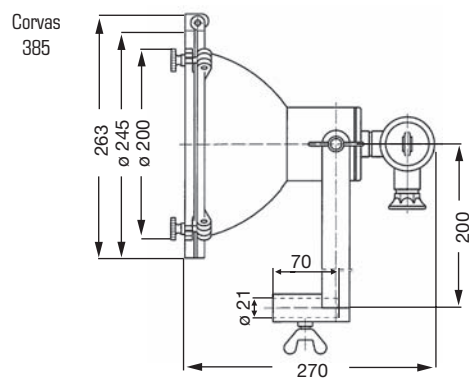
**Technical Data**

Name & No.	Watt	kg	Description
Corvas 385	250W	5,40	<ul style="list-style-type: none"> <li>• IP 56</li> <li>• brass casing and fork-shaped holder, with brass branching box, with copper reflector, inside chromium plated</li> <li>• hinged, hard glass pane, resistant against temperature changes</li> <li>• incl. lamp 250W/230V</li> <li>• lampholder: E27</li> <li>• 230V</li> </ul>
Corvas 385/H	250W	5,90	<ul style="list-style-type: none"> <li>• IP 56</li> <li>• brass casing and fork-shaped holder, brass branching box, copper reflector, inside chromium plated</li> <li>• hinged, hard glass pane, resistant against temperature changes</li> <li>• incl. lamp 250W/230V</li> <li>• lampholder: E27</li> <li>• 230V</li> </ul>

**Spare Parts**

No.	kg	Description
384	0,04	halogenlamp 250W/220V, base E27
368 K	0,38	hard glass pane 200x5mm
452	0,05	E27 double bracket lampholder

Polished products available for an extra charge.



1975  
1976

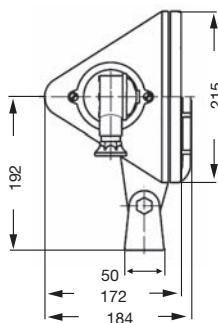
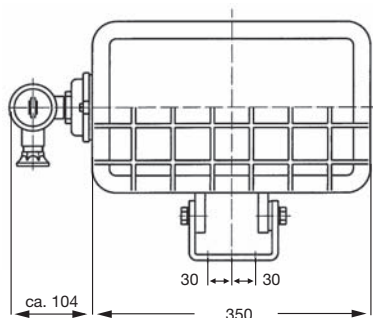
# Argo Navis

Red Cast Brass Floodlight

karl-dose.de/Argo Navis



Argo Navis  
1975



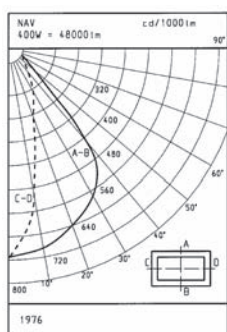
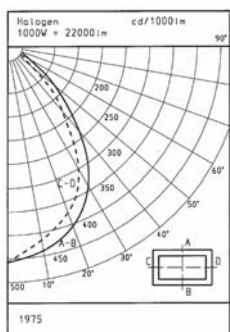
## Technical Data

Name & No.	Watt	kg	Description
Argo Navis 1975/500	500W	13,50	<ul style="list-style-type: none"> <li>• IP 56</li> <li>• casing with fins and cover made of red cast RG5,</li> <li>• glass-holding frame and branching box made of brass,</li> </ul>
Argo Navis 1975	1.000W	13,50	<ul style="list-style-type: none"> <li>• bracket made of malleable cast iron, hard glass pane,</li> <li>• resistant against temperature changes</li> <li>• lampholder support to be withdrawn sideways</li> <li>• lampholder: R7s</li> <li>• 230V</li> </ul>
Argo Navis 1976	1.000W	13,50	<ul style="list-style-type: none"> <li>• IP 56</li> <li>• casing with fins and cover made of red cast RG5,</li> <li>• glass-holding frame and branching box made of brass,</li> <li>• bracket made of malleable cast iron, hard glass pane,</li> <li>• resistant against temperature changes</li> <li>• lampholder support to be withdrawn sideways</li> <li>• lampholder: E40</li> <li>• 230V</li> </ul>

## Spare Parts

No.	kg	Description
9200234	0,06	halogenlamp 1.000W 230V R7s length 189,1mm
2200480	0,06	halogenlamp 1.000W 230V E40
371	0,87	hard glass pane 321x186x6mm
371/D	0,19	u-profile silicone gasket
468	0,06	pair of lampholder R7s

Glass-holding frame available with guard , supplement charge.





Argo Navis  
1976Z

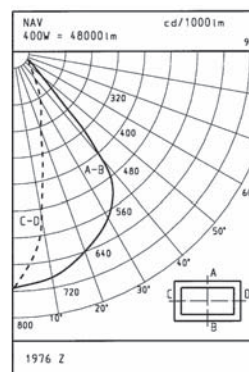
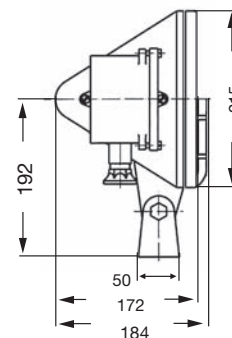
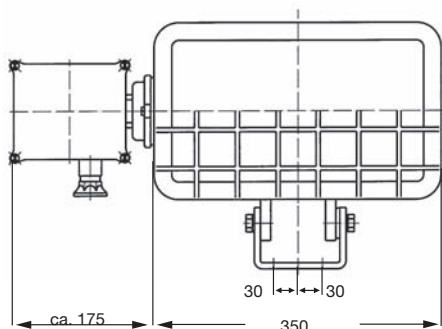
**Technical Data**

Name & No.	Watt	kg	Description
Argo Navis 1976Z	400W NAV	17,0	<ul style="list-style-type: none"> <li>• IP 56</li> <li>• casing with fins, cover and box for ignition unit made of red cast RG5, glass-holding frame with guard made of brass</li> <li>• without branching box, with venting connection and pressure tight cable gland</li> <li>• lampholder: E40</li> <li>• 230V</li> </ul>

**Spare Parts**

No.	kg	Description
371	0,87	hard glass pane 321x186x6mm
371/D	0,19	u-profile silicone gasket
457	0,25	E40 nipple-lampholder R 3/8"

connecting tubes and clamps are available as special accessories  
also available without guard



1977  
1978

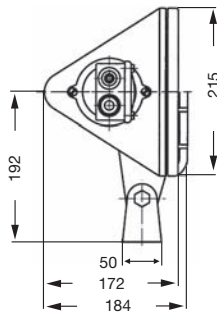
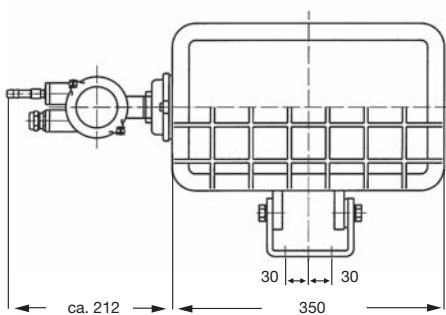
# Argo Navis

Docklights

karl-dose.de/**Argo Navis**



Argo Navis  
1977



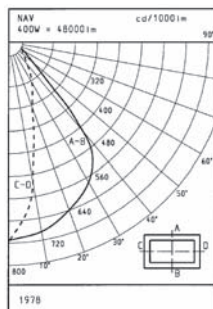
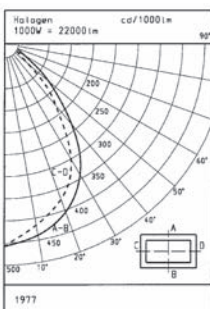
## Technical Data

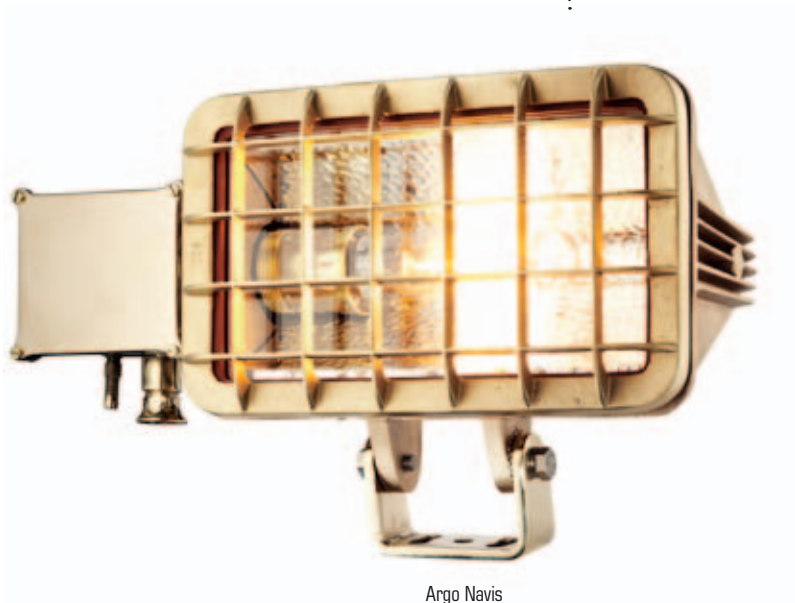
Name & No.	Watt	kg	Description
Argo Navis 1977	500W	15,00	<ul style="list-style-type: none"> <li>• IP 68</li> <li>• casing with fins and cover made of red cast RG5,</li> <li>• glass-holding frame with guard made of brass</li> <li>• without branching box</li> <li>• lampholder: R7s</li> <li>• 230V</li> <li>• heat insulated cable required</li> </ul>
Argo Navis 1978	1.000W	16,50	<ul style="list-style-type: none"> <li>• IP 68</li> <li>• casing with fins and cover made of red cast RG5,</li> <li>• glass-holding frame with guard made of brass</li> <li>• without branching box, with venting connection and pressure tight cable gland</li> <li>• lampholder: E40</li> <li>• 230V</li> </ul>

## Spare Parts

No.	kg	Description
371	0,87	hard glass pane 321x186x6mm
371/D	0,19	u-profile silicone gasket
457	0,25	E40 nipple-lampholder R 3/8"
468	0,06	pair of lampholder R7s

also available without guard





Argo Navis  
1978Z

**Technical Data**

Name & No.	Watt	kg	Description
Argo Navis 1978Z	400W NAV	18,00	<ul style="list-style-type: none"> <li>• IP 68</li> <li>• casing with fins, cover and box for ignition unit made of red cast RG5, glass-holding frame with guard made of brass</li> <li>• without branching box, with venting connection and pressure tight cable gland</li> <li>• lampholder: E40</li> <li>• 230V</li> </ul>

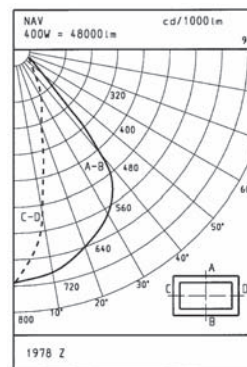
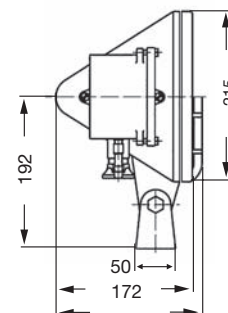
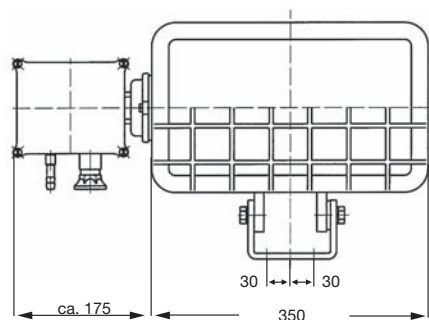
**Information**

- When switched off, the docklights 1977-1978/Z can be flooded up to a depth of 20 meters.
- In this case, the temperature changes resulting from switching off the lamps of no. 1978 and 1978/Z can cause negative air pressure in the relatively small floodlight housing. To avoid implosion, the housing must be enlarged by a venting connection to the outside air or to the ballast unit box.
- For this reason the docklights are designed with venting connections.

**Spare Parts**

No.	kg	Description
371	0,87	hard glass pane 321x186x6mm
371/D	0,19	u-profile silicone gasket
457	0,25	E40 nipple-lampholder R 3/8"

Connecting tubes and clamps are available as special accessories.  
also available without guard



381  
382

# Accessories

Bracket / Swivel Arm

karl-dose.de



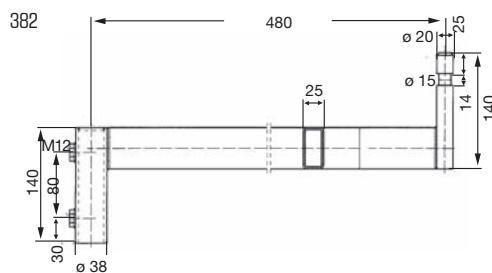
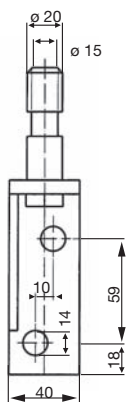
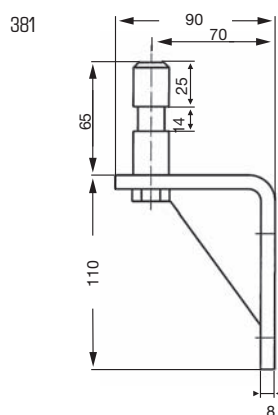
381



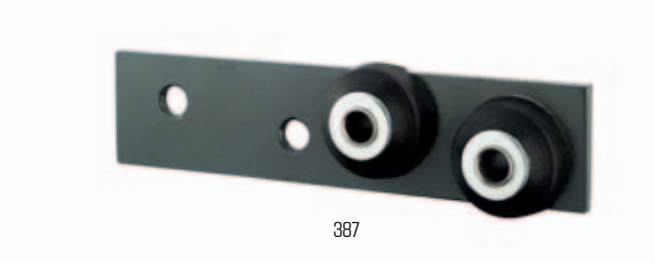
382

## Technical Data

Name & No.	kg	Description
381	1,20	• bracket for halogen floodlights 380 and 385, made of malleable cast iron
382	1,20	• swivel arm, made of stainless steel • to be used only together with bracket 386







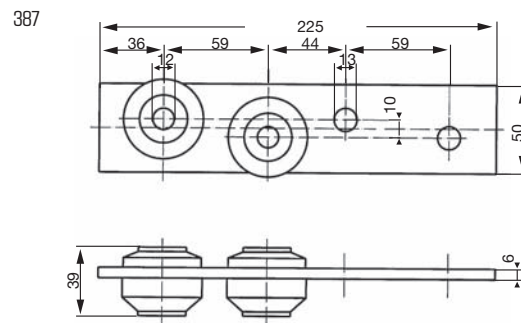
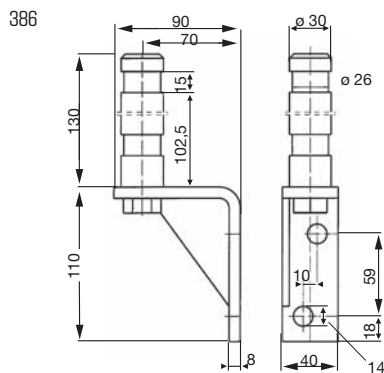
387

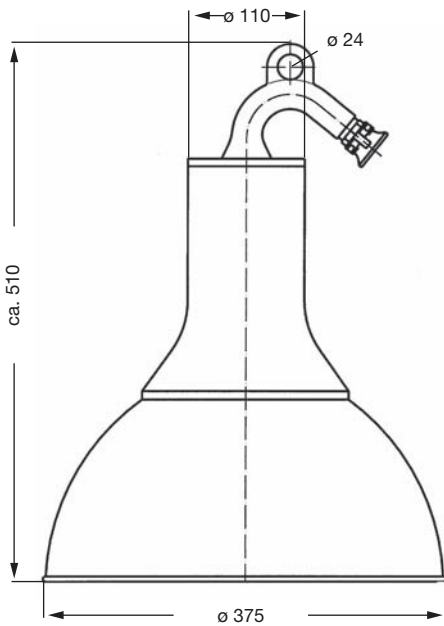


386

**Technical Data**

Name & No.	kg	Description
386	0,90	• bracket for swivel arm 382, made of malleable cast iron
387	0,60	• flexible bracket made of steel, grey varnished • to be used only together with bracket 381 or 386



Cetus  
217/2**Technical Data**

Name & No.	Watt	kg	Description
Cetus 217	1.000W	6,10	<ul style="list-style-type: none"> <li>• brass casing and bent tube, rust protected wire guard</li> <li>• with rust protected wire guard</li> <li>• with 457 E40 nipple lampholder, shake protected, mountable at two levels</li> <li>• 230V</li> <li>• steel sheet reflector outside black enameled, inside white</li> </ul>
Cetus 217/2	1.000W	12,40	<ul style="list-style-type: none"> <li>• brass casing and bent tube, rust protected wire guard, hard glass pane, resistant against temperature changes</li> <li>• with rust protected wire guard, hinged glass pane,</li> <li>• with 457 E40 nipple lampholder, shake protected, mountable at two levels</li> <li>• 230V</li> <li>• steel sheet reflector outside black enameled, inside white</li> </ul>

**Spare Parts**

No.	kg	Description
457	0,25	E40 nipple-lampholder R 3/8"

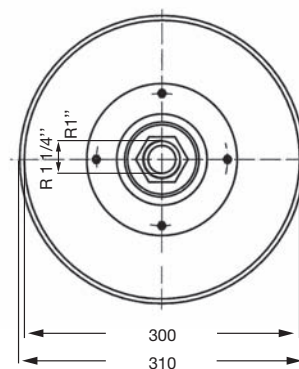
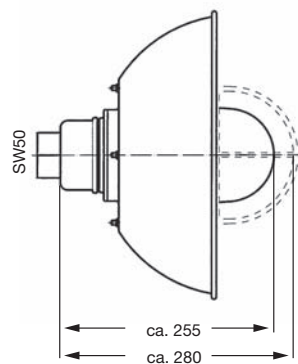




Aquarius 220

**Technical Data**

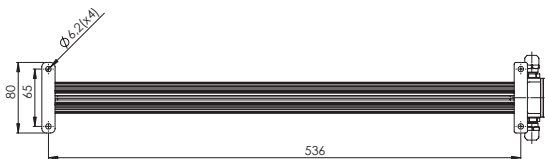
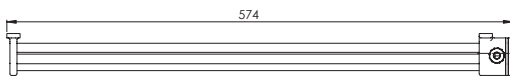
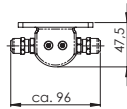
Name & No.	Watt	kg	Description
Aquarius 220 oG	200W	3,20	<ul style="list-style-type: none"> <li>• IP 56</li> <li>• brass casing and flange, copper reflector inside white, clear cylindrical glass with driphole</li> <li>• without lampholder</li> <li>• optional lampholders: 452 E27 double bracket lampholder, 460 B22 double bracket lampholder</li> <li>• 230V</li> <li>• connection thread R1 1/4" or R1"</li> </ul>
Aquarius 220	200W	3,20	<ul style="list-style-type: none"> <li>• IP 56</li> <li>• brass casing and flange, copper reflector inside white, cylindrical glass with driphole, brass guard</li> <li>• without lampholder</li> <li>• optional lampholders: 452 E27 double bracket lampholder 460 B22 double bracket lampholder</li> <li>• 230V</li> <li>• connection thread R1 1/4" or R1"</li> </ul>



**Spare Parts**

No.	kg	Description
401	0,90	cylindrical glass 132x160mm
433	0,30	brass wire guard



Shen  
SF AC LED**Technical Data**

Name & No.	Watt	Description
Shen SF AC LED	36W	<ul style="list-style-type: none"> <li>• IP 56</li> <li>• casing aluminium, cover made of polycarbonate,</li> <li>• without ballast, directly 230V power supply voltage</li> <li>• incl. LED carrier and 1x LED stripe with 6 pcs high power AC LED</li> <li>• durability: up to 30.000 hours (manufacturer's data) depends on operating temperature</li> <li>• lamp colour: warm white or cool white</li> <li>• 230V (other voltage upon request)</li> <li>• input power: 36W</li> <li>• lighting current: ca. 900 lm</li> <li>• cable gland: M16x1,5 (IP 56)</li> <li>• beam angle: 120°</li> <li>• ambient temperatur: -40°C to +40°C</li> <li>• optimized thermal management</li> <li>• Like other illuminants the highly efficient AC LEDs develop heat. Dose attaches great importance to the thermal management in lighting. The LED modules can operate under the critical temperature level and they can deliver their full performance throughout their whole durability. The fitting of the LED module directly on to the LED heatsink ensures an efficient dissipation of the LEDs thermal load. The design, construction and material of the case are also integrated in the thermal management, without any invalid warming.</li> </ul>

**Spare Parts on Request**

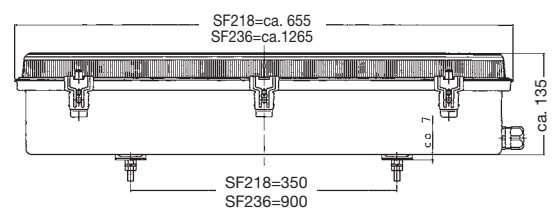
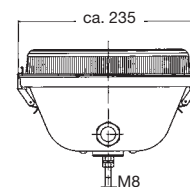


Naos  
SF LED SMD



**Technical Data**

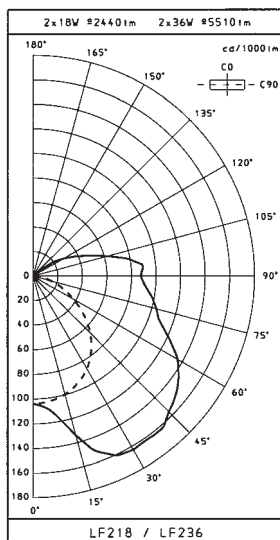
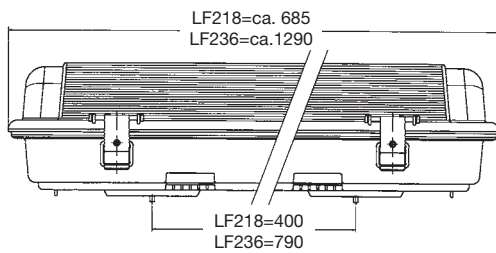
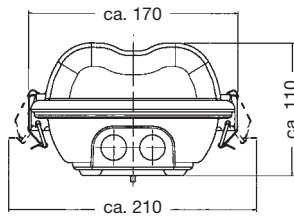
Name & No.	Watt	Description
Naos SF LED SMD	60W	<ul style="list-style-type: none"> <li>• IP 66</li> <li>• stainless steel housing, structured diffuser made of polycarbonate, polyester coated steel gear tray, stainless steel clips</li> <li>• cable gland: M24x1.5 (IP68)</li> <li>• incl. LED carrier and 3x LED stripe with each 60 pcs SMD LED</li> <li>• durability: up to 30.000 hours (manufacturer's data) depends on operating temperature</li> <li>• lamp colour: warm white or cool white</li> <li>• incl. lamp (other voltage and frequency upon request)</li> <li>• 85-264V AC, 12-375V DC, 24V DC</li> <li>• input power: 60W</li> <li>• lighting current: ca. 3.600 lm</li> <li>• light intensity ca. 1,20m: approx. 700 lx (Comparison: 2 x 18W fluorescent lamp 330 lx)</li> <li>• supply voltage: AC/DC power adaptor 85 → 260V AC; 120 → 370V DC</li> <li>• beam angle: 120°</li> <li>• ambient temperature: -40°C to +40°C</li> <li>• optimized thermal management</li> <li>• Like other illuminants the highly efficient SMD LEDs develop heat. Dose attaches great importance to the thermal management in lighting. The LED modules can operate under the critical temperature level and they can deliver their full performance throughout their whole durability. The fitting of the LED module directly on to the LED heatsink ensures an efficient dissipation of the LEDs thermal load. The design, construction and material of the case are also integrated in the thermal management, without any invalid warming.</li> </ul>



**Spare Parts on Request**



Naos  
LF218



## Technical Data

Name & No.	Watt	kg	Description
Naos LF218/50Hz	2 x 18W	2,10	<ul style="list-style-type: none"> <li>• IP 66</li> <li>• housing and structured diffuser made of polycarbonate powdercoated RAL 7035, reflector white painted steel, clips stainless steel</li> <li>• 1 x PG13,5; optional cable glands 3 x PG13,5 or M20 can be installed (perforate drill-holes)</li> <li>• incl. lamp and ballast unit (other voltage and frequency upon request)</li> <li>• 2-pin lampholder G13 (pair)</li> <li>• 230V</li> <li>• 50Hz / 60Hz</li> <li>• mounting through 2 stainless steel bolts M8</li> </ul>
Naos LF218/60Hz	2 x 18W	2,10	
Naos LF236/50Hz	2 x 36W	3,20	
Naos LF236/60Hz	2 x 36W	3,20	

## Spare Parts

No.	kg	Description
SLW218	0,35	polycarbonate diffuser
SLW236	0,65	polycarbonate diffuser
SLV218	0,55	ballast unit 230V/50Hz
SLV236	1,10	two ballast units 230V/50Hz
SLF218-236	0,10	pair of lampholder G13



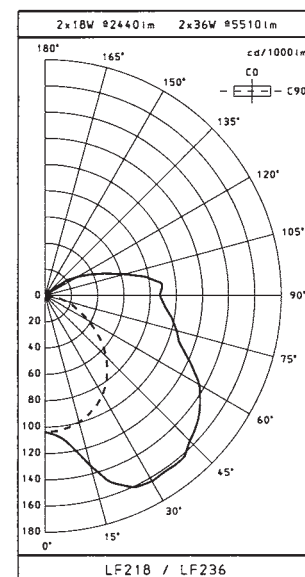
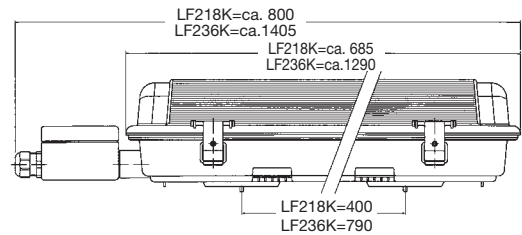
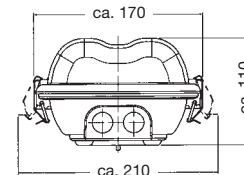
Naos  
LF218/K

**Technical Data**

Name & No.	Watt	kg	Description
Naos LF218/K/50Hz	2 x 18W	2,20	<ul style="list-style-type: none"> <li>• IP 66</li> <li>• Housing, structured diffuser and branching box made of polycarbonate powdercoated RAL 7035, reflector white painted steel, clips stainless steel</li> <li>• 1 x PG13,5; optional cable glands 2 x PG13,5 or M20 can be installed (perforate drill-holes)</li> <li>• incl. lamp and ballast unit (other voltage and frequency upon request)</li> <li>• 2-pin lampholder G13 (pair)</li> <li>• 230V</li> <li>• 50Hz / 60Hz</li> <li>• mounting through 2 stainless steel bolts M8</li> </ul>
Naos LF218/K/60Hz	2 x 18W	2,20	
Naos LF236/K/50Hz	2 x 36W	3,30	
Naos LF236/K/60Hz	2 x 36W	3,30	

**Spare Parts**

No.	kg	Description
SLW218	0,35	polycarbonate diffuser
SLW236	0,65	polycarbonate diffuser
SLV218	0,55	ballast unit 230V/50Hz
SLV236	1,10	two ballast units 230V/50Hz
SLF218-236	0,10	pair of lampholder G13



PT207  
PT209  
PT211

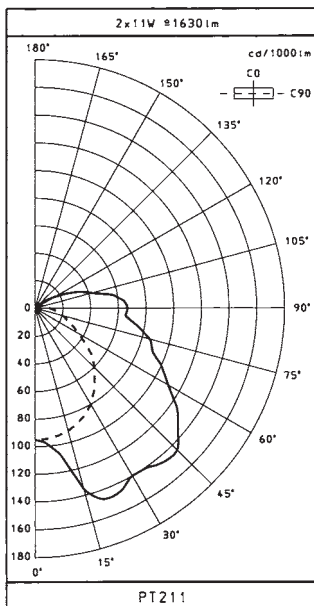
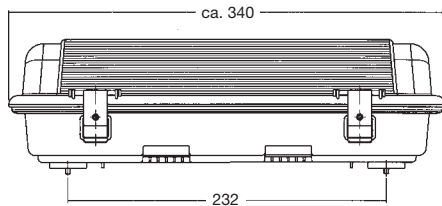
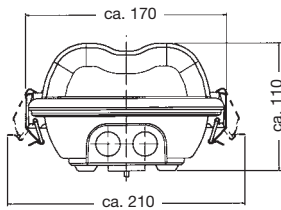
# Naos

Flourescent Light Fittings

karl-dose.de/Naos



Naos  
PT211



## Technical Data

Name & No.	Watt	kg	Description
Naos PT207	2 x 7W	1,40	<ul style="list-style-type: none"> <li>• IP 66</li> <li>• housing and structured diffuser made of polycarbonate powdercoated RAL 7035, reflector white painted steel, clips stainless steel</li> </ul>
Naos PT209	2 x 9W	1,40	<ul style="list-style-type: none"> <li>• 1 x PG13,5; optional cable glands 3 x PG13,5 or M20 can be installed (perforate drill-holes)</li> </ul>
Naos PT211	2 x 11W	1,40	<ul style="list-style-type: none"> <li>• incl. lamp and ballast unit (other voltage and frequency upon request)</li> <li>• 2-pin lampholder G13 (pair)</li> <li>• 230V</li> <li>• mounting through 2 stainless steel bolts M8</li> </ul>

## Spare Parts

No.	kg	Description
PTW20	0,20	polycarbonate diffuser
PTV20	0,60	ballast unit 230V/50Hz
PTF20	0,15	pair of lampholder G23





Naos  
SF218

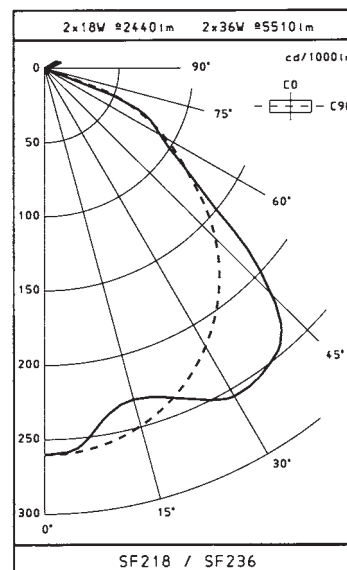
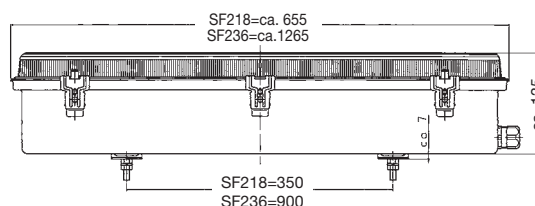
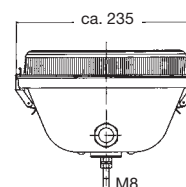
**Technical Data**

Name & No.	Watt	kg	Description
Naos SF218/50Hz	2 x 18W	3,55	<ul style="list-style-type: none"> <li>• IP 66</li> <li>• stainless steel housing, structured diffuser made of polycarbonate, plated (titanium/aluminium) reflector, polyester coated steel gear tray, stainless steel clips</li> <li>• cable gland: M24x1.5 (IP68)</li> </ul>
Naos SF218/60Hz	2 x 18W	3,55	
Naos SF236/50Hz	2 x 36W	6,30	
Naos SF236/60Hz	2 x 36W	6,30	

- incl. lamp and ballast unit (other voltage and frequency upon request)
- 2-pin lampholder G13 (pair)
- 230V
- 50Hz / 60Hz
- mounting through 2 stainless steel bolts M8

**Spare Parts**

No.	kg	Description
SFW218	0,38	polycarbonate diffuser
SFW236	0,68	polycarbonate diffuser
SLV218	0,55	ballast unit 230V/50Hz
SLV236	1,10	two ballast units 230V/50Hz
SLF218-236	0,10	pair of lampholder G13
SFD236	0,10	diffuser gasket



631  
632

# Aquila

Dutch Type Wall Mounting Lights

karl-dose.de/**Aquila**

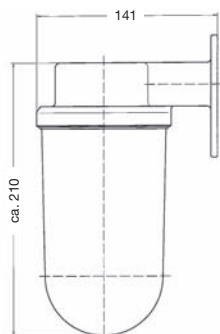
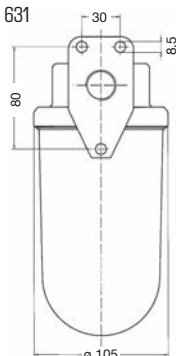


Aquila  
631

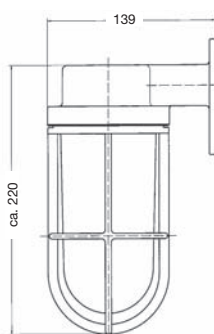
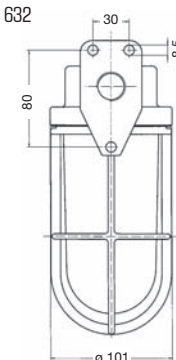


Aquila  
632

Aquila  
631



Aquila  
632



## Technical Data

Name & No.	Watt	kg	Description
Aquila 631	75W or Dulux EL 23W	1,30	<ul style="list-style-type: none"> <li>• IP 56</li> <li>• brass housing, clear structured globe polycarbonate</li> <li>• cable gland: M24x1.5</li> <li>• without lamp and lampholder</li> <li>• optional lampholders: 452 E27 double bracket lampholder, 460 B22 double bracket lampholder</li> </ul>
Aquila 632	75W or Dulux EL 23W	1,85	<ul style="list-style-type: none"> <li>• IP 56</li> <li>• brass housing and guard, clear structured globe polycarbonate</li> <li>• cable gland: M24x1.5</li> <li>• without lamp and lampholder</li> <li>• optional lampholders: 452 E27 double bracket lampholder 460 B22 double bracket lampholder</li> </ul>

## Spare Parts

No.	kg	Description
154L	0,20	structured globe clear, thread M100x2mm, height 175mm
372	0,44	cylindrical glass clear 88x160mm
436	0,40	brass guard

Also available in red, blue, green and yellow (without driphole). Supplement charge.  
Polished products available for an extra charge.

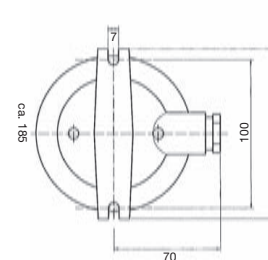
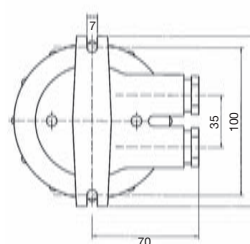
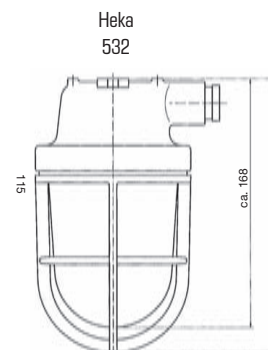
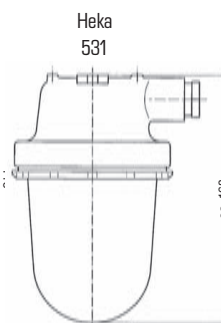


Heka  
531/2

Heka  
532/2

**Technical Data**

Name & No.	Diagram	Watt	kg	Description
Heka 531	O-	100*	1,19	<ul style="list-style-type: none"> <li>• IP 56</li> <li>• brass casing, clear cylindrical glass</li> <li>• cable gland: M24x1.5</li> <li>• without lamp</li> <li>• without lampholder</li> <li>• optional lampholders: 452 E27 double bracket lampholder 460 B22 double bracket lampholder</li> </ul>
Heka 531/2	O=		1,29	
Heka 531/D	-O-		1,29	
Heka 532	O-	100*	1,40	<ul style="list-style-type: none"> <li>• IP 56</li> <li>• brass casing and guard, clear cylindrical glass</li> <li>• cable gland: M24x1.5</li> <li>• without lamp</li> <li>• without lampholder</li> <li>• optional lampholders: 452 E27 double bracket lampholder 460 B22 double bracket lampholder</li> </ul>
Heka 532/2	O=		1,50	
Heka 532/D	-O-		1,50	



**Spare Parts**

No.	kg	Description
399	0,35	cylindrical glass clear D94x115mm
434	0,39	brass guard M100

\*: when using branching box

Also available in red, blue, green, yellow and frosted (without driphole). Supplement charge.

Polished products available for an extra charge.



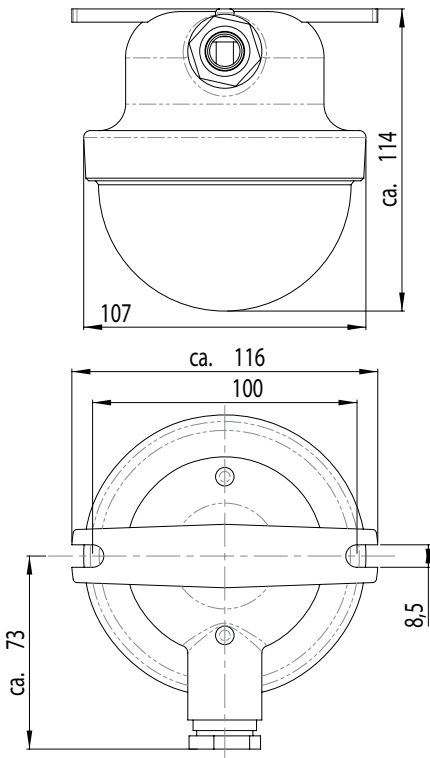
Heka  
LED 131

### Technical Data

Name & No.	Diagram	Wattage	kg	Description
Heka LED 131	O-	8W	0,70	<ul style="list-style-type: none"> <li>• standard light with integrated LED application and specially developed globe of polycarbonate</li> <li>• IP 56</li> <li>• brass casing, clear polycarbonate structured globe</li> <li>• cable gland: M24 x 1.5</li> <li>• high colour rendering index of 85 CRI</li> <li>• also available as a change kit for backfitting the existing lamps without demounting</li> </ul>
Heka LED 131/2	O=		0,80	
Heka LED 131/D	-O-		0,80	
				Your Advantages:
				<ul style="list-style-type: none"> <li>• no power supply necessary</li> <li>• low heat development</li> <li>• better optical light output ratio against lights with 60W bulbs</li> <li>• exchange with existing lamps without changes: same mounting points and measurements with conventionally Heka 131</li> <li>• long durability of LED</li> <li>• space-saving</li> </ul>

### Spare Parts

No.	Description
1200434	LED application 115V
1200415	LED application 230V
1200734	clear structured globe
1213113	Heka change kit LED 115V
1213114	Heka change kit LED 230V



**NEW**  
Change Kit for all  
Standard Lights

economical  
durable  
powerful



## Technical Data

Name & No.	Wattage	kg	Description
Heka LED Kit	8W	0,22	<ul style="list-style-type: none"> <li>• change kit from Heka 131 to Heka LED 131: exchange in used lights without changing possible</li> <li>• consisting of: electronic board with 8 LED modules, structured globe and mounting material</li> </ul>
			Your Advantages: <ul style="list-style-type: none"> <li>• no power supply necessary</li> <li>• low heat development</li> <li>• better optical light output ratio against lights with 60W bulbs</li> <li>• high colour rendering index of 85 CRI</li> <li>• long durability of LED</li> </ul>



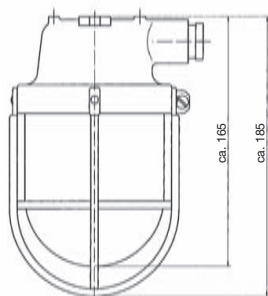


Heka  
132

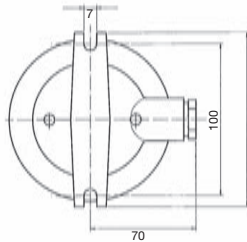
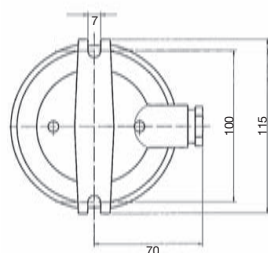
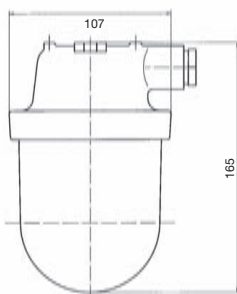


Heka  
131/2

Heka  
132



Heka  
131



### Technical Data

Name & No.	Diagram	Watt	kg	Description
Heka 131	O-	60W Dulux EL7	0,75	<ul style="list-style-type: none"> <li>• IP 56</li> <li>• brass casing, clear polycarbonate structured globe</li> <li>• cable gland: M24x1.5</li> <li>• without lamp</li> <li>• without lampholder</li> <li>• optional lampholders: 452 E27 double bracket lampholder 460 B22 double bracket lampholder</li> </ul>
Heka 131/2	O=		0,85	
Heka 131/D	-O-		0,85	
Heka 132	O-	60W Dulux EL7	0,95	<ul style="list-style-type: none"> <li>• IP 56</li> <li>• brass casing and guard, clear structured globe polycarbonate</li> <li>• cable gland: M24x1.5</li> <li>• without lamp</li> <li>• without lampholder</li> <li>• optional lampholders:., 452 E27 double bracket lampholder 460 B22 double bracket lampholder</li> </ul>
Heka 132/2	O=		1,05	
Heka 132/D	-O-		1,05	

### Spare Parts

No.	kg	Description
154	0,10	polycarbonate structured globe clear
106	0,20	brass wire guard

Also available in opal, red, blue, green and yellow (without driphole). Supplement charge.  
Polished products available for an extra charge.



Heka  
131/SLN

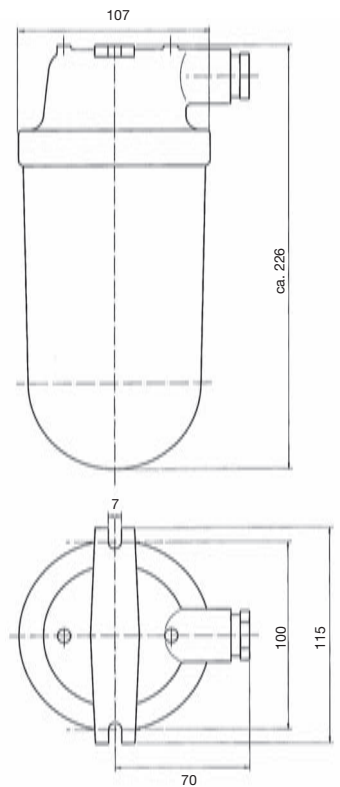
**Technical Data**

Name & No.	Diagram	Watt	kg	Description
Heka 131/SLN	O-	75W max.	0,85	<ul style="list-style-type: none"> <li>• IP 56</li> <li>• brass casing, polycarbonate structured globe</li> <li>• cable gland: M24x1.5</li> </ul>
Heka 131/2/SLN	O=	Dulux EL23	0,95	<ul style="list-style-type: none"> <li>• without lamp</li> <li>• without lampholder</li> </ul>
Heka 131/D/SLN	-O-		0,95	<ul style="list-style-type: none"> <li>• optional lampholders: 452 E27 double bracket lampholder 460 B22 double bracket lampholder</li> </ul>

**Spare Parts**

No.	kg	Description
154L	0,20	structured globe clear, thread M100x2mm, height 175mm

Also available in red, blue, green and yellow (without driphole). Supplement charge.  
Polished products available for an extra charge.

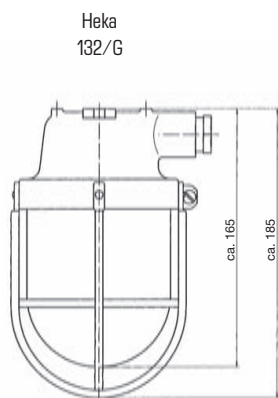




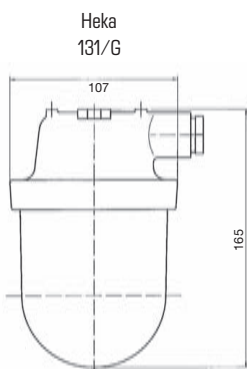
Heka  
132/G



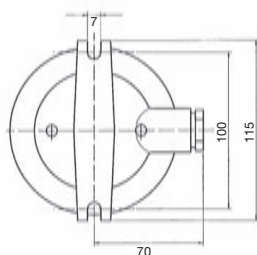
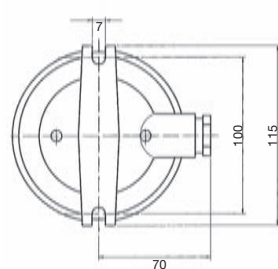
Heka  
131/G



Heka  
132/G



Heka  
131/G



### Technical Data

Name & No.	Diagram	Watt	kg	Description
Heka 131/G	O-	100W*	1,02	<ul style="list-style-type: none"> <li>• IP 56</li> <li>• brass casing, clear cylindrical glass</li> <li>• cable gland: M24x1.5</li> <li>• without lamp</li> <li>• without lampholder</li> <li>• optional lampholders: 452 E27 double bracket lampholder 460 B22 double bracket lampholder</li> </ul>
Heka 131/2/G	O=		1,12	
Heka 131/D/G	-O-		1,12	
Heka 132/G	O-	100W*	1,22	<ul style="list-style-type: none"> <li>• IP 56</li> <li>• brass casing and guard, clear cylindrical glass</li> <li>• cable gland: M24x1.5</li> <li>• without lamp</li> <li>• without lampholder</li> <li>• optional lampholders: 452 E27 double bracket lampholder 460 B22 double bracket lampholder</li> </ul>
Heka 132/2/G	O=		1,32	
Heka 132/D/G	-O-		1,32	

### Spare Parts

No.	kg	Description
154/G	0,41	glass clear with threaded ring M100x2
106	0,20	brass wire guard

\* when using branching box  
Also available in opal, red, blue, green and yellow (without driphole). Supplement charge.  
Polished products available for an extra charge.





Heka  
171

**Technical Data**

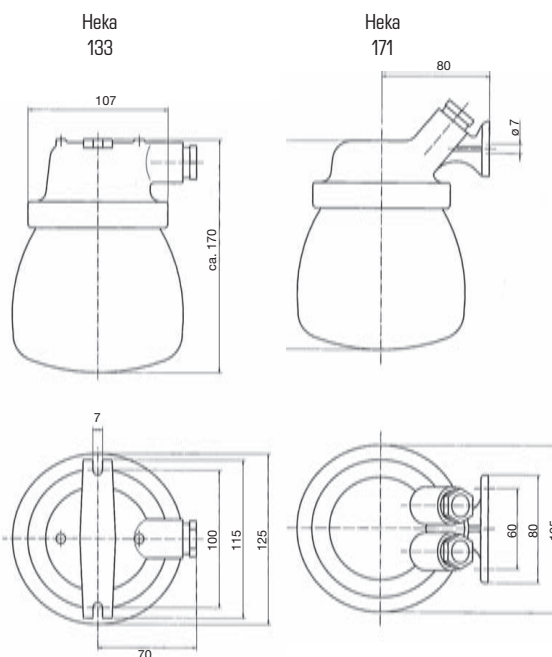
Name & No.	Diagram	Watt	kg	Description
Heka 133	O-	100W*	0,95	<ul style="list-style-type: none"> <li>• IP 56</li> <li>• brass casing, opal glass globe</li> <li>• cable gland: M24x1.5</li> <li>• without lamp</li> <li>• without lampholder</li> <li>• optional lampholders: 452 E27 double bracket lampholder 460 B22 double bracket lampholder</li> </ul>
Heka 133/2	O=		1,05	
Heka 133/D	-O-		1,05	
Heka 171	O-	60W	1,20	<ul style="list-style-type: none"> <li>• as Heka 133</li> <li>• but for wall-mounting</li> </ul>
Heka 171/2	O=		1,30	

**Spare Parts**

No.	kg	Description
155	0,37	opal trapezoidal glass globe with plastic threaded ring M100x2

\* when using branching box

Polished products available for an extra charge.



148  
149

# Accessories

## Anti-Dazzle Screens

karl-dose.de



polished version

148

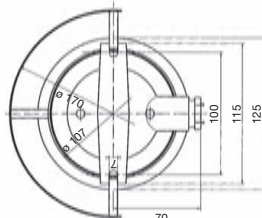
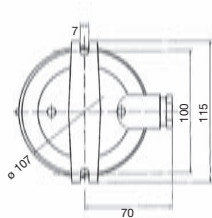
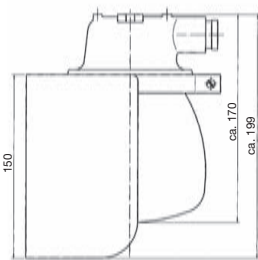
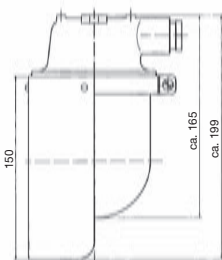


polished version

149

Heka 131  
mit 148

Heka 133  
mit 149



### Technical Data

Name & No.	kg	Description
148	0,30	• brass half-screen
149	0,40	• brass distance-screen

Polished products available for an extra charge.

### Spare Parts on Request





Centauri 174



Centauri 226

**Technical Data**

Name & No.	Diagram	Watt	kg	Description
Centauri 174	⊖	60W	0,82	<ul style="list-style-type: none"> <li>• IP 56</li> <li>• brass casing, clear polycarbonate structured globe</li> <li>• cable gland: M24x1.5</li> <li>• without lamp</li> <li>• without lampholder</li> <li>• optional lampholders: 452 E27 double bracket lampholder 460 B22 double bracket lampholder</li> </ul>
Centauri 174/2	⊖		0,97	
Centauri 226	⊖	60W	1,44	<ul style="list-style-type: none"> <li>• IP 56</li> <li>• brass casing, clear cylindrical glass</li> <li>• cable gland: M24x1.5</li> <li>• without lamp</li> <li>• without lampholder</li> <li>• optional lampholders: 452 E27 double bracket lampholder 460 B22 double bracket lampholder</li> </ul>

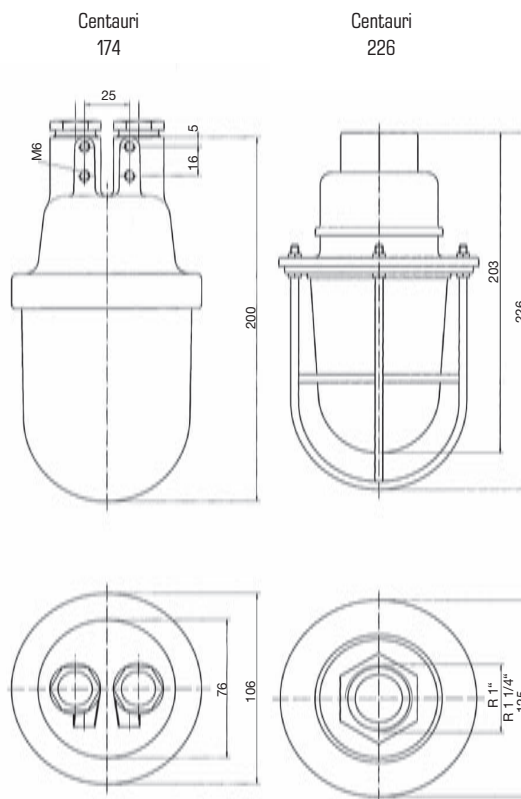
**Spare Parts**

No.	kg	Description
154	0,10	polycarbonate structured globe clear
108	0,85	cylindrical glass clear D94x115mm

Also available in frosted, red, green, blue and yellow (without driphole), supplement charge.

Other desings, e. g. with cylindrical glass or with guard on request.

Polished products available for an extra charge.



242  
243

# Centauri

Engineroom Lights up to 200W

karl-dose.de/**Centauri**

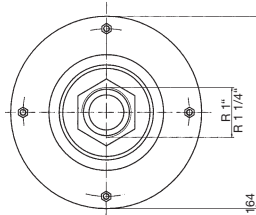
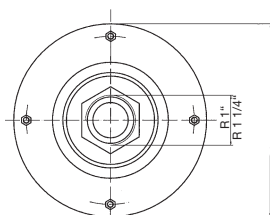
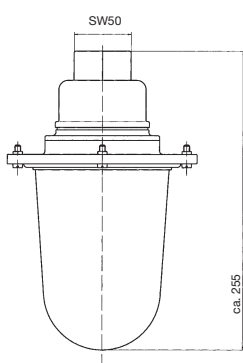
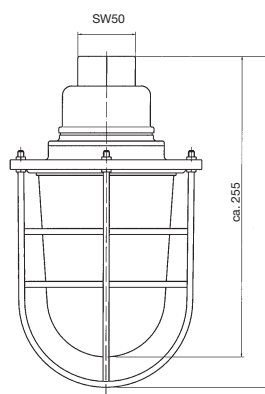


Centauri  
243

Centauri  
242

Centauri  
243

Centauri  
242



## Technical Data

Name & No.	Diagram	Watt	kg	Description
Centauri 242	Ø	max. 200W*	2,20	<ul style="list-style-type: none"> <li>• IP 56</li> <li>• brass casing and flange, clear cylindrical glass</li> <li>• without lampholder</li> <li>• optional lampholders: 452 E27 double bracket lampholder 460 B22 double bracket lampholder</li> </ul>
Centauri 243	Ø	max. 200W*	2,50	<ul style="list-style-type: none"> <li>• IP 56</li> <li>• brass casing, wire guard and flange, clear cylindrical glass</li> <li>• without lamp</li> <li>• without lampholder</li> <li>• optional lampholders: 452 E27 double bracket lampholder 460 B22 double bracket lampholder</li> </ul>

## Spare Parts

No.	kg	Description
206	1,64	cylindrical glass with flange and brass wire guard
204	1,20	cylindrical glass with flange without guard
401	0,90	cylindrical glass 132x160mm

\* when using branching box.  
Polished products available for an extra charge.



Small Standard Lights & Small Standard Lights with LED Technology



Minor LED 568



Minor 569

**NEW**  
4,4 Watt  
extremely economical

economical  
durable  
powerful

**LED**

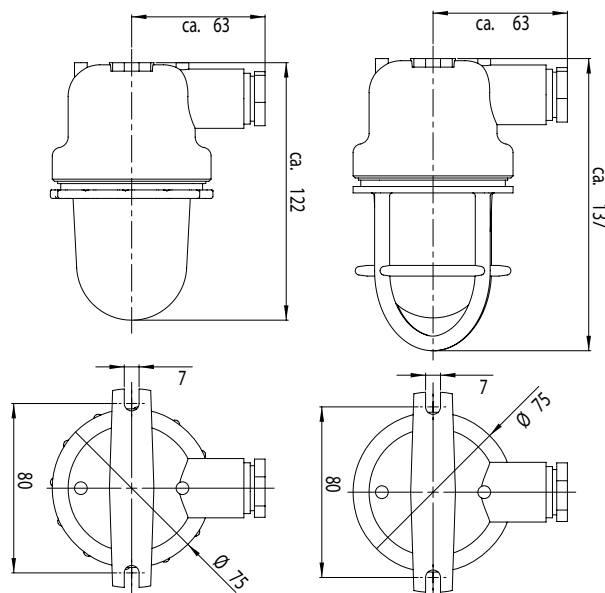
## Technical Data

Name & No.	Diagram	Wattage	kg	Description
Minor 568	O-	25W	0,63	<ul style="list-style-type: none"> <li>• IP 56</li> <li>• Brass casing, cylindrical glass</li> <li>• cable gland: M24x1.5</li> <li>• without lamp</li> <li>• without lampholder</li> <li>• optional lampholders: 452 E27 double bracket lampholder 460 B22 double bracket lampholder</li> </ul>
Minor 568/2	O=		0,70	
Minor 568/D	-O-		0,70	
Minor 569	O-	25W	0,77	<ul style="list-style-type: none"> <li>• as above</li> <li>• Brass casing and guard, cylindrical glass</li> </ul>
Minor 569/2	O=		0,84	
Minor 569/D	-O-		0,84	
Minor 568 LED	O-	4,4W	0,63	<ul style="list-style-type: none"> <li>• as above</li> <li>• 1 LED plate with 4 High Power LED</li> <li>• light colour: 6800K (cool white)</li> <li>• up to 50.000 hrs. (manufacturer's data) depends on operating temperature</li> <li>• beam angle: approx. 160°</li> <li>• ambient temperature: -40°C to max. +45°C</li> <li>• 230V AC 50/60 Hz, 115 V 50/60 Hz</li> <li>• luminous flux: approx. 200 lm</li> <li>• light intensity: approx. 30 lx (comparison: bulb 25W approx. 18 lx)</li> <li>• no power supply necessary, optimized thermal management</li> </ul>
Minor 568/2 LED	O=		0,70	
Minor 568/D LED	-O-		0,70	
Minor 569 LED	O-	4,4W	0,77	<ul style="list-style-type: none"> <li>• as above</li> <li>• with brass guard</li> </ul>
Minor 569/2 LED	O=		0,84	
Minor 569/D LED	-O-		0,84	



Minor LED 568

Minor LED 569



## Spare Parts

No.	kg	Description
398	0,11	cylindrical glass clear 64x73mm
435	0,20	brass guard M70

Also available in frosted, red, green, blue and yellow (without driphole), supplement charge.

Polished products available for an extra charge.

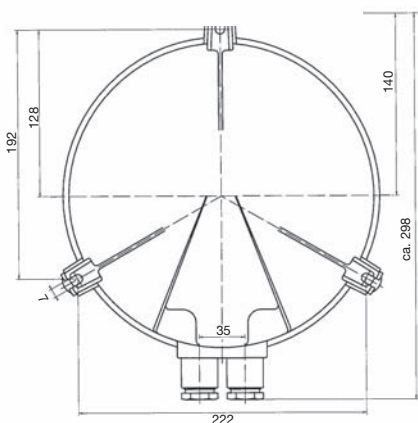
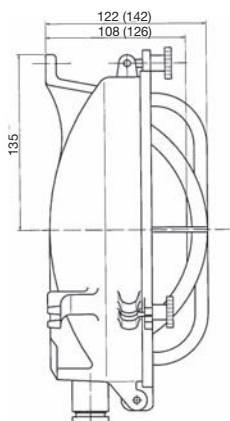


Pegasus  
105



Pegasus  
223

Pegasus  
105/2 (223/2)



### Technical Data

Name & No.	Diagram	Watt	kg	Description
Pegasus 105	O-	60W. max.	4,50	<ul style="list-style-type: none"> <li>• IP 56</li> <li>• brass casing and guard, glass bowl</li> <li>• without lamp</li> <li>• without lampholder</li> <li>• optional lampholders: 452 E27 double bracket lampholder 460 B22 double bracket lampholder</li> </ul>
Pegasus 105/2	O=	100W*	4,60	
Pegasus 105/oG	O-	100W*	4,00	<ul style="list-style-type: none"> <li>• as above, but without guard</li> </ul>
Pegasus 105/2/oG	O=		4,40	
Pegasus 105/2/NBL	O=		4,60	<ul style="list-style-type: none"> <li>• as 105/2</li> <li>• but with second lampholder E14 or B15 for eergency lighting</li> <li>• incl. normal and emergency lampholder</li> </ul>
Pegasus 223	O-	200W* (125W HQL)	4,80	<ul style="list-style-type: none"> <li>• IP 56</li> <li>• brass casing and guard, glass bowl</li> <li>• without lamp</li> <li>• without lampholder</li> <li>• optional lampholders: 452 E27 double bracket lampholder 460 B22 double bracket lampholder</li> </ul>
Pegasus 223/2	O=		4,90	
Pegasus 223/oG	O-	200W* (125W HQL)	4,50	<ul style="list-style-type: none"> <li>• as above, bit without guard</li> </ul>
Pegasus 223/2/oG	O=		4,60	

### Spare Parts

No.	kg	Description
402	0,50	glass bowl 200x38mm

\* when using branching box

Red coloured and mattfinished, supplement charge.

Polished products available for an extra charge.

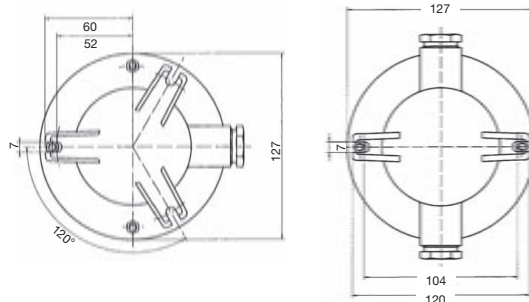
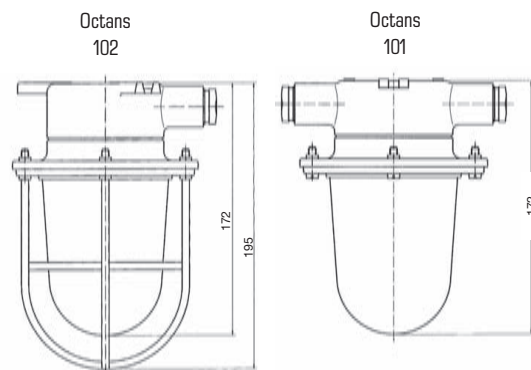


Octans 101

Octans 102

**Technical Data**

Name & No.	Diagram	Watt	kg	Description
Octans 101	O-	60W, max. 100W*	1,35	<ul style="list-style-type: none"> <li>• IP 56</li> <li>• brass casing and flange, clear cylindrical glass</li> <li>• cable gland: M24x1.5</li> <li>• without lamp</li> <li>• without lampholder</li> <li>• optional lampholders: 452 E27 double bracket lampholder 460 B22 double bracket lampholder</li> </ul>
Octans 101/2	O=		1,40	
Octans 101/D	-O-		1,40	
Octans 102	O-	60W, max. 100W*	1,50	<ul style="list-style-type: none"> <li>• IP 56</li> <li>• brass casing, wire guard and flange, clear cylindrical glass</li> <li>• cable gland: M24x1.5</li> <li>• without lamp</li> <li>• without lampholder</li> <li>• optional lampholders: 452 E27 double bracket lampholder 460 B22 double bracket lampholder</li> </ul>
Octans 102/2	O=		1,55	
Octans 102/D	-O-		1,55	



**Spare Parts**

No.	kg	Description
108	0,85	cylindrical glass clear D94x115mm
109	0,75	cylindrical glass clear with flange without guard
399	0,35	cylindrical glass D94x115mm

\* when using branching box

Also available in frosted, red, green, blue, and yellow (without driphole), supplement charge.

Polished products available for an extra charge.

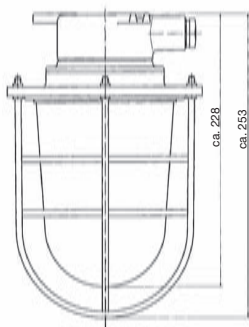


Octans  
241/2

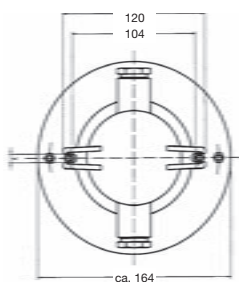
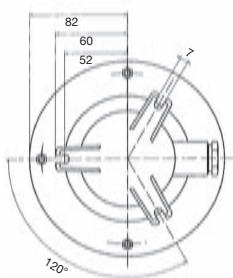
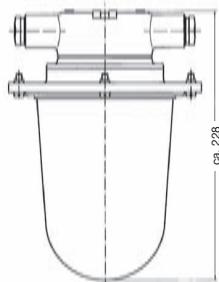


Octans  
240

Octans  
241



Octans  
240/D



## Technical Data

Name & No.	Diagram	Watt	kg	Description
Octans 240	O-	max. 200W*	2,20	<ul style="list-style-type: none"> <li>• IP 56</li> <li>• brass casing and flange, clear cylindrical glass</li> <li>• without lamp</li> <li>• without lampholder</li> <li>• optional lampholders: 452 E27 double bracket lampholder 460 B22 double bracket lampholder</li> </ul>
Octans 240/2	O=		2,30	
Octans 240/D	-O-		2,30	
Octans 241	O-	max. 200W*	2,50	<ul style="list-style-type: none"> <li>• IP 56</li> <li>• brass casing, wire guard and flange, clear cylindrical glass</li> <li>• without lamp</li> <li>• without lampholder</li> <li>• optional lampholders: 452 E27 double bracket lampholder 460 B22 double bracket lampholder</li> </ul>
Octans 241/2	O=		2,60	
Octans 241/D	-O-		2,60	

## Spare Parts

No.	kg	Description
206	1,65	cylindrical glass with flange and brass wire guard
204	1,20	cylindrical glass with flange without guard
401	0,90	cylindrical glass 132x160mm

\* when using branching box  
Polished products available for an extra charge.



Lower Deck Lights with Reflector up to 200W



Octans  
248

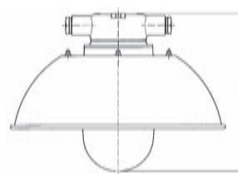


Octans  
249

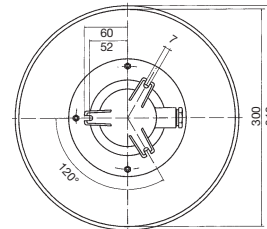
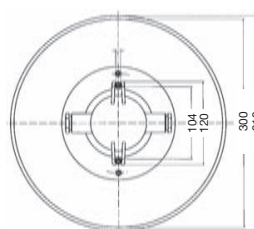
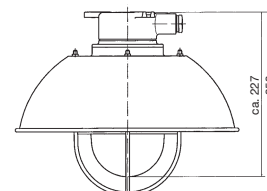
**Technical Data**

Name & No.	Diagram	Watt	kg	Description
Octans 248	O-	max. 200W*	2,90	<ul style="list-style-type: none"> <li>• brass casing and flange, cylindrical glass, copper reflector</li> <li>• without lamp</li> <li>• without lampholder</li> <li>• optional lampholders: 452 E27 double bracket lampholder 460 B22 double bracket lampholder</li> </ul>
Octans 248/2	O=		3,00	
Octans 248/D	-O-		3,00	
Octans 249	O-	max. 200W*	3,30	<ul style="list-style-type: none"> <li>• brass casing, wire guard and flange, cylindrical glass, copper reflector</li> <li>• without lamp</li> <li>• without lampholder</li> <li>• optional lampholders: 452 E27 double bracket lampholder 460 B22 double bracket lampholder</li> </ul>
Octans 249/2	O=		3,40	
Octans 249/D	-O-		3,40	

248



249

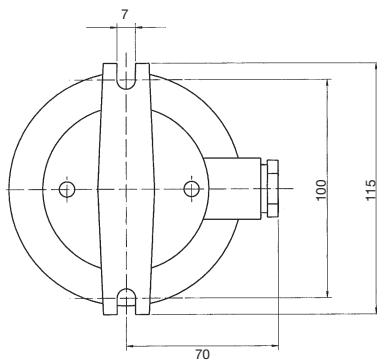
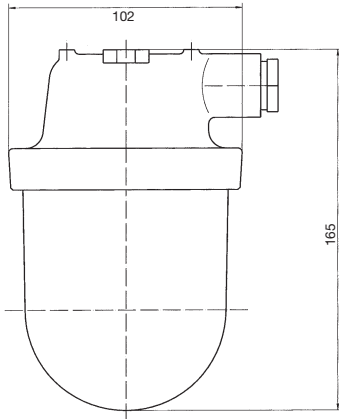


**Spare Parts**

No.	kg	Description
206	1,65	cylindrical glass with flange and brass wire guard
204	1,20	cylindrical glass with flange without guard
401	0,90	cylindrical glass 132x160mm

\* when using branching box

Polished products available for an extra charge.

Gemini  
1319/BL**Technical Data**

Name & No.	Diagram	kg	Description
Gemini 1319/BL	O-	0,90	• IP 56 • brass casing, red polycarbonate structured globe M100x2mm
Gemini 1319/2/BL	O=	1,00	• 230V AC • with flashing insert maker Pfannenberg, flashing frequency: 60 flash/min, flashing energy: 10 Joule, lifetime: after 8.000.000 flashes 85% light intensity
Gemini 1319/D/BL	-O-	1,00	
Gemini 1319/24	O-	0,90	• IP 56 • brass casing, red polycarbonate structured globe M100x2mm
Gemini 1319/2/24	O=	1,00	• 24V DC • with flashing insert maker Pfannenberg, flashing frequency: 60 flash/min, flashing energy: 10 Joule, lifetime: after 8.000.000 flashes 85% light intensity
Gemini 1319/D/24	-O-	1,00	

**Spare Parts**

No.	kg	Description
BL220	0,10	flashing insert 220V AC
BL24	0,10	flashing insert 24V DC

Polished products available for an extra charge.

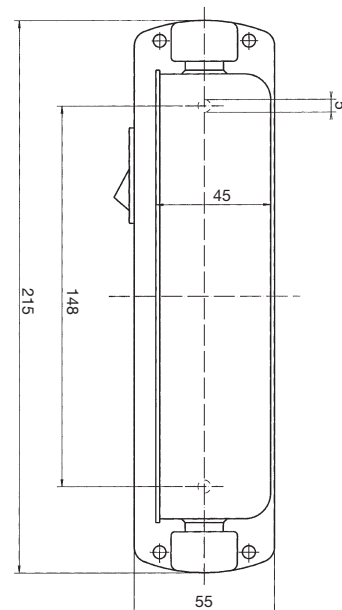
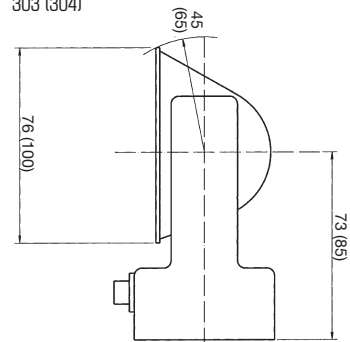


Noctua 303

**Technical Data**

Name & No.	Watt	kg	Description
Noctua 303	40W	0,40	<ul style="list-style-type: none"> <li>• IP 20</li> <li>• plastic base, stainless steel reflector</li> <li>• without lamp, with 2-pole toggle switch and adjustable, anti-corrosion reflector</li> <li>• nipple lampholder E14</li> </ul>
Noctua 304/B22	40W	0,50	<ul style="list-style-type: none"> <li>• IP 20</li> <li>• plastic base, stainless steel reflector</li> <li>• without lamp, with 2-pole toggle switch and adjustable, anti-corrosion reflector</li> <li>• nipple lampholder B22</li> </ul>
Noctua 304/E27	40W	0,50	<ul style="list-style-type: none"> <li>• IP 20</li> <li>• plastic base, stainless steel reflector</li> <li>• without lamp, with 2-pole toggle switch and adjustable, anti-corrosion reflector</li> <li>• nipple lampholder E27</li> </ul>

Noctua 303 (304)



**Spare Parts on Request**



Capricorn  
LTC 230



Capricorn



Capricorn  
LTC 110

### Technical Data

Name & No.	Watt	kg	Description
Capricorn LTC 110DC26	26W	0,90	<ul style="list-style-type: none"> <li>• IP 65</li> <li>• yellow housing, cover and clear structured globe made of polycarbonate, stainless steel hanging/support</li> <li>• cable gland: 2 x Pg11</li> <li>• incl. electronic ballast unit and OSRAM DULUX T/E compact fluorescent lamp 26W</li> <li>• structured globe with bajonet catch fixture</li> <li>• 110V DC</li> <li>• extreme insensitive against mechanical impacts and vibrations</li> </ul>
Capricorn LTC 110DC32	32W	0,90	<ul style="list-style-type: none"> <li>• IP 65</li> <li>• yellow housing, cover and clear structured globe made of polycarbonate, stainless steel hanging/support</li> <li>• cable gland: 2 x Pg11</li> <li>• incl. electronic ballast unit and OSRAM DULUX T/E compact fluorescent lamp 26W</li> <li>• structured globe with bajonet catch fixture</li> <li>• 110V DC</li> <li>• extreme insensitive against mechanical impacts and vibrations</li> </ul>
Capricorn LTC 230AC26	26W	0,90	<ul style="list-style-type: none"> <li>• IP 65</li> <li>• blue housing, cover and clear structured globe made of polycarbonate, stainless steel hanging/support</li> <li>• cable gland: 2 x Pg11</li> <li>• incl. electronic ballast unit and OSRAM DULUX T/E compact fluorescent lamp 26W</li> <li>• structured globe with bajonet catch fixture</li> <li>• 230V AC</li> <li>• extreme insensitive against mechanical impacts and vibrations</li> </ul>

**Spare Parts on Request**



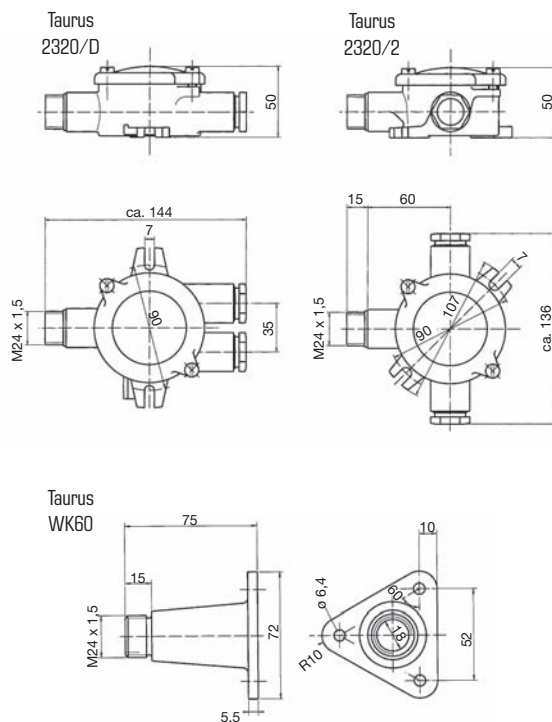


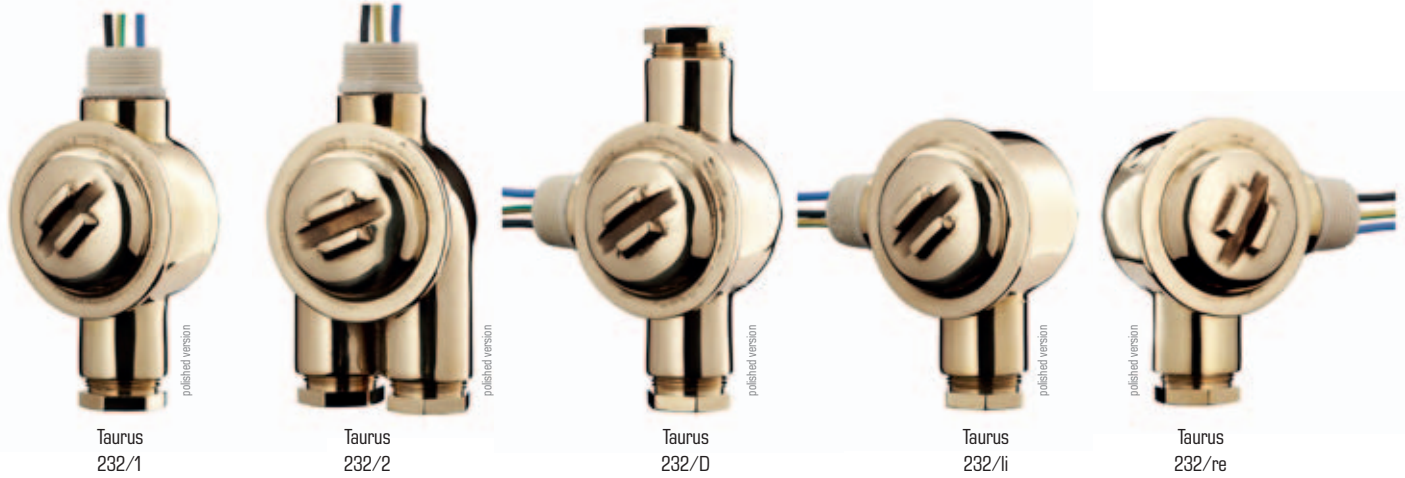
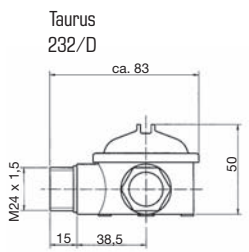
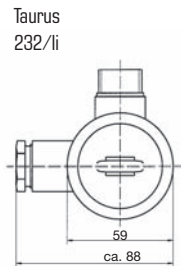
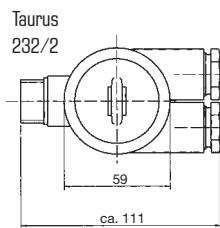
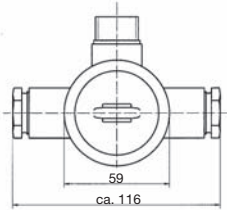
**Technical Data**

Name & No.	Diagram	kg	Description
Taurus 2320/1		0,85	<ul style="list-style-type: none"> <li>• IP 56</li> <li>• brass casing and cover, heat-insulating fitting nipple made of glass-fibre-reinforced polyester FS 803 DIN 16911</li> </ul>
Taurus 2320/2		0,95	<ul style="list-style-type: none"> <li>• cable gland: M24x1.5</li> </ul>
Taurus 2320/D		0,95	<ul style="list-style-type: none"> <li>• 2-pole terminal with slotted nuts, connection cable heat-resistant up to 180°C</li> <li>• suitable for all lights with cable entry M24x1.5</li> </ul>
Taurus WK60		0,30	<ul style="list-style-type: none"> <li>• brass wall bracket for direct wall mounting and wiring from inside</li> <li>• IP 56</li> </ul>

**Spare Parts**

No.	kg	Description
WK60D	0,01	triangular gasket for WK60
431/2	0,04	2-pole terminal DIN 89300 with slotted nuts



Taurus  
232/1Taurus  
232/2Taurus  
232/DTaurus  
232/liTaurus  
232/reTaurus  
232/DTaurus  
232/liTaurus  
232/2

### Technical Data

Name & No.	Diagram	kg	Description
Taurus 232/1	III o '	0,40	<ul style="list-style-type: none"> <li>IP 56</li> <li>brass casing and screw cover, heat-insulating fitting nipple made of glass-fibre-reinforced polyester FS 803 DIN 16911</li> <li>cable gland: M24x1.5</li> <li>2-pole terminal with slotted nuts, connection cable heat-resistant up to 180°C</li> <li>suitable for all lights with cable entry M24x1.5</li> </ul>
Taurus 232/2	III o- '	0,50	
Taurus 232/D	III -o- '	0,45	
Taurus 232/li	III -o '	0,40	
Taurus 232/re	III o- '	0,40	

### Information

- Branching boxes are recommended for all lights which can be used with bulbs more than 60W. They reduce temperature at the connection points.
- example: surrounding temperature 20°C  
light with bulb 100W: temperature at connection point 154°C  
light with bulb 100W and branching box: temperature at connection point 56°C

### Spare Parts

No.	kg	Description
331	0,02	two-pole terminal with slotted nuts

**Type Navigation Lights**

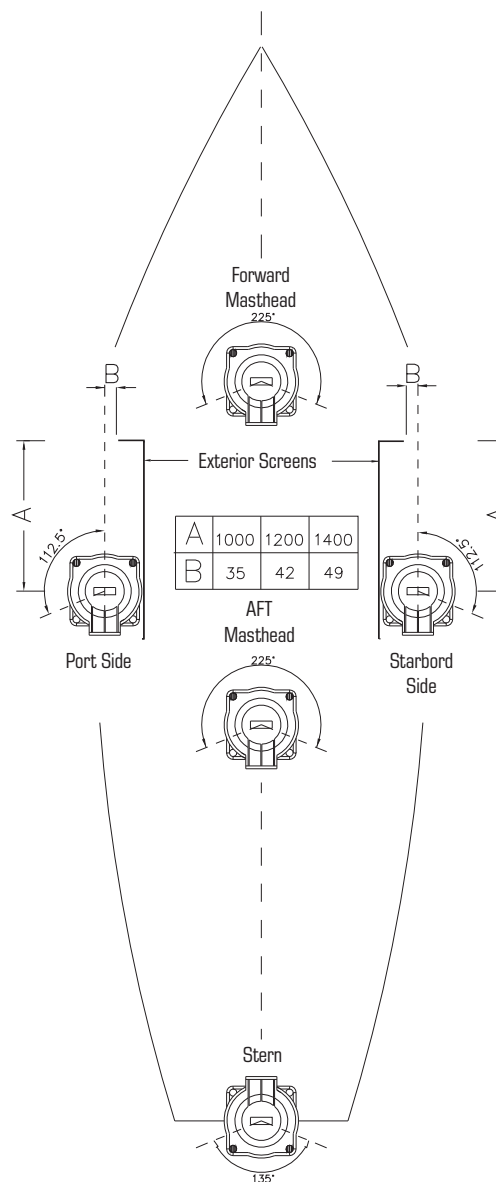
	Port Side	Starboard Side	Masthead	Stern	Towing	ARW*	ARR*	ARG*
Single Deck	Oceanic SBR	Oceanic SER	Oceanic STP	Oceanic SPP	Oceanic SRQ	Oceanic STHB	Oceanic STHR	Oceanic STH
Double Deck	Oceanic DBR	Oceanic DER	Oceanic DTP	Oceanic DPP	Oceanic ORO	Oceanic DTHB	Oceanic DTHR	Oceanic DTH
Colour	red	green	white	white	yellow	white	red	green
Angle	112,5°	112,5°	225°	135°	135°	360°	360°	360°
Range	3 Miles	3 Miles	3 Miles	3 Miles	3 Miles	3 Miles	3 Miles	3 Miles
Voltage	24/115/ 230V	24/115/ 230V	24/115/ 230V	24/115/ 230V	24/115/ 230V	24/115/ 230V	24/115/ 230V	24/115/ 230V
Wattage	40/60/ 65W	40/60/ 65W	40/60/ 65W	40/60/ 65W	40/60/ 65W	40/60/ 65W	40/60/ 65W	40/60/ 65W

- In the drawing, the standard installation of navigation lights for a vessel of more than 50 meters in length is shown. For vessels of less than 50 meters only one of the masthead lights will be needed.
- Masthead and stern lights should be mounted in the midship line, masthead with the zero mark in the forward direction and stern in the aft direction. Special care should be taken for the best alignment with the bow-stern line.
- Side lights should be mounted with its zero mark over a line parallel to the midship line and in the forward direction.
- For correct screening of the side lights in the forward direction the vessel should be fitted with outer screens according to COLREGs, annex I, point 5 as it is shown in the drawing. These screens have to be painted in black matt.
- The horizontal positioning of the lights has to be taken into consideration what is indicated in COLREGs, annex I, point 3.
- The vertical positioning of the lights has to be taken into consideration what is indicated in COLREGs, annex I, point 2.
- The OCEANIC lights have been designed to use the bulbs indicated in the supplied information. Any other type of bulb could produce an unwanted effect with a dangerous emission of the light what is against the international standards to which the light has been homologated. In order to avoid this problem, it is highly recommended to stock a number of bulbs equivalent to 50% of the navigation lights installed on board.
- The OCEANIC navigation lights are maintenance free. It is only recommended for its periodical cleaning to use a damp soft linen with soap carefully applied on the lens. Do never use solvents or aggressive chemical products.

**Light Sources**

Manufacturer	Manufacturer Art. No.	DOSE Art. No.	Voltage	Wattage	Lampholder	Candela
Radium	261.22915	20.580.R	24 V	40 W	P28S	50 cd
	261.22916	20.570.R	115 V	60 W	P28S	50 cd
	261.22917	20.550.R	230 V	65 W	P28S	50 cd
SM Danlamp	10 043	20.580.D	24 V	40 W	P28S	50 cd
	10 067	20.580.D	115 V	60 W	P28S	50 cd
	10 056	20.580.D	230 V	65 W	P28S	50 cd

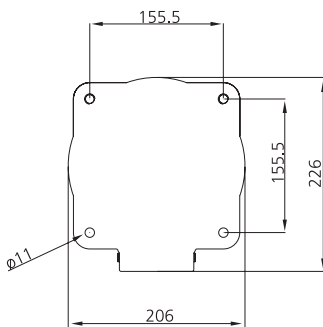
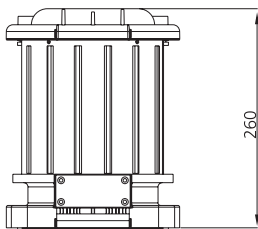
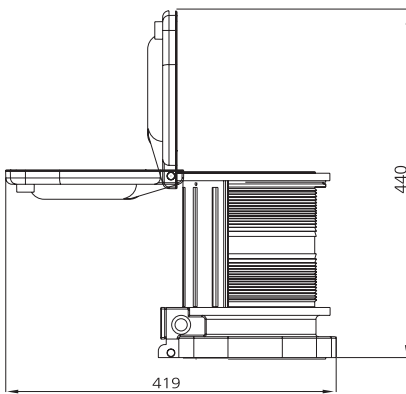
**NEW SERIES**





Oceanic-S

**NEW  
SERIES**



### Optical Performance

Starboard Side	Port Side	Masthead	Stern	Towing	Signalling	Manoeuvring	Suez	Steering
112,5°	112,5°	225°	135°	135°	360°	360°	135°	30°
3nm	3nm	6nm	3nm	3nm	3nm	3nm	3nm	>2nm
green	red	white	white	yellow	white red green yellow blue	white	red	blue

### Technical Data

Name	Wattage	kg	Description
Oceanic-S	40W 60W 65W	2,00	<ul style="list-style-type: none"> <li>• IP 66</li> <li>• 24V / 110V / 230V</li> <li>• lampholder: P28S</li> <li>• polycarbonate housing reinforced with fibreglass</li> <li>• polycarbonate fresnel lens, shock and UV resistant</li> <li>• integrated branching box in every light</li> <li>• non magnetic</li> <li>• fully resistant to sea environment</li> <li>• access to bulb from above: lamp easy to change</li> <li>• for all sea going vessels with a length of 20 meters or more</li> <li>• according to the International Regulations for preventing collisions at sea 1972 (COLREGs – IMO72)</li> <li>• Approval: Det Norske Veritas (DNV), according to EN-ISO 14744</li> </ul>

**Delivery of Custom-Made Lights on Request**

**Spare Parts on Request**





**NEW  
SERIES**



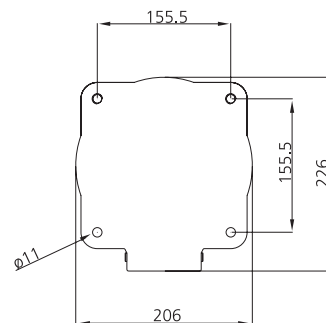
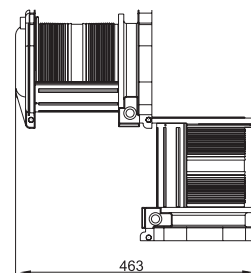
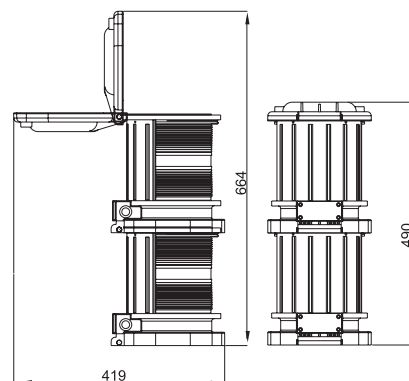
Oceanic-D

### Optical Performance

Starboard Side	Port Side	Masthead	Stern	Towing	Signalling	Manoeuvring	Suez	Steering
112,5°	112,5°	225°	135°	135°	360°	360°	135°	30°
3nm	3nm	6nm	3nm	3nm	3nm	3nm	3nm	>2nm
green	red	white	white	yellow	white red green yellow blue	white	red	blue

### Technical Data

Name	Wattage	kg	Description
Oceanic-D	40W 60W 65W	2,00	<ul style="list-style-type: none"> <li>• IP 66</li> <li>• 24V / 110V / 230V</li> <li>• lampholder: P28S</li> <li>• polycarbonate housing reinforced with fibreglass</li> <li>• polycarbonate fresnel lens, shock and UV resistant</li> <li>• integrated branching box in every light</li> <li>• non magnetic</li> <li>• fully resistant to sea environment</li> <li>• access to bulb from above: lamp easy to change</li> <li>• for all sea going vessels with a length of 20 meters or more</li> <li>• according to the International Regulations for preventing collisions at sea 1972 (COLREGs – IMO72)</li> <li>• Approval: Det Norske Veritas (DNV), according to EN-ISO 14744</li> </ul>



**Delivery of Custom-Made Lights on Request**

**Spare Parts on Request**

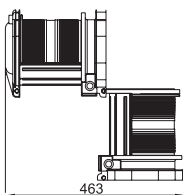
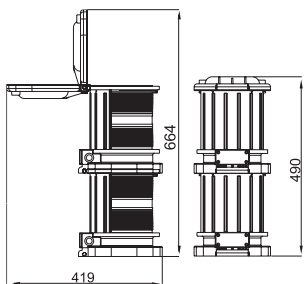
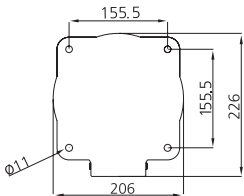
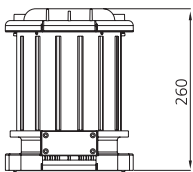
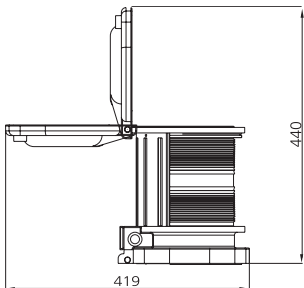
# Oceanic De-Ice

Single and Double Deck Navigation Lights for Polar Areas



Oceanic De-Ice

**NEW  
SERIES**



## Optical Performance

Starboard Side	Port Side	Masthead	Stern	Towing	Signalling	Manoeuvring	Suez	Steering
112,5°	112,5°	225°	135°	135°	360°	360°	135°	30°
3nm	3nm	6nm	3nm	3nm	3nm	3nm	3nm	>2nm
green	red	white	white	yellow	white red green yellow blue	white	red	blue

## Technical Data

Name	Wattage	kg	Description
Oceanic De-Ice	40W 60W 65W	2	<ul style="list-style-type: none"> <li>• IP 66</li> <li>• 24V / 110V / 230V</li> <li>• lampholder: P28S</li> <li>• polycarbonate housing reinforced with fibreglass</li> <li>• polycarbonate fresnel lens, shock and UV resistant</li> <li>• integrated branching box in every light</li> <li>• non magnetic</li> <li>• fully resistant to sea environment</li> <li>• access to bulb from above: lamp easy to change</li> <li>• for all sea going vessels with a length of 20 meters or more</li> <li>• according to the International Regulations for preventing collisions at sea 1972 (COLREGs – IMO72)</li> <li>• Approval: Det Norske Veritas (DNV), according to EN-ISO 14744</li> <li>• The bulbs used in our navigation lights are immune to low temperatures as they emit a considerable amount of infrared heat. In certain conditions of polar navigation, it is needed to provide an extra-heating for deicing the lens surfaces as it is recommended by the DNV in its document "Class Notation De-Ice". This is achieved in our OCEANIC lights by a radiant heater located in the lower part inside of the lantern. They are isolated from the base by four technically superior ceramic columns, emitting up to 60 watts of heat and controlled by a thermostat.</li> </ul>

**Delivery of Custom-Made Lights on Request**

**Spare Parts on Request**

**NEW  
SERIES**



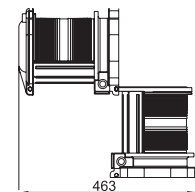
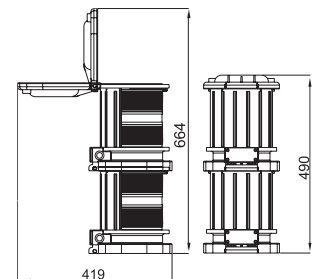
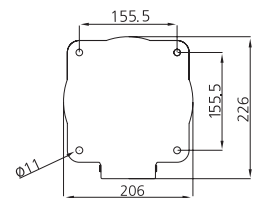
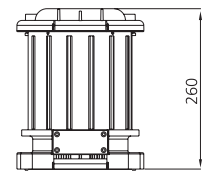
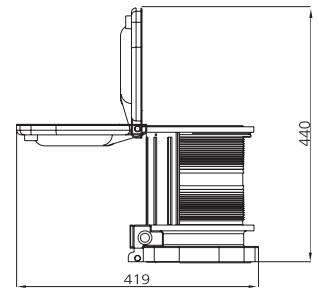
Oceanic NVG

### Optical Performance

Starboard Side	Port Side	Masthead	Stern	Towing	Signalling	Manoeuvring	Suez	Steering
112,5°	112,5°	225°	135°	135°	360°	360°	135°	30°
3nm	3nm	6nm	3nm	3nm	3nm	3nm	3nm	>2nm
grün	red	white	white	yellow	white red green yellow blue	white	red	blue

### Technical Data

Name	Wattage	kg	Description
Oceanic NVG	40W 60W 65W	3,9	<ul style="list-style-type: none"> <li>• IP 66</li> <li>• 24V / 110V / 230V</li> <li>• lampholder: P28S</li> <li>• polycarbonate housing reinforced with fibreglass</li> <li>• polycarbonate fresnel lens, shock and UV resistant</li> <li>• integrated branching box in every light</li> <li>• non magnetic</li> <li>• fully resistant to sea environment</li> <li>• access to bulb from above: lamp easy to change</li> <li>• for all sea going vessels with a length of 20 meters or more</li> <li>• according to the International Regulations for preventing collisions at sea 1972 (COLREGS – IMO72)</li> <li>• Approval: Det Norske Veritas (DNV), according to EN-ISO 14744</li> <li>• OCEANIC NVG Navigation Lights provides full solutions to match the regulations established in Stanag 1445, Stage 2, taking into consideration the contents of FAA (Federal Aviation Administration) NVG Human Factors document, for approaches, launches and recoveries in NVG Operations.</li> <li>• Stage 2 reads as follows: "NVG Friendly Ship's lights will cause a controlled degree of interference to night vision goggles, but must be able to be clearly seen both through goggles and by the naked eye"</li> <li>• Our lights of the type OCEANIC NVG comply with above requirements, filtering their light emission with high quality interferential filters with cut-off frequencies as per class B in NVG human factors document.</li> <li>• an anti-vibration set is delivered with every light</li> </ul>



Delivery of Custom-Made Lights on Request

Spare Parts on Request

# Oceanic TP

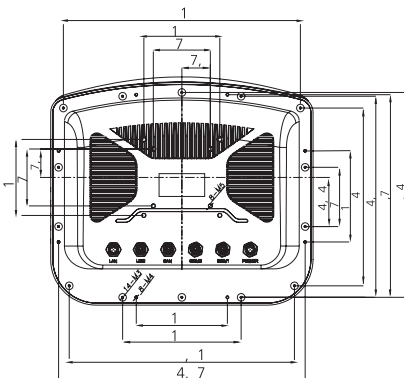
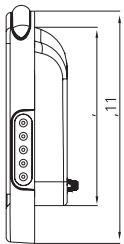
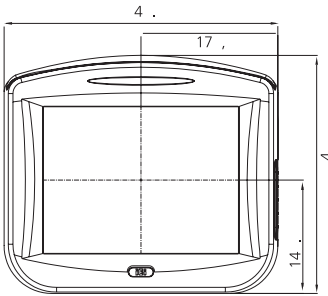
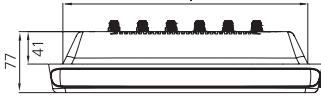
Touchscreen Panel for Navigation Lights

karl-dose.com/**Oceanic**



Oceanic TP

**NEW  
SERIES**



## Technical Data

Name & No.	Description
Oceanic TP	<ul style="list-style-type: none"> <li>Oceanic TP is a rugged, versatile, easy to use control system for navigation and signaling lights. The control panel switches and monitors traditional incandescent lights. The system consists of two different units:               <ul style="list-style-type: none"> <li><i>Touch Screen Control Panel</i>: 12.1", ruggedly constructed, IP67, able to withstand the highest demands, protected against shock and vibration</li> <li><i>Control Box</i>: including power supply unit, CPU, commutating module, power modules / dimensions: 600 x 400 x 150</li> </ul> </li> </ul> <p><b>Application</b></p> <ul style="list-style-type: none"> <li>all vessels requiring navigation and signal lights to be continuously monitored</li> <li>Suez, Panama, Kiel Canal, Japanese Waters, St. Lawrence lights, etc.</li> <li>all vessels with space problems in the console</li> <li>all military vessels needing a versatile, custom made control panel able to dim the navigation lights</li> </ul> <p><b>Technical Features</b></p> <ul style="list-style-type: none"> <li>24V / 115V / 230V power supply</li> <li>automatic switch over from mains supply to emergency (optional manual switch)</li> <li>continuous supervision of navigation lamps, wiring, power supply and control modules</li> <li>monitoring of status of each individual lamp, type and location of failures</li> <li>visual and acoustic alarms, acknowledgement and alarm test button</li> <li>automatic switch over from main lamp to spare lamp (double tier light)</li> <li>mimics with LEDs showing system availability included in the panel</li> <li>dimnable control panel ensuring easy reading at night</li> <li>sunlight readable</li> <li>ambient light sensor</li> <li>programmable settings: at sea, at anchor, NUC, RAM and other options according to customer's specifications and requirements</li> <li>galvanic isolation</li> <li>voltage free output</li> <li>prepared to connect one or several panels</li> <li>able to integrate the Suez Canal, Kiel Canal and any other special lights</li> <li>BUS connection RS485</li> </ul> <p><b>Military Configuration</b></p> <ul style="list-style-type: none"> <li>EMC cable glands, IP 57</li> <li>dimmer for navigation lights</li> <li>LCD screen indicating illumination level (%) of the lamps when they are dimmed</li> <li>possibility of a mix of conventional navigation lights and friendly navigation lights (NVG), being the latter not necessary to be dimmed</li> </ul> <p><b>Certification</b></p> <ul style="list-style-type: none"> <li>Touch Screen certified by DNV</li> <li>specifications according to all relevant classification societies</li> </ul>

**Spare Parts on Request**



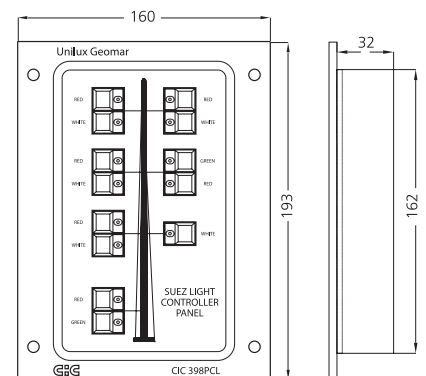
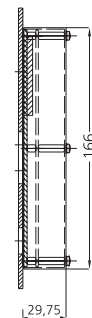
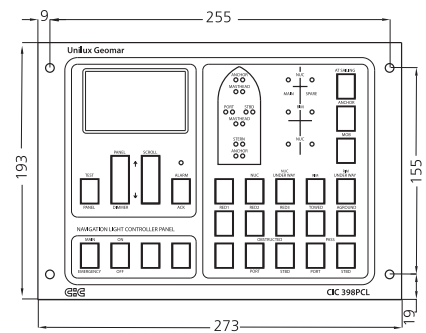
**NEW  
SERIES**



Oceanic PCL

**Technical Data**

Name & No.	Description
Oceanic PCL	<ul style="list-style-type: none"> <li>Oceanic PCL is a versatile, easy to use control system for navigation and signaling lights. The control panel switches and monitors traditional incandescent lights. The system consists of 2 different units:  <i>Control Panel:</i> black backlighted, flush mounted panel with custom made configuration, LCD for system status display / dimensions: 273 x 193 x 30  <i>Control Box:</i> including power supply unit, CPU, commuting module, power modules / dimensions: 600 x 400 x 150</li> </ul> <p><b>Application</b></p> <ul style="list-style-type: none"> <li>all vessels requiring navigation and signal lights to be continuously monitored</li> <li>Suez, Panama, Kiel Canal, Japanese Waters, St. Lawrence lights, etc.</li> <li>all vessels with space problems in the console</li> <li>all military vessels needing a versatile, custom made control panel able to dim the navigation lights</li> </ul> <p><b>Technical Features</b></p> <ul style="list-style-type: none"> <li>24V / 115V / 230V power supply</li> <li>automatic switch over from mains supply to emergency (optional manual switch)</li> <li>continuous supervision of navigation lamps, wiring, power supply and control modules</li> <li>LCD display showing the status of each individual lamp, type and location of failures</li> <li>visual and acoustic alarms, acknowledgement and alarm test button</li> <li>automatic switch over from main lamp to spare lamp (double tier light)</li> <li>mimics with LEDs showing system availability included in the panel</li> <li>test buttons for panel's LED</li> <li>dimmmable control panel ensuring easy reading at night</li> <li>programmable settings: at sea, at anchor, NUC, RAM and other options according to customer's specifications and requirements</li> <li>galvanic isolation</li> <li>voltage free output</li> <li>prepared to connect one or several panels</li> <li>able to integrate the Suez Canal, Kiel Canal and any other special lights</li> <li>BUS connection RS485</li> </ul> <p><b>Military Configuration</b></p> <ul style="list-style-type: none"> <li>EMC cable glands, IP 57</li> <li>dimmer for navigation lights</li> <li>LCD screen indicating illumination level (%) of the lamps when they are dimmed</li> <li>possibility of a mix of conventional navigation lights and friendly navigation lights (NVG), being the latter not necessary to be dimmed</li> </ul> <p><b>Certification</b></p> <ul style="list-style-type: none"> <li>Touch Screen certified by DNV</li> <li>specifications according to all relevant classification societies</li> </ul>



**Spare Parts on Request**