

## AREAMASTER™ GENERATION 2 LED ZONE 1 LUMINAIRE

### APPLICATIONS

- For use in locations where:
  - Hazardous areas designated as: Zone 1, 2, 21 and 22
  - A high degree of corrosion resistance is required
  - Protection against gas, dust, water and moisture is necessary
- Typical applications include:
  - A wide range of harsh and hazardous areas where flammable gases and vapors are present, for example:
    - Oil and Gas Refineries
    - Petrochemical Plants
    - Foundries
    - Drilling Rigs
    - Pulp and Paper Mills
    - Food and Beverage Processing Facilities
    - Loading Docks
    - Power Plants
    - Water and Wastewater Treatment Facilities
    - Other areas where corrosive, wet, dirty and tough environments are a problem
    - IP66/67; marine and wet locations
    - Extreme hot/cold temperature environments: -40°C to +65°C (-40°F to +149°F)

### FEATURES

- Three lumen outputs provide up to 18,500 lumens.

Nominal Lumens ①	Wattage (W)	Efficacy (lpw)	HID Equivalent	Model Number
9,000	65	139	175W-250W	AMLZL6
14,000	105	133	250W-400W	AMLZL7
18,500	144	129	400W-750W	AMLZL8

① Nominal lumen value for 5000K CCT. Detailed lumen information provided in catalog pages.

- Separate field wiring compartment with screw terminal block for easy and secure connection (can accept UL/CSA 26-10 AWG, 4 to 6 mm<sup>2</sup>)
- Two ¾" NPT entries provided. Metric M20 adapters available.
- Yoke bracket is designed to accommodate traditional Areamaster brackets and slipfitters for easy retrofit.
- Choice of color temperature (CCT): 5000K cool white, 4000K neutral white or 3000K warm white
- Rugged and compact housing with superior thermal design translates to long luminaire life
- Heavy duty, high temperature silicone rubber gaskets
- Thermal shock and impact resistant clear or frosted glass lens
- Standard 6Kv surge protection
- Captive fasteners secure on piece lens
- Field replaceable LED driver and lens cover
- Photobiological safety rating: Risk Group Zero (RG0) with frosted glass; Risk Group One (RG1) with clear glass

### STANDARD MATERIALS

- Housing and lens door: copperfree aluminum (4/10 of 1% maximum)
- Gaskets: silicone rubber
- Yoke: zinc plated HR steel
- Bolts: stainless steel
- Close up plugs: (1) aluminum provided
- Guard and safety cable: stainless steel
- Visor: aluminum

### STANDARD FINISHES

- Housing, lens cover, visor and yoke mount: architectural bronze polyester

### OPTIONS

- Improved safety cable design with multiple retention points, purchase separately.
- Guard and visor available, purchase separately
- Slip-fitters and mounting brackets available for easy pole or wall mounting

### NEC/CEC RATINGS

- Class I, Zone 1 AEx/Ex eb mb Group IIC Gb
- Class I, Zone 21 AEx/Ex tb Group IIC Db

### ATEX/IECEx RATINGS

- Zone 1, 2, 21, 22
- Ex eb mb op is IIC
- II 2 GD
- IP66/67
- IK08

### ATEX/IECEx CERTIFICATIONS AND COMPLIANCES

- Certification Type: Areamaster Gen 2
  - Gas: Zone 1 and 2
    - Conforming to ATEX 2014/34/EU: II 2 G
    - Type of Protection: Ex eb mb op is IIC Gb
    - Temperature Class: T6 to T4
  - Dust: Zones 21 and 22
    - Conforming to ATEX 2014/34/EU: II 2 D
    - Type of Protection: Ex op is tb IIIC Db
    - Surface Temperature: +85°C to +100°C (-185°F to +212°F)
- Ambient Temperature: -40 °C to +65 °C (-40 °F to +149 °F)
- ATEX Certificate: ITS18ATEX303521
- IECEx Certificate: IECEx ITS 18.0031
- Index of Protection according to EN/IEC 60529: IP66/67
- Impact Resistance (shock): IK08
- Photobiological Safety, IEC 62778 and IEC 62471: RG0 with frosted glass, RG1 with clear glass

APPLETON™

For product information:  
www.masteringled.com  
1.800.621.1506

  
EMERSON™

CONSIDER IT SOLVED™

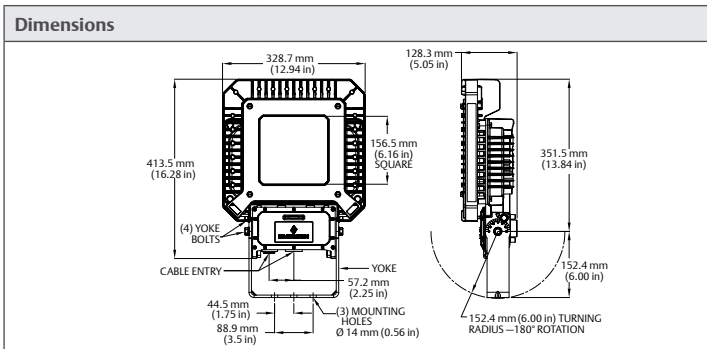
# AREAMASTER™ GENERATION 2 LED ZONE 1 LUMINAIRE

## CATALOG NUMBERING GUIDE

<b>AMLZ</b> Series: AMLZ: Areamaster Generation 2 LED Zone 1	<b>L7</b> Lumen Level ①: L6 – 9K L7 – 14K L8 – 18.5K	<b>C</b> Color Temp CCT: C - 5000K (Cool White) N – 4000K (Neutral) W - 3000K (Warm White)	<b>G</b> Diffusion: G - Clear Glass F - Frosted Glass ②	<b>6</b> Beam Spread: 6 - 7x7 7 - 7x6	<b>BU</b> Voltage: BU - 120-277 Vac 50/60 Hz, 170- 300 Vdc	<b>M</b> Options: M - M20 Metric
--	--	--	--	--	--	--

	AMLGL6	AMLGL7	AMLGL8
Equivalent to HPS/PSMH	175-250 Watt	250-400 Watt	400-750 Watt
Voltage Range	120-277 Vac, 170-300 Vdc, 50/60 Hz		
Input Power	65 Watts	105 Watts	144 Watts
Luminous Flux (5000K Clear) ①	9,000	14,000	18,500
Efficacy	138 lm/w	133 lm/w	129 lm/w
Correlated Color Temperature	5000K   4000K   3000K		
Color Rendering Index	70   80		
Ambient Temperature	-40°C to +65°C (-40°F to +149°F)		
T Rating ATEX/IECEx Zone 1	T5 at +65°C (+149°F)	T4 at +65°C (+149°F)	T4 at +65°C (+149°F)
Luminaire Weight	10.5kg (23lb)		
Standard Materials	Housing: copperfree (4/10 of 1% max.) aluminum		
	Finish: architectural bronze polyester powder coat		
	Lens: thermal shock and impact-resistant glass (clear or frosted)		
LED Lifetime (L70B10)	>100,000 hours at +40°C (+104°F) ambient temperature		
	>60,000 hours at +65°C (+149°F) ambient temperature		
Warranty	5 years standard		

Image	Luminaire Category	Effective Projected Area (EPA) = FPA * DC m² (ft²)
	90° to Ground-Worst Case Mounting	0.6 (1.82)
	45° to Ground-Standard Mounting	0.4 (1.28)



### Photometric Data

**7x7, Frosted Glass**

**7x6, Clear Glass**

① All lumen values are typical (tolerance +/- 10%).  
 ② Frosted Glass is only available with NEMA 7x7 light pattern.

United States: 1.800.621.1506 | Asia/Pacific: + 65.6556.1100 | Australia: + 61 3 9721 0387  
 Canada: + 1.888.765.2226 | China: + 86.21.3338.7000 | Europe: + 33.3.22.54.13.90  
 Mexico/Latin America: + 52.55.5809.5049 | Middle East/Africa/India: + 971.4.811.8100  
[www.masteringled.com](http://www.masteringled.com)

