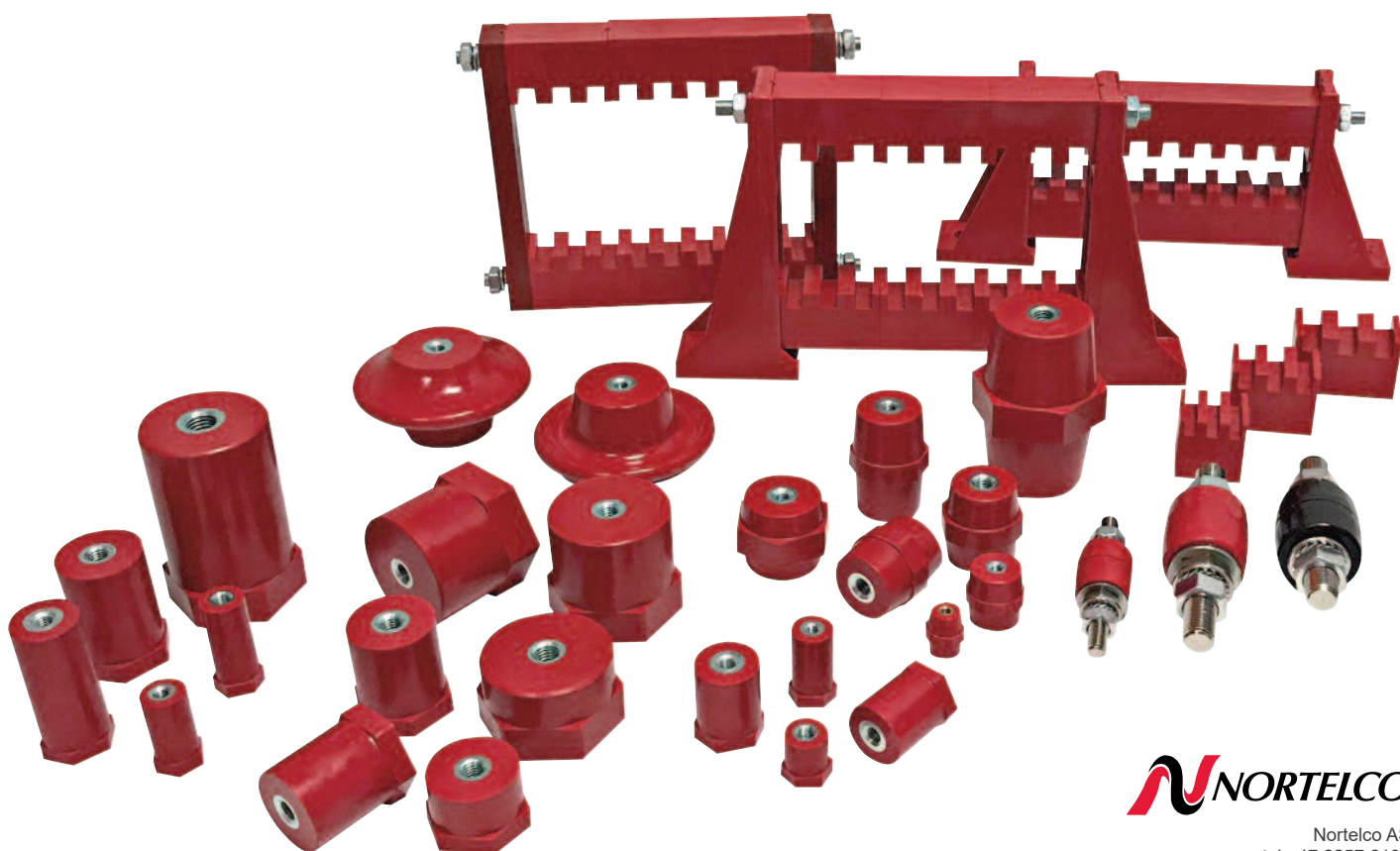


2019 **ERB**

CATALOGO GENERALE *GENERAL CATALOGUE*



NORTELCO

Nortelco AS
tel +47 2257 6100
www.nortelco.no



Da oltre 50 anni siamo presenti sul mercato quali produttori qualificati di isolatori e portasbarre per bassa tensione presso le aziende ed enti più importanti del settore.

Il nostro marchio **ERIB**, il più vecchio d'Europa, è riconosciuto in tutto il mondo come **garanzia di qualità**. **Tutti** i nostri isolatori sono infatti realizzati in **massa poliestere** rinforzata con fibra di vetro "BMC RF 3/20", fornita dall'azienda POLMIX SRL, certificata UL 94 V-0 file nr. E205214 e classificata **HL2** secondo la **EN 45545-2**.

Continuiamo inoltre a produrre tramite **stampaggio a compressione** per ottimizzare le elevate caratteristiche elettriche e meccaniche del poliestere.

Per questa ragione i nostri isolatori sono in grado di sopportare senza inconvenienti sollecitazioni particolarmente gravose come shock meccanici, colpi di calore e scariche elettriche, che danneggiano la maggior parte dei materiali convenzionali.

Questa loro resistenza è inoltre garantita **a lungo termine**, i nostri isolatori infatti mantengono **intatte** le loro caratteristiche per molti anni.

Abbiamo una delle più vaste gamme di misure per soddisfare le diverse esigenze dei nostri clienti e un magazzino sempre ben fornito per garantire **i migliori tempi di consegna**.

La nostra serie DB/P e portasbarre PSB sono stati testati per resistenza al cortocircuito secondo la **EN 61439-2**.

From over 50 years we've been in business as qualified manufacturer of low voltage insulators and bus bar systems and supply the most important companies.

Our mark **ERIB**, the oldest one in Europe, is recognized all over the world as a **quality guarantee**.

All our insulators are indeed made of **polyester material** reinforced with fiberglass "BMC RF 3/20", supplied by the company POLMIX SRL, UL certified UL 94 V-0 file nr. E205214 and classified **HL2** according to the **EN 45545-2**.

We continue to manufacture insulators by **compression moulding** in order to optimise the high-level electrical and mechanical performances of polyester material.

For this reason our insulators endure, without any inconveniences, particularly heavy stresses like mechanical shock, heat-strokes, electric discharges, which generally cause damages when using other material.

Their resistance is **long term guaranteed**, our insulators indeed keep intact their characteristics for many years.

We have one of the widest range of sizes to meet the different needs of our customers and a warehouse always well stocked to guarantee **the best delivery times**.

Our series type DB/P and our vertical rodholders PSB are tested for shortcircuit resistance according to **EN 61439-2**.

Tutti i nostri isolatori sono certificati UL



File nr. E502533

Categoria QEUY2/8 per isolatori con voltaggio massimo 1000 V.
Secondo gli standard UL67, UL891, CSA C22.2 NO. 29-15 e 244-05.

File nr. E502534

Categoria DLAR2/8 per isolatori con voltaggio superiore ai 1000 V.
Secondo gli standard IEEE C37.20.2/3 e CSA C22.2 NO. 31-18.



L'intero ciclo produttivo dei nostri isolatori viene realizzato completamente in Italia con prodotti di sola origine italiana, a partire dalle materie prime fino all'imballaggio finale.

All our insulators are UL certified



File nr. E502533

Categoria QEUY2/8 per panelboard components
with operating voltage 1000 V max.
According to standards UL67, UL891, CSA C22.2 NO. 29-15 e 244-05.

File nr. E502534

Categoria DLAR2/8 per panelboard components
with operating voltage above 1000V
According to standards IEEE C37.20.2/3 e CSA C22.2 NO. 31-18.



The entire production cycle of our insulators is completely made in Italy with products of Italian origin only, from the raw materials to the final packaging.

Scheda Tecnica Massa Poliestere

Technical Data Sheet Polyester Material

POLMIX BMC RF 3/20

Ritiro lineare <i>Linear shrinkage</i>	ISO 2577	%	0,10 ± 0,03
Peso specifico <i>Density</i>	ISO 1183	g/cm ³	1,80 ± 0,02
Assorbimento acqua <i>Water absorption</i>	ISO 62	%	< 0,2
Resistenza alla flessione <i>Flexural strenght</i>	UNI EN ISO 178	MPa	90
Modulo elastico a flessione <i>Flexural modulus</i>	UNI EN ISO 178	MPa	10000
Hot Deflection Temperature	ISO 75	°C	> 200
Resilienza Charpy <i>Impact strenght</i>	UNI EN ISO 179	KJ/m ²	30
Resistenza alle correnti superficiali <i>Tracking resistance</i>	IEC 60112	V	600
Resistività superficiale <i>Surface resistivity</i>	IEC 60093	Ohm	1.00E + 013
Rigidità dielettrica <i>Dielectric strenght</i>	UNI 4291	kV/mm	17
Resistenza all'arco <i>Arc resistence</i>	ASTM D295	s	> 180
Prova a filo incandescente <i>Glow wire test</i>	IEC 60695-2-12	°C	960
Autoestinguenza per applicazioni ferroviarie <i>Fire protection on railway vehicles</i>	EN45545	Class	HL2
Autoestinguenza <i>Fire retardancy</i> Nr. File UL : E205214	UL 94	Class	V0 (3 mm)

Classificazione secondo la EN 45545-2

Classification according to the EN 45545-2

CSI
 CERT

Attestato n°: 0923.DC/REA/18_1
 Substrato n°:

Visti i rapporti di Prova CSI n. 0923.DC/REA/18 e 0094.DC/TOX/18
Referring to the CSI test reports n. 0923.DC/REA/18 and 0094.DC/TOX/18

si dichiara che
we declare that

BMC RF3/20
 (Lastra in resina poliestere rinforzata con fibra di vetro e cariche minerali, spessore 3 mm)
 (Glass fiber reinforced polyester resin sheet with mineral fillers, 3 mm thick)

Fabbricato da:
 Manufactured by

POLMIX S.r.l.
 Via Duca d'Aosta, 3
 21052 - BUSTO ARSIZIO (VA)
 Italia

è conforme alla norma
is found to comply with the standard

EN 45545-2:2013+A1:2015 requisiti R22/R23 per HL1, HL2 e HL3
 per le prove T01, T10.03 e T12
 EN 45545-2:2013+A1:2015 requirements R22/R23 for HL1, HL2 and HL3
 For the tests T01, T10.03 and T12

Data di rilascio/certificazione issue date: 30/10/2018

ing. P. Fumagalli

CSI

L.S. FIRE TESTING INSTITUTE Srl
 Via Belfiore, 4 - 34010 CONTROGGIERA (TN) - ITALY
 Tel. +39 0461 980788 - Fax +39 0461 980779

Classificazione secondo la norma / Classification according to standard
EN 45545 part 2 (Ed. 2013)
Part 2: Requirements for fire behaviour of materials and components

Railway application - Fire protection on railway vehicles -
Part 2: Requirements for fire behaviour of materials and components

Cliente / Customer: **POLMIX Srl**
 Viale Duca d'Aosta
 I - 21052 Busto Arsizio (VA)

Prodotto / Product: **BMC RF 3/20**

Descrizione / Description:
 Composito a stampaggio in massa
 Resina poliestere con cariche minerali rinforzata con fibra di vetro con ossido di alluminio
 idrata / ATH
 spessore: (3 ± 0,3) mm - densità: 1,95 kg/m³
 Bulk moulding compound
 polyester resin with mineral fillers reinforced by glass fiber and with hydrate aluminium
 oxide / ATH
 thickness: (3 ± 0,3) mm - density: 1,95 kg/m³
 Stampaggio a compressione di isolatori distanziatori, colonnine distanziatrici e portaborre
 verticali
 Compression moulding of spacing insulators, spacing bolt insulators and vertical rodholders
 EL3C
R 7

Utilizzo / Use: **Tabella dei risultati / Tables of results:**

ISO 5658-2 Report LSFire 03565 Spread of flame	EN ISO 5659-2 50 kW/m ² + no PF Report LSFire 03566	ISO 5660-1 Report LSFire 03399 Heat release
CFE (kW/m ²) 44,5	Class HL 3	Class HL 3
	D _s max 431,81	Toxicity Class HL 2
		Class HL 3
		MARHE (kW/m ²) 67,1
		Class HL 2

Classificazione finale
Final classification:

HL2

Controguerra, 17-02-2014

Questo documento è emesso da n°1 pagine e può essere riprodotto solo integralmente.
 This document is composed by n°1 pages and it can be reproduced only on the whole.

DIRETTORE TECNICO
TECHNICAL DIRECTOR
Madalena Pezzoni

L.S. FIRE TESTING INSTITUTE Srl

Pag. 1/1

Certificazione UL categoria QEUY2/8

UL certification category QEUY2/8

CERTIFICATE OF COMPLIANCE

Certificate Number 20190509-E502533
 Report Reference E502533-20180924
 Issue Date 2019-MAY-09

Issued to: ERIM SRL
 via Bovisasca 24/26
 20026 Novate Milanese MI ITALY

This certificate confirms that representative samples of COMPONENT - PANELBOARD AND SWITCHBOARD ACCESSORIES See Addendum Page

Have been investigated by UL in accordance with the component requirements in the Standard(s) indicated on this Certificate. UL Recognized components are incomplete in certain constructional features or restricted in performance capabilities and are intended for installation in complete equipment submitted for investigation to UL LLC.

Standard(s) for Safety: UL 67, STANDARD FOR PANELBOARDS
 UL 891 & CSA C22.2 NO. 244-05, SWITCHBOARDS
 CSA C22.2 NO. 29-15, PANELBOARDS AND ENCLOSED PANELBOARDS

Additional Information: See the UL Online Certifications Directory at <https://iq.ulprospector.com> for additional information.

This Certificate of Compliance does not provide authorization to apply the UL Recognized Component Mark. Only the UL Follow-Up Services Procedure provides authorization to apply the UL Mark.

Only those products bearing the UL Recognized Component Mark should be considered as being UL Certified and covered under UL's Follow-Up Services.

Look for the UL Recognized Component Mark on the product.

Samling

UL LLC

Any information and accreditation regarding UL Mark services are provided on behalf of UL LLC (LLC) or any authorized licensee of UL. For questions, please contact a local UL Customer Service Representative at ul@ulprospector.com



CERTIFICATE OF COMPLIANCE

Certificate Number 20190509-E502533
 Report Reference E502533-20180924
 Issue Date 2019-MAY-09

This is to certify that representative samples of the product as specified on this certificate were tested according to the current UL requirements.

USR CNR - Recognized Component- Standoff Insulators-

DB Series		COP Series		CSP Series		C/P Series		CPE Series		Type FF		PSB Series		PEP Series					
Part No.	Part No.	Part No.	Part No.	Part No.	Part No.	Part No.	Part No.	Part No.	Part No.	Part No.	Part No.	Part No.	Part No.	Part No.	Part No.	Part No.	Part No.	Part No.	
DB 16/P	DB 25/P	DB 35/P	DB 40/P	DB 50/P	DB 60/P	DB 70/P	DB 75/P	DB 100/P											
DB 20/P	DB 30/P	DB 34/P	DB 45/P	DB 65/P															
COP 16	COP 25	COP 30	COP 35	COP 40	COP 45	COP 50	COP 55	COP 60											
COP 20																			
CSP 30	CSP 40	CSP 45	CSP 50	CSP 55	CSP 60	CSP 65	CSP 70												
CSP 35																			
C/P 30	C/P 40	C/P 45	C/P 50	C/P 55	C/P 60	C/P 65	C/P 70												
C/P 35																			
CPE 40	CPE 80	CPE 100																	
EIC 100010	EIC 100012																		
PSB 6	PSB 8	PSB 10	PSB 1	PSB 2	PSB 120														
PIP-4	PIP-6	PIP-8	PIP-10	PIP-12	PIP-16	PIP-20													
NAD29																			

Samling

UL LLC

Any information and accreditation regarding UL Mark services are provided on behalf of UL LLC (LLC) or any authorized licensee of UL. For questions, please contact a local UL Customer Service Representative at ul@ulprospector.com



Certificazione UL categoria DLAR2/8

UL certification category DLAR2/8

CERTIFICATE OF COMPLIANCE

Certificate Number 20190509-E502534
 Report Reference E502534-20181115
 Issue Date 2019-MAY-09

Issued to: ERIM SRL
 via Bovisasca 24/26
 20026 Novate Milanese MI ITALY

This certificate confirms that representative samples of COMPONENT - ACCESSORIES FOR USE IN CIRCUIT BREAKERS AND METAL-CLAD SWITCHGEAR OVER 1000 VOLTS
 See Addendum Page

Have been investigated by UL in accordance with the component requirements in the Standard(s) indicated on this Certificate. UL Recognized components are incomplete in certain constructional features or restricted in performance capabilities and are intended for installation in complete equipment submitted for investigation to UL LLC.

Standard(s) for Safety: IEEE C37.20.2, METAL-CLAD SWITCHGEAR
 CSA C22.2 NO. 31-14, SWITCHGEAR ASSEMBLIES

Additional Information: See the UL Online Certifications Directory at <https://iq.ulprospector.com> for additional information.

This Certificate of Compliance does not provide authorization to apply the UL Recognized Component Mark. Only the UL Follow-Up Services Procedure provides authorization to apply the UL Mark.

Only those products bearing the UL Recognized Component Mark should be considered as being UL Certified and covered under UL's Follow-Up Services.

Look for the UL Recognized Component Mark on the product.

Samuel

UL LLC
 New York, NY, United States of America
 Any information and/or certification is provided on behalf of UL LLC (UL) or any subsidiary of UL. For questions, please contact a local UL Customer Service Representative at ULCustomerService@ul.com



CERTIFICATE OF COMPLIANCE

Certificate Number 20190509-E502534
 Report Reference E502534-20181115
 Issue Date 2019-MAY-09

This is to certify that representative samples of the product as specified on this certificate were tested according to the current UL requirements.

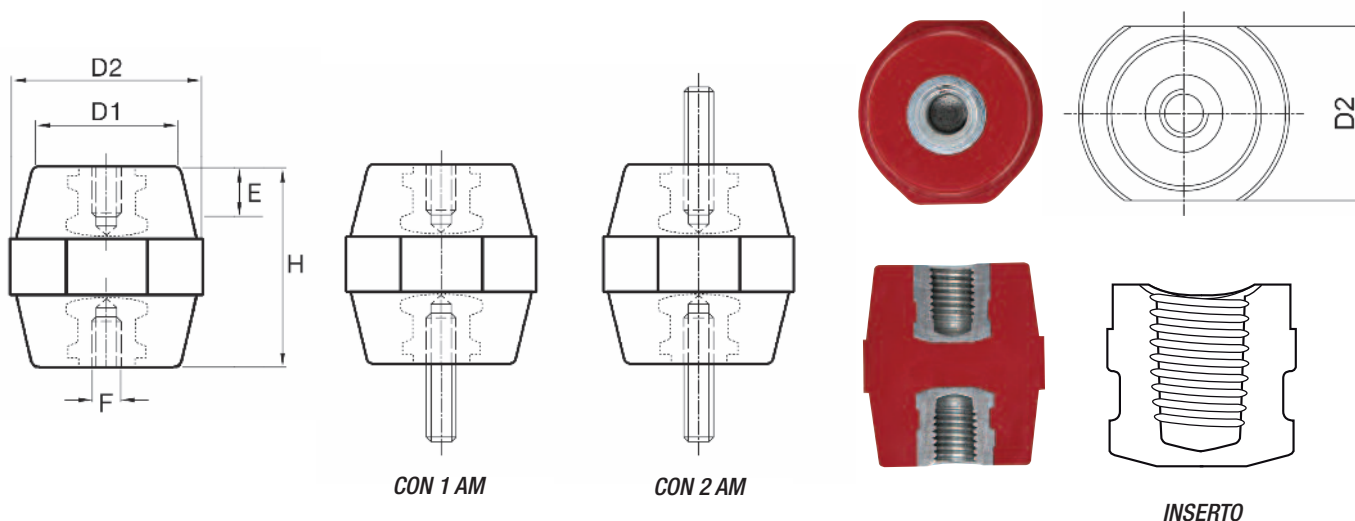
USR - Accessories for Use in Circuit Breakers and Metal-Clad Switchgear Over 1000 Volts - Standoff Insulators
 CNR - Accessories for Use in Circuit Breakers and Metal-Clad Switchgear Over 750 Volts - Standoff Insulators

Part No.	Part No.	Part No.	Part No.
DB 35/P	DB 45/P	DB 65/P	DB 75/P
DB 35/P	DB 50/P	DB 70/P	DB 100/P
DB 40/P	DB 60/P	DB 75/P	
CO/P 45	CO/P 50	CO/P 655	CO/P 60
CS/P 30	CS/P 45	CS/P 60	CS/P 65
CS/P 35	CS/P 50	CS/P 65	CS/P 70
CS/P 40	CS/P 55		
CT/P 30	CT/P 45	CT/P 60	CT/P 65
CT/P 35	CT/P 50	CT/P 60	CT/P 65
CT/P 40	CT/P 55	CT/P 65	CT/P 70
CPE 40	CPE 50		
CPE 50	CPE 100		
121C10010	121C10012	121C10016	
PI/P-16	PI/P-20		

Samuel

UL LLC
 New York, NY, United States of America
 Any information and/or certification is provided on behalf of UL LLC (UL) or any subsidiary of UL. For questions, please contact a local UL Customer Service Representative at ULCustomerService@ul.com





Isolatori Distanziatori DB/P

Prodotti tramite stampaggio a compressione e realizzati solo in massa poliestere rinforzata con fibra di vetro BMC RF 3/20 certificata UL e classificata HL2 secondo la EN 45545-2.

Su richiesta possiamo fornire gli isolatori con:

- > Inserti femmina in **inox**
- > Inserti femmina in **pollici**
- > Uno o due attacchi maschio "AM" montati e bloccati

Standoff Insulators DB/P

Manufactured by compression molding and made only in polyester material reinforced with fiberglass BMC RF 3/20 UL certified and classified HL2 according to EN 45545-2.

On request we can supply the insulators with:

- > Female inserts made of **stainless steel**
- > Female inserts in **inches sizes**
- > One or two male connections type "AM" set and locked



I nostri prodotti sono certificati UL:
Our products are UL certified:
File Nr. E502533 - File Nr. E502534



I nostri prodotti sono conformi alle seguenti direttive Europee:
Our products are in conformity with the European standards:
Direttiva Bassa Tensione (Low Voltage Directive) 2014/35/EU
Regolamento REACH (EC Regulation) Nr. 1907/2006
Direttiva RoHS (Council Directive) 2011/65/CE



100% prodotto Italiano
100% Italian product

Articolo Item	F	E (mm)	Valore di serraggio Tightening torque	H (mm)	D1 (mm)	D2 (mm)	Tensione di esercizio Operating voltage	Conf. Pack.	Peso Weight (Kg)
DB 12/P	M 3	3	1 Nm	12	10	11	220 V	1.400	4,00
	M 4	3	2 Nm						
DB 16/P	M 3	4	2 Nm	16	13	14	380 V	700	4,00
	M 4	4	4 Nm						
DB 20/P	M 4	6	4 Nm	20	15	17	500 V	400	4,30
	M 5	6	5 Nm						
	M 6	5	8 Nm						
DB 25/P	M 5	7	6 Nm	25,2	15	19	600 V	250	3,40
	M 6	6	8 Nm						
DB 30/P	M 6	8	12 Nm	30	26	30	600 V	80	3,50
	M 8	8	16 Nm						
DB 34/P	M 6	10	12 Nm	35	28	32	1000 V	64	4,70
	M 8	10	18 Nm						
	M 10	10	24 Nm						
DB 35/P	M 6	10	12 Nm	35,5	35	41	1000 V	36	3,60
	M 8	10	20 Nm						
	M 10	10	26 Nm						
DB 40/P	M 6	13	10 Nm	40	40	46	1000 V	24	3,60
	M 8	13	20 Nm						
	M 10	12	24 Nm						
	M 12	12	36 Nm						
DB 45/P	M 6	12	14 Nm	45	35	41	1500 V	27	3,30
	M 8	12	22 Nm						
	M 10	14	28 Nm						
	M 12	12	36 Nm						
DB 50/P	M 6	12	10 Nm	51	29	36	2000 V	36	3,90
	M 8	12	22 Nm						
	M 10	13	26 Nm						
	M 12	12	36 Nm						
DB 60/P	M 8	14	22 Nm	60	46	55	2000 V	12	3,20
	M 10	16	26 Nm						
	M 12	17	36 Nm						
DB 65/P	M 6	17	12 Nm	63,5	35	41	3000 V	22	3,70
	M 8	16	22 Nm						
	M 10	16	26 Nm						
	M 12	17	36 Nm						
DB 70/P	M 10	16	26 Nm	70	52	65	4000 V	8	3,00
	M 12	16	36 Nm						
	M 16	23	50 Nm						
DB 75/P	M 8	17	22 Nm	76	36	50	5000 V	12	3,00
	M 10	16	26 Nm						
	M 12	17	36 Nm						
DB 750/P	M 8	19	22 Nm	75	52	65	5000 V	8	3,50
	M 10	20	26 Nm						
	M 12	20	36 Nm						
	M 16	21	50 Nm						
DB 100/P	M 10	20	26 Nm	101	52	65	8000 V	4	2,30
	M 12	19	36 Nm						
	M 16	23	50 Nm						

Articolo Item	Tensione di scarica superficiale C.A. A.C. surface flashover voltage (KV)	Tensione di scarica interna C.A. A.C. internal flashover voltage (KV)	Sollecitazione a trazione Tensile stress (DN)	Sollecitazione a flessione Cantilever stress (DN)	Sollecitazione a compressione Compressive stress (DN)	Sollecitazione a torsione Twisting stress (DN x mm)
DB 16/P	3	8	100	50	500	0,4
DB 20/P	4	15	150	60	600	0,4
DB 25/P	7	20	300	180	2.100	3
DB 30/P	8	23	500	250	4.400	3
DB 34/P	10	30	800	450	6.500	5
DB 35/P	10	30	1.100	800	8.000	9
DB 40/P	10	40	1.100	800	8.300	10
DB 45/P	12	40	1.200	800	8.000	10
DB 50/P	12	40	850	450	6.800	6
DB 60/P	15	40	1.500	800	11.700	10
DB 65/P	15	40	1.500	700	8.300	6
DB 70/P	23	50	2.450	950	16.600	10
DB 75/P	25	50	2.300	900	10.000	10
DB 750/P	25	50	2.800	1.500	15.000	13
DB 100/P	30	50	2.950	1.550	16.700	14,5

Temperatura di esercizio / *Operating temperature*: -40° C + 130° C

Carichi di rottura / *Breaking charges*: Tolleranza / *Allowance* ± 10%

Reazione al fuoco / *Fire reaction*: Class UL94-V0 and HL2 for requirements R7 and R22/23 of EN45545-2



I nostri prodotti sono certificati UL:
Our products are UL certified:
File Nr. E502533 - File Nr. E502534



I nostri prodotti sono conformi alle seguenti direttive Europee:
Our products are in conformity with the European standards:
Direttiva Bassa Tensione (Low Voltage Directive) 2014/35/EU
Regolamento REACH (EC Regulation) Nr. 1907/2006
Direttiva RoHS (Council Directive) 2011/65/CE

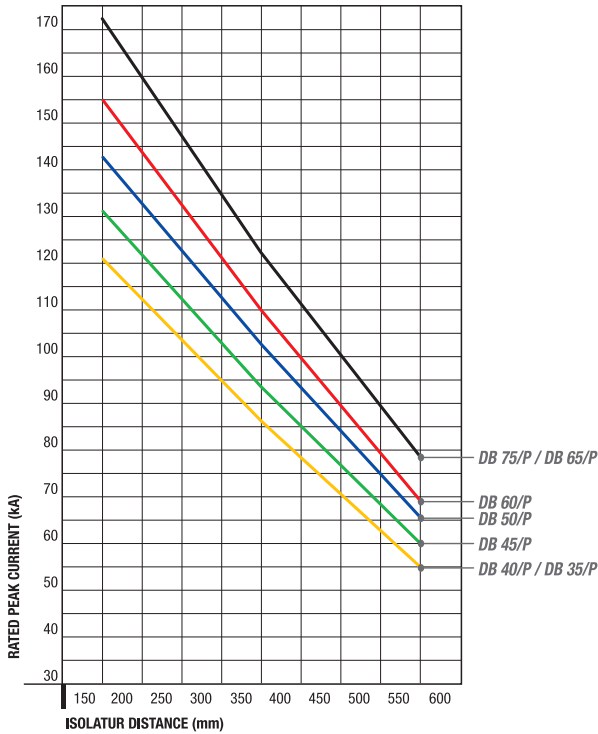


100% prodotto Italiano
100% Italian product

Short-circuiting resistance of the isolators Type DB/P

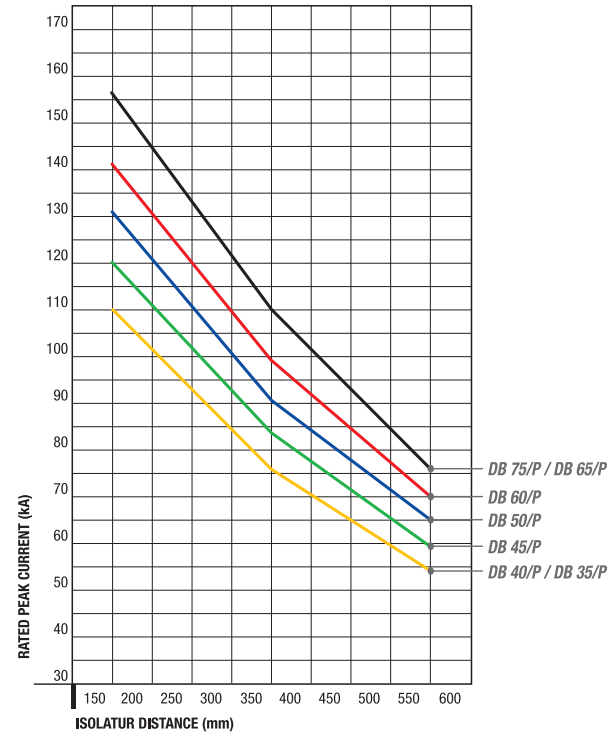
TAB. 1 SHORT-CIRCUITING RESISTANCE / ISOLATOR DISTANCE

Isolator Type: DB 35/P to DB 75/P - M8/M10/M12
Bus bar system Cu 1 x 60 mm x 10 mm / Distance between phases = 185 mm



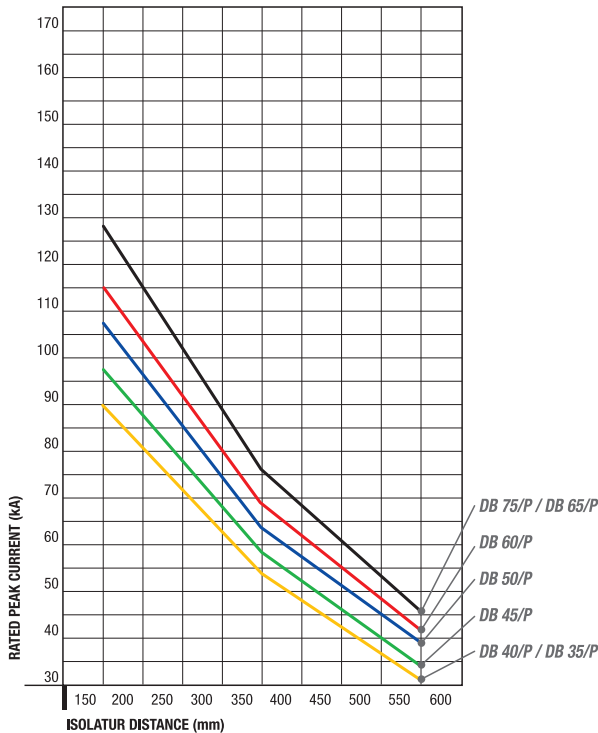
TAB. 2 SHORT-CIRCUITING RESISTANCE / ISOLATOR DISTANCE

Isolator Type: DB 35/P to DB 75/P - M8/M10/M12
Bus bar system Cu 1 x 80 mm x 10 mm / Distance between phases = 185 mm



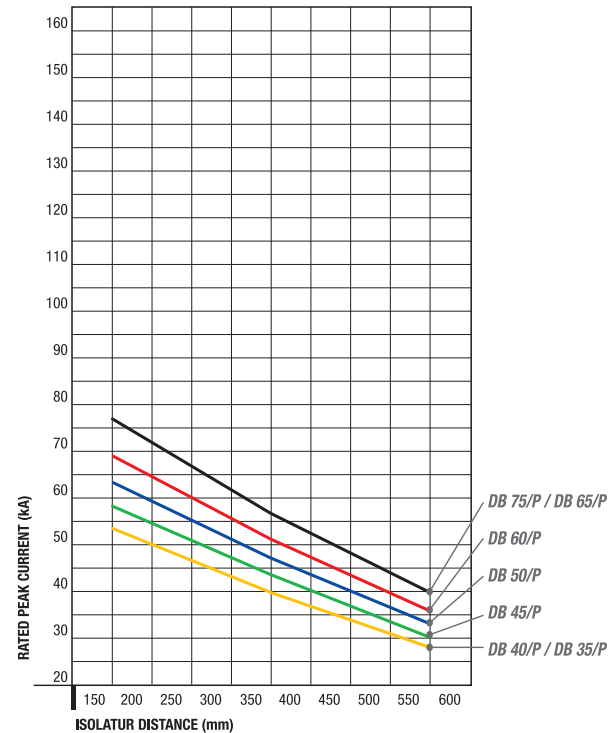
TAB. 3 SHORT-CIRCUITING RESISTANCE / ISOLATOR DISTANCE

Isolator Type: DB 35/P to DB 75/P - M8/M10/M12
Bus bar system Cu 1 x 30 mm x 10 mm / Distance between phases = 100 mm




TAB. 4 SHORT-CIRCUITING RESISTANCE / ISOLATOR DISTANCE

Isolator Type: DB 35/P to DB 75/P - M8/M10/M12
Bus bar system Cu 1 x 40 mm x 10 mm / Distance between phases = 60 mm



TEST PER RESISTENZA AL CORTOCIRCUITO EN 61439-2

SHORT-CIRCUITING RESISTANCE EN 61439-2

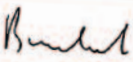


Independent, accredited testing station · Member laboratory of STL and LOVAG

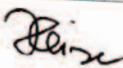
TEST REPORT

NO. 1469.2101265.0692


MBS AG Eisbachstraße 51 74429 Sulzbach-Laufen GERMANY	CLIENT	
Busbar systems: ERIM SRL, Novate Milanese Distance insulators: MBS AG	MANUFACTURER	
Busbar systems for low-voltage switchgear assemblies with distance insulators	TEST OBJECT	
DB/P 50 with M10 & M12 threads	TYPE:	
Test sample	SERIAL NO.	
Rated operational voltage	U_e 400 V	RATED CHARACTERISTICS GIVEN BY THE CLIENT
Rated insulation voltage	U_i 1000 V	
Rated peak withstand current	I_{pk} 63 kA	
30 mm x 10 mm up to	I_{pk} 106 kA	
40 mm x 10 mm up to	I_{pk} 132 kA	
60 mm x 10 mm up to	I_{pk} 144 kA	
80 mm x 10 mm up to	f 50 Hz	
Rated frequency		
IEC 61439-2: 2009-01, EN 61439-2: 2009-11	NORMATIVE DOCUMENT	
Verification of dynamic short-circuit withstand strength	RANGE OF TESTS PERFORMED	
12 to 14 October 2010	DATE OF TEST	
See Sub-clause 4.6	TEST RESULT	




RONALD BORCHERT
Senior engineer
Berlin, 25 November 2010



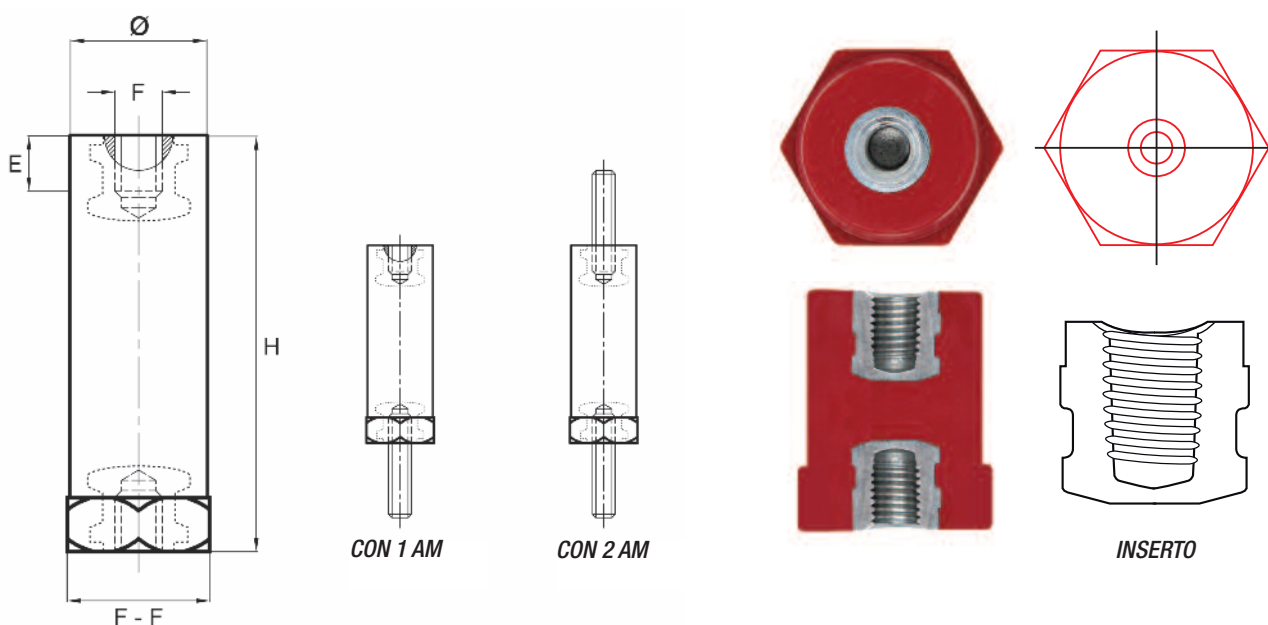
MICHAEL HEISE
Test engineer in charge



Independent test laboratory, accredited by Deutsche Akkreditierungsstelle Technik (DATech) e.V. in the fields of hv apparatus and switchgear, power cables and power cable accessories, hv apparatus and switchgear installation equipment and switching and control equipment
Institut „Profifield für elektrische Hochleistungstechnik“ GmbH (IPH Berlin) is a subsidiary of CESI SpA Milan


DAR
 Deutscher Akkreditierungsausschuss
 DAT - P - 019/92

COLONNINE DISTANZIATRICI SPACING STUD BOLTS



Colonnine distanziatrici tipo CO/P Ø 20 - CS/P Ø 30 - CT/P Ø 40 - CPE Ø 60

Prodotti tramite stampaggio a compressione e realizzati solo in massa poliestere rinforzata con fibra di vetro BMC RF 3/20 certificata UL e classificata HL2 secondo la EN45545-2.

Su richiesta possiamo fornire gli isolatori con:

- > Inserti femmina in **inox**
- > Inserti femmina in **pollici**
- > Uno o due attacchi maschio "AM" montati e bloccati

Spacing stud bolts type CO/P Ø 20 - CS/P Ø 30 - CT/P Ø 40 - CPE Ø 60

Manufactured by compression molding and made only in polyester material reinforced with fiberglass BMC RF 3/20 UL certified and classified HL2 according to EN45545-2.

On request we can supply the insulators with:

- > Female inserts made of **stainless steel**
- > Female inserts in **inches sizes**
- > One or two male connections type "AM" set and locked



I nostri prodotti sono certificati UL:
Our products are UL certified:
File Nr. E502533 - File Nr. E502534



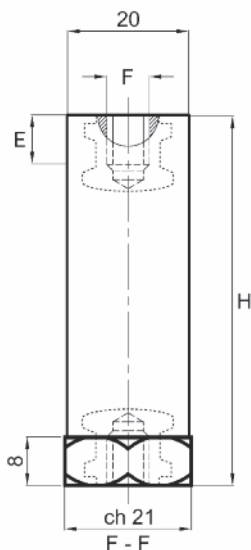
I nostri prodotti sono conformi alle seguenti direttive Europee:
Our products are in conformity with the European standards:
Direttiva Bassa Tensione (Low Voltage Directive) 2014/35/EU
Regolamento REACH (EC Regulation) Nr. 1907/2006
Direttiva RoHS (Council Directive) 2011/65/CE



100% prodotto Italiano
100% Italian product

COLONNINE DISTANZIATRICI SPACING STUD BOLTS

CO/P - Ø20



Articolo Item	F	E (mm)	Valore di serraggio Tightening torque	H (mm)	Tensione di esercizio Operating voltage	Conf. Pack.	Peso Weight (Kg)
CO/P 16	M 4	3	2 Nm	16	220 V	250	4,10
	M 5	3	6 Nm				
	M 6	3	8 Nm				
	M 8	4	10 Nm				
CO/P 20	M 4	5	2 Nm	20	400 V	200	4,20
	M 5	5	6 Nm				
	M 6	5	10 Nm				
	M 8	5	10 Nm				
CO/P 25	M 4	7	2 Nm	25	500 V	150	3,80
	M 5	6	6 Nm				
	M 6	7	10 Nm				
	M 8	6	14 Nm				
CO/P 30	M 4	8	2 Nm	30	600 V	140	4,20
	M 5	8	8 Nm				
	M 6	8	12 Nm				
	M 8	8	16 Nm				
CO/P 35	M 5	8	8 Nm	35	600 V	120	3,90
	M 6	8	12 Nm				
	M 8	8	16 Nm				
CO/P 40	M 5	7	8 Nm	40	600 V	110	3,90
	M 6	8	12 Nm				
	M 8	8	16 Nm				
CO/P 45	M 5	10	8 Nm	45	750 V	100	4,00
	M 6	10	12 Nm				
	M 8	10	16 Nm				
CO/P 50	M 5	8	8 Nm	50	750 V	80	3,40
	M 6	10	12 Nm				
	M 8	10	16 Nm				
CO/P 60	M 6	12	12 Nm	60	750 V	70	3,40
	M 8	10	16 Nm				

Articolo Item	Tensione di scarica superficiale C.A. A.C. surface flashover voltage (KV)	Tensione di scarica interna C.A. A.C. internal flashover voltage (KV)	Sollecitazione a trazione Tensile stress (DN)	Sollecitazione a flessione Cantilever stress (DN)	Sollecitazione a compressione Compressive stress (DN)	Sollecitazione a torsione Twisting stress (DN x mm)
CO/P 16	-	-	400	250	2.100	0,6 - 1,7
CO/P 20	-	-	400	250	2.100	0,6 - 1,7
CO/P 25	5	15	400	250	2.100	0,6 - 1,7
CO/P 30	5	15	400	200	2.100	1 - 2
CO/P 40	8	20	400	150	2.100	1 - 2
CO/P 50	10	25	400	100	2.100	1 - 2
CO/P 60	10	30	400	100	2.100	1 - 2

Temperatura di esercizio / Operating temperature: -40° C + 130° C

Carichi di rottura / Breaking charges: Tolleranza / Allowance ± 10%

Reazione al fuoco / Fire reaction: Class UL94-V0 and HL2 for requirements R7 and R22/23 of EN45545-2



I nostri prodotti sono certificati UL:
Our products are UL certified:
File Nr. E502533 - File Nr. E502534



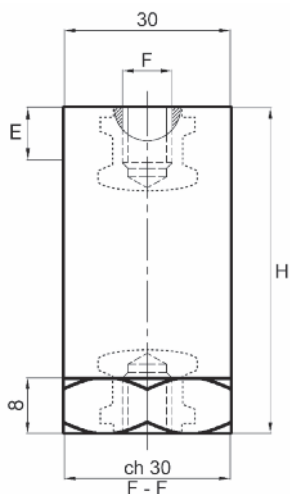
I nostri prodotti sono conformi alle seguenti direttive Europee:
Our products are in conformity with the European standards:
Direttiva Bassa Tensione (Low Voltage Directive) 2014/35/EU
Regolamento REACH (EC Regulation) Nr. 1907/2006
Direttiva RoHS (Council Directive) 2011/65/CE



100% prodotto Italiano
100% Italian product

COLONNINE DISTANZIATRICI SPACING STUD BOLTS

CS/P- Ø30



Articolo Item	F	E (mm)	Valore di serraggio Tightening torque	H (mm)	Tensione di esercizio Operating voltage	Conf. Pack.	Peso Weight (Kg)
CS/P 30	M 6	9	10 Nm	30	750 V	80	4,80
	M 8	8	22 Nm				
	M 10	7	24 Nm				
CS/P 35	M 6	10	10 Nm	35	1000 V	64	4,70
	M 8	9	22 Nm				
	M 10	9	24 Nm				
CS/P 40	M 6	12	10 Nm	40	1000 V	60	4,90
	M 8	12	22 Nm				
	M 10	13	24 Nm				
CS/P 45	M 6	12	10 Nm	45	1000 V	48	4,40
	M 8	12	22 Nm				
	M 10	13	24 Nm				
CS/P 50	M 6	12	10 Nm	50	1500 V	48	4,50
	M 8	13	22 Nm				
	M 10	13	24 Nm				
CS/P 55	M 6	12	10 Nm	55	1500 V	40	4,10
	M 8	12	22 Nm				
	M 10	13	24 Nm				
CS/P 60	M 6	13	10 Nm	60	1500 V	40	4,50
	M 8	16	22 Nm				
	M 10	17	24 Nm				
CS/P 65	M 6	13	10 Nm	65	1500 V	32	3,80
	M 8	17	22 Nm				
	M 10	13	24 Nm				
CS/P 70	M 6	13	10 Nm	70	1500 V	32	4,00
	M 8	16	22 Nm				
	M 10	17	24 Nm				

Articolo Item	Tensione di scarica superficiale C.A. A.C. surface flashover voltage (KV)	Tensione di scarica interna C.A. A.C. internal flashover voltage (KV)	Sollecitazione a trazione Tensile stress (DN)	Sollecitazione a flessione Cantilever stress (DN)	Sollecitazione a compressione Compressive stress (DN)	Sollecitazione a torsione Twisting stress (DN x mm)
CS/P 30	8	20	900	450	4.000	1,3 - 2,6
CS/P 40	8	25	900	300	4.000	1,3 - 2,6
CS/P 50	10	35	900	200	4.000	1,3 - 2,6
CS/P 60	15	35	900	150	4.000	1,3 - 2,6

Temperatura di esercizio / Operating temperature: -40° C + 130° C

Carichi di rottura / Breaking charges: Tolleranza / Allowance ± 10%

Reazione al fuoco / Fire reaction: Class UL94-V0 and HL2 for requirements R7 and R22/23 of EN45545-2



I nostri prodotti sono certificati UL:
Our products are UL certified:
File Nr. E502533 - File Nr. E502534



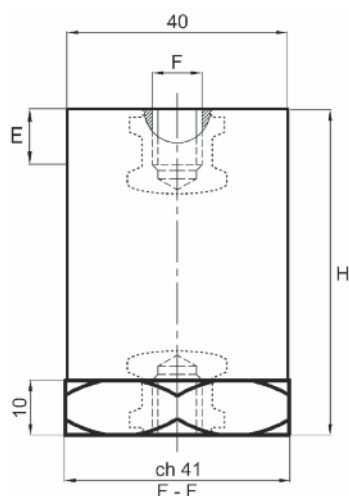
I nostri prodotti sono conformi alle seguenti direttive Europee:
Our products are in conformity with the European standards:
Direttiva Bassa Tensione (Low Voltage Directive) 2014/35/EU
Regolamento REACH (EC Regulation) Nr. 1907/2006
Direttiva RoHS (Council Directive) 2011/65/CE



100% prodotto Italiano
100% Italian product

COLONNINE DISTANZIATRICI SPACING STUD BOLTS

CT/P - Ø40



Articolo Item	F	E (mm)	Valore di serraggio Tightening torque	H (mm)	Tensione di esercizio Operating voltage	Conf. Pack.	Peso Weight (Kg)
CT/P 30	M 6	9	12 Nm	30	750 V	45	4,20
	M 8	9	22 Nm				
	M 10	8	24 Nm				
CT/P 35	M 8	10	22 Nm	35	750 V	36	4,10
	M 10	10	26 Nm				
CT/P 40	M 8	12	22 Nm	40	1000 V	27	3,30
	M 10	13	24 Nm				
	M 12	13	36 Nm				
CT/P 45	M 8	13	22 Nm	45	1000 V	27	3,60
	M 10	13	26 Nm				
CT/P 50	M 8	13	22 Nm	50	1500 V	27	3,80
	M 10	13	26 Nm				
	M 12	12	36 Nm				
CT/P 55	M 8	13	22 Nm	55	1500 V	18	2,90
	M 10	17	26 Nm				
CT/P 60	M 8	17	22 Nm	60	1500 V	18	3,10
	M 10	18	26 Nm				
	M 12	16	36 Nm				
CT/P 65	M 8	18	22 Nm	65	1500 V	18	3,50
	M 10	17	26 Nm				
CT/P 70	M 8	17	22 Nm	70	1500 V	18	3,50
	M 10	17	26 Nm				

Articolo Item	Tensione di scarica superficiale C.A. A.C. surface flashover voltage (KV)	Tensione di scarica interna C.A. A.C. internal flashover voltage (KV)	Sollecitazione a trazione Tensile stress (DN)	Sollecitazione a flessione Cantilever stress (DN)	Sollecitazione a compressione Compressive stress (DN)	Sollecitazione a torsione Twisting stress (DN x mm)
CT/P 30	8	20	1.000	750	8.000	3 - 6
CT/P 40	10	25	1.000	700	8.000	3 - 6
CT/P 50	10	35	1.000	500	8.000	3 - 6
CT/P 60	10	35	1.000	370	8.000	3 - 6

Temperatura di esercizio / Operating temperature: -40° C + 130° C

Carichi di rottura / Breaking charges: Tolleranza / Allowance ± 10%

Reazione al fuoco / Fire reaction: Class UL94-V0 and HL2 for requirements R7 and R22/23 of EN45545-2



I nostri prodotti sono certificati UL:
Our products are UL certified:
File Nr. E502533 - File Nr. E502534



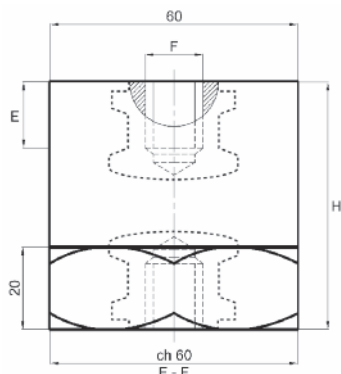
I nostri prodotti sono conformi alle seguenti direttive Europee:
Our products are in conformity with the European standards:
Direttiva Bassa Tensione (Low Voltage Directive) 2014/35/EU
Regolamento REACH (EC Regulation) Nr. 1907/2006
Direttiva RoHS (Council Directive) 2011/65/CE



100% prodotto Italiano
100% Italian product

COLONNINE DISTANZIATRICI SPACING STUD BOLTS

CPE - Ø60



Articolo Item	F	E (mm)	Valore di serraggio Tightening torque	H (mm)	Tensione di esercizio Operating voltage	Conf. Pack.	Peso Weight (Kg)
CPE 40	M 10	14	24 Nm	40	1500 V	12	2,90
	M 12	13	36 Nm				
	M 16	12	50 Nm				
CPE 60	M 10	16	24 Nm	60	3000 V	10	3,50
	M 12	17	36 Nm				
	M 16	22	50 Nm				
CPE 80	M 10	20	24 Nm	80	5000 V	8	3,70
	M 12	17	36 Nm				
	M 16	24	55 Nm				
CPE 100	M 10	20	24 Nm	100	8000 V	5	2,80
	M 12	20	40 Nm				
	M 16	24	55 Nm				



Articolo Item	Tensione di scarica superficiale C.A. A.C. surface flashover voltage (KV)	Tensione di scarica interna C.A. A.C. internal flashover voltage (KV)	Sollecitazione a trazione Tensile stress (DN)	Sollecitazione a flessione Cantilever stress (DN)	Sollecitazione a compressione Compressive stress (DN)	Sollecitazione a torsione Twisting stress (DN x mm)
CPE 40	10	25	1.100	700	10.000	6
CPE 60	20	50	1.500	600	10.000	8
CPE 80	25	50	2.300	900	12.000	10
CPE 100	30	50	3.000	1.500	15.000	15

Temperatura di esercizio / Operating temperature: **-40° C + 130° C**

Carichi di rottura / Breaking charges: **Tolleranza / Allowance ± 10%**

Reazione al fuoco / Fire reaction: **Class UL94-V0 and HL2 for requirements R7 and R22/23 of EN45545-2**



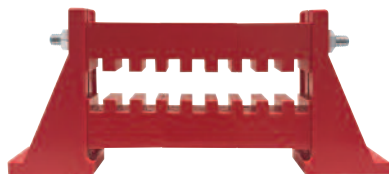
I nostri prodotti sono certificati UL:
Our products are UL certified:
File Nr. E502533 - File Nr. E502534



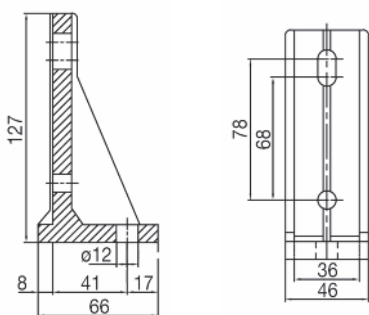
I nostri prodotti sono conformi alle seguenti direttive Europee:
Our products are in conformity with the European standards:
Direttiva Bassa Tensione (Low Voltage Directive) 2014/35/EU
Regolamento REACH (EC Regulation) Nr. 1907/2006
Direttiva RoHS (Council Directive) 2011/65/CE



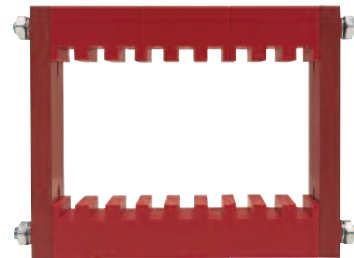
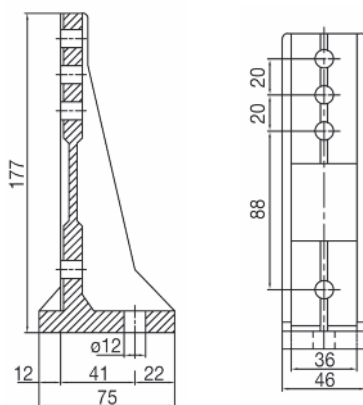
100% prodotto Italiano
100% Italian product



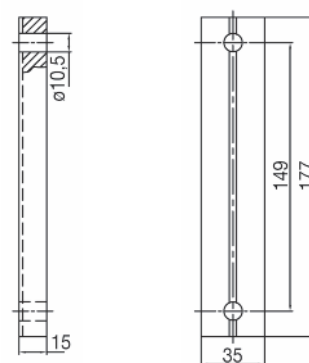
PSB/2
Spalla di sostegno *Lateral support*



PSB/1
Spalla di sostegno *Lateral support*



PSB/120
Spalla di sostegno *Lateral support*



Portasbarre verticale tipo PSB

Prodotti tramite stampaggio a compressione e in massa poliestere rinforzata con fibra di vetro BMC certificata UL e classificata HL2 secondo la EN 45545-2. Portasbarre verticale componibile adatto per sbarre da mm 40x6 min. a mm 120x10 max. Per realizzare un portasbarre occorrono: 2 Spalle, 2 tiranti di assemblaggio e un numero di blocchetti necessario per formare la composizione desiderata.

Busbar systems PSB

Manufactured by compression moulding and made only in polyester material reinforced with fiberglass BMC RF-3/20 UL certified and classified HL2 according to EN 45545-2. Assembleable vertical rodholders suitable for bars from min. mm 40x6 to max mm 120x10. To realise a busbar system are needed: 2 lateral supports, 2 assembly screws and a necessary number of blocks required to obtain the composition needed.

Spalla <i>Lateral Support</i>	Blocchetti <i>Blocks</i>	Sbarre <i>Rods</i>	Conf. <i>Pack.</i>
PSB/2	PSB 6	40 x 6	144
	PSB 8	40 x 8	
	PSB 10	40 x 10	
PSB/1	PSB 6	60 x 6	96
	PSB 8	60 x 8	
	PSB 10	60 x 10	
PSB/120	PSB 6	120 x 6	
	PSB 8	120 x 8	
	PSB 10	120 x 10	



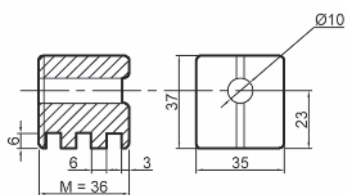
I nostri prodotti sono certificati UL:
Our products are UL certified:
File Nr. E502533 - File Nr. E502534



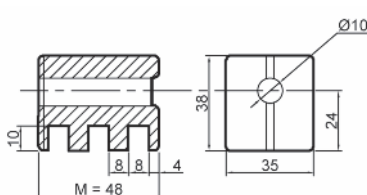
I nostri prodotti sono conformi alle seguenti direttive Europee:
Our products are in conformity with the European standards:
Direttiva Bassa Tensione (Low Voltage Directive) 2014/35/EU
Regolamento REACH (EC Regulation) Nr. 1907/2006
Direttiva RoHS (Council Directive) 2011/65/CE



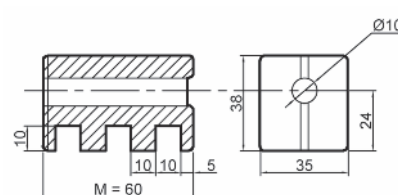
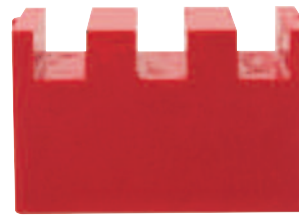
100% prodotto Italiano
100% Italian product



PSB/6
Blocchetto sbarre 6 mm
Block for rods thickness 6 mm

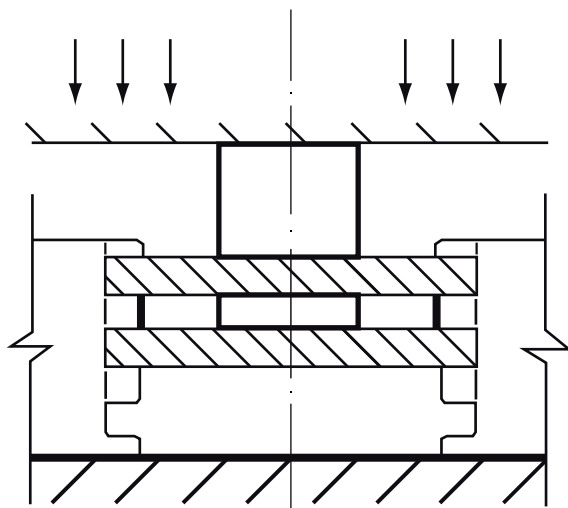


PSB/8
Blocchetto sbarre 8 mm
Block for rods thickness 8 mm



PSB/10
Blocchetto sbarre 10 mm
Block for rods thickness 10 mm

Flessione del dente con inizio rottura
Elastic deflection of the tooth with beginning of rupture



Articolo Article	Flessione Cantilever (Kg)
PSB/6	950
PSB/8	1130
PSB/10	1375

Temperatura di esercizio / *Operating temperature*: -40° C + 130° C

Carichi di rottura / *Breaking charges*: Tolleranza / *Allowance* ± 10%

Reazione al fuoco / *Fire reaction*: Class UL94-V0 and HL2 for requirements R7 and R22/23 of EN45545-2



I nostri prodotti sono certificati UL:
Our products are UL certified:
File Nr. E502533 - File Nr. E502534



I nostri prodotti sono conformi alle seguenti direttive Europee:
Our products are in conformity with the European standards:
Direttiva Bassa Tensione (Low Voltage Directive) 2014/35/EU
Regolamento REACH (EC Regulation) Nr. 1907/2006
Direttiva RoHS (Council Directive) 2011/65/CE



100% prodotto Italiano
100% Italian product

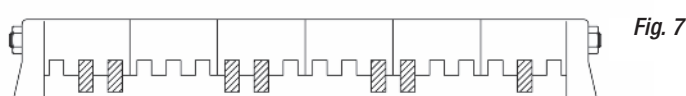
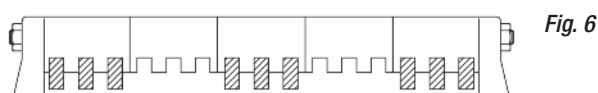
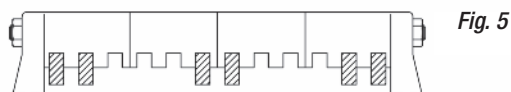
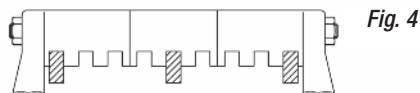
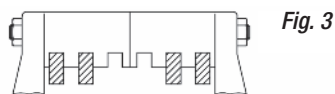
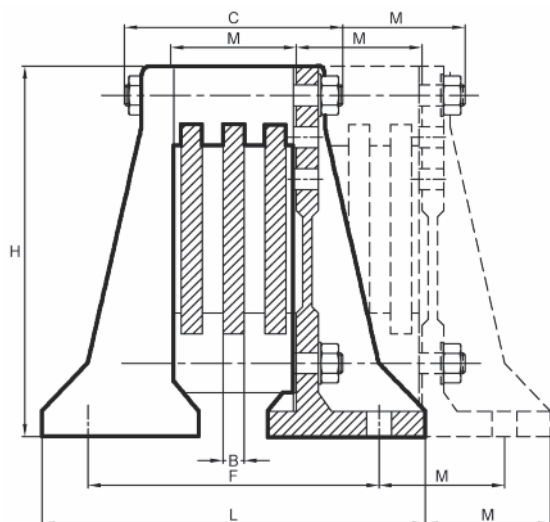


Fig. 1
Esempio di portasbarre unipolare realizzato con 3 spalle in parallelo

Fig. 3, Fig. 4, Fig. 5, Fig. 6

Rappresentano possibili realizzazioni

H
Con spalla di sostegno PSB/2=127 mm, PSB/1=177 mm

M
Con blocchetto PSB/6=36 mm, PSB/8=48mm, PSB/10=60mm

Fig. 1
Example of unipolar busbar system made with 3 parallel rods

Fig. 3, Fig. 4, Fig. 5, Fig. 6

They show some possible realizations

H
With lateral support PSB/2=127 mm, PSB/1=177 mm

M
With block PSB/6=36 mm, PSB/8=48mm, PSB/10=60mm

LEGENDA LEGEND

A Numeri blocchetti
Number of the blocks

B Spessore barra
Number of the blocks

C Lunghezza tiranti
Length of the bolts

B Ingombro esterno
Exterior encumbrance

F Interasse fori
Distance between centers of the holes

H Altezza
Height

M Modulo
Module

PSB/1

Fig.	A	B	C	L	F	H	M
1	1	6	70	162	118	177	36
	1	8	90	174	130	177	48
	1	10	100	186	142	177	60
3	2	6	110	198	154	177	36
	2	8	140	222	178	177	48
	2	10	160	246	202	177	60
4	3	6	150	234	190	177	36
	3	8	194	270	226	177	48
	3	10	230	306	262	177	60
5	4	6	194	270	226	177	36
	4	8	242	318	274	177	48
	4	10	290	366	322	177	60
6	5	6	230	306	262	177	36
	5	8	290	366	322	177	48
	5	10	350	426	382	177	60
7	6	6	270	342	298	177	36
	6	8	338	414	370	177	48
	6	10	410	486	442	177	60

PSB/2

Fig.	A	B	C	L	F	H	M
1	1	6	70	152	118	127	36
	1	8	90	164	130	127	48
	1	10	100	176	142	127	60
3	2	6	110	188	154	127	36
	2	8	140	212	178	127	48
	2	10	160	236	202	127	60
4	3	6	150	224	190	127	36
	3	8	194	260	226	127	48
	3	10	230	296	262	127	60
5	4	6	194	260	226	127	36
	4	8	242	308	274	127	48
	4	10	290	356	322	127	60
6	5	6	230	296	262	127	36
	5	8	290	356	322	127	48
	5	10	350	416	382	127	60
7	6	6	270	332	298	127	36
	6	8	338	404	370	127	48
	6	10	410	476	442	127	60

TEST PER RESISTENZA AL CORTOCIRCUITO EN 61439-2

SHORT-CIRCUITING RESISTANCE EN 61439-2



Independent, accredited testing station · Member laboratory of STL and LOVAG

TEST REPORT

NO. 1469.2111429.0957

MBS AG
Eisbachstraße 51
74429 Sulzbach-Laufen
GERMANY

CLIENT

MBS AG

MANUFACTURER

Busbar systems for low-voltage switchgear and controlgear assemblies with vertical busbar supports of the type PSB, L & Z

TEST OBJECT

PSB/1, PSB/2, PSB/10, PSB/120, spacer PSB, busbar support L 100, Z 185-2

TYPE

90175, 90176, 90177, 90180, 2.8246, 90391, 90385

SERIAL NO.

Rated operational voltage	U_n	400 V	RATED CHARACTERISTICS GIVEN BY THE CLIENT
Rated insulation voltage	U_i	1000 V	
Rated peak withstand current	I_{pk}	up to 264 kA	
Rated short-time withstand current	I_{sw}	up to 120 kA, 1s	
Rated frequency	f	50 Hz	

IEC 61439-2: 2011-08, EN 61439-2: 2012-06

NORMATIVE DOCUMENT

Verification of short-circuit withstand strength

RANGE OF TESTS PERFORMED

16 and 17 August 2012

DATE OF TEST

See Sub-clause 4.6

TEST RESULT

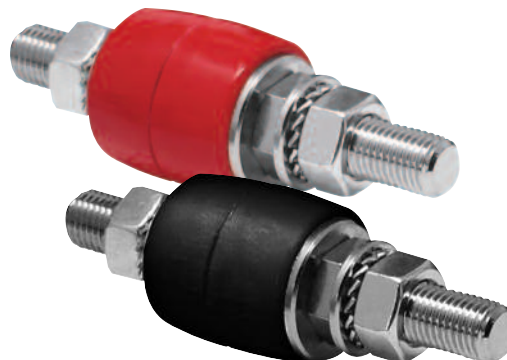
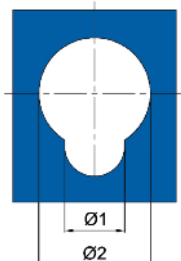
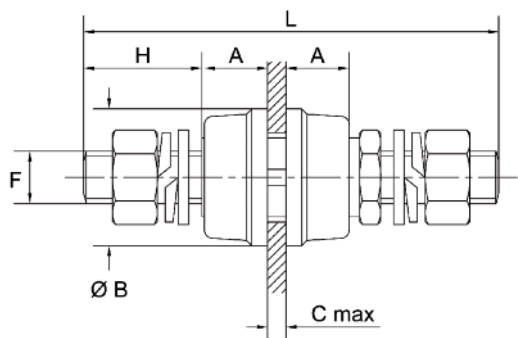
RONALD BORCHERT
Senior engineer
Berlin, 07 December 2012

MICHAEL HEISE
Test engineer in charge



Independent test laboratory accredited by the German Accreditation Body DAKKS, Deutsche Akkreditierungsstelle GmbH in the fields of high-voltage switchgear and their components, cables and conductors as well as industrial low-voltage apparatus.
IPH Institut „Profeld für elektrische Hochleistungstechnik“ GmbH (IPH Berlin) is a subsidiary of CESI SpA, Milan.





Isolatori passanti

I nostri isolatori PI/P sono costituiti da due parti isolanti in massa poliestere rinforzata con fibra di vetro BMC RF 3/20 prodotte in modo che si inseriscano l'una nell'altra, dadi e rondelle in ottone nichelato e acciaio zincato, tirante centrale in ottone. Quest'ultima componente è di fondamentale importanza in quanto il perno centrale viene tornito da esagono in ottone, in questo modo dado e tirante sono un pezzo unico. Questa costosa soluzione garantisce le corrette prestazioni elettriche che questo isolatore richiede.

Passing insulators PI/P

The passing insulators PI/P are composed of two insulating parts made of polyester material reinforced with fiberglass BMC RF 3/20 manufactured in order to fit one into the other, nickel-plated brass and galvanized steel nuts and washers, nickel-plated brass bolt. This last component is of essential importance since the central bolt is turned by brass hexagon, in this way nut and bolt are one single piece. This expensive solution guarantees the correct electrical characteristics that this insulator requires.

Articolo Item	F	Valore di serraggio Tightening torque	L (mm)	A (mm)	Ø B (mm)	C max (mm)	H (mm)	Ø 1 (mm)	Ø 2 (mm)	Portata nominale In rated range	Tensione di esercizio Operating voltage	Tensione prova Test voltage (KV)	Conf. Pack.	Peso Weight (Kg)
PI/P M 4	M 4	3 Nm	50	10	15	3	12,5	2,5	8,5	25 A	600 V	4	60	1,00
PI/P M 6	M 6	5 Nm	65	12	22	5	17	3,5	12,5	50 A	1.000 V	6	40	1,60
PI/P M 8	M 8	10 Nm	80	13,5	25	5	21	3,5	15,5	80 A	1.000 V	6	30	2,30
PI/P M 10	M 10	16 Nm	95	15	30	5	28	4,5	17,5	120 A	1.000 V	6	20	2,80
PI/P M 12	M 12	18 Nm	105	17	35	5	29	5	20,5	200 A	1.000 V	6	15	3,10
PI/P M 16	M 16	22 Nm	135	22	43	7	38	5,5	25,5	300 A	2.000 V	8	10	4,40
PI/P M 20	M 20	26 Nm	155	25	54	8	44	6	30,5	450 A	2.000 V	8	5	3,80

Temperatura di esercizio / Operating temperature: **-40° C + 130° C**

Carichi di rottura / Breaking charges: **Tolleranza / Allowance ± 10%**

Reazione al fuoco / Fire reaction: **Class UL94-V0 and HL2 for requirements R7 and R22/23 of EN45545-2**



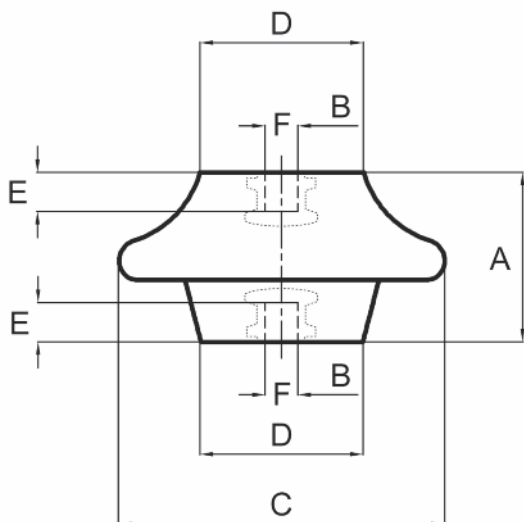
I nostri prodotti sono certificati UL:
Our products are UL certified:
File Nr. E502533 - File Nr. E502534



I nostri prodotti sono conformi alle seguenti direttive Europee:
Our products are in conformity with the European standards:
Direttiva Bassa Tensione (Low Voltage Directive) 2014/35/EU
Regolamento REACH (EC Regulation) Nr. 1907/2006
Direttiva RoHS (Council Directive) 2011/65/CE



100% prodotto Italiano
100% Italian product



Isolatori a campana

Prodotti tramite stampaggio a compressione e realizzati solo in massa poliestere rinforzata con fibra di vetro BMC RF 3/20 certificata UL e classificata HL2 secondo la EN 45545-2.

Su richiesta possiamo fornire gli isolatori con:

- > Uno o due attacchi maschio "AM" montati e bloccati

Petticoat insulators

Manufactured by compression moulding and made only in polyester material reinforced with fiberglass BMC RF 3/20 certified UL and classified HL2 according to EN 45545-2.

On request we can supply the spacing insulators with:

- > One or two male connections type "AM" set and locked

Articolo Item	F	E (mm)	Valore di serraggio Tightening torque	A (mm)	B (mm)	C (mm)	D (mm)	Tensione di esercizio Operating voltage	Conf. Pack.	Peso Weight (Kg)
I2IC100010	M 10	13	24 Nm	52	10	100	50	5000 V	80	29,10
I2IC100012	M 12	13	36 Nm	52	12	100	50	5000 V	80	28,70
I2IC100016	M 16	17	50 Nm	52	16	100	50	5000 V	80	30,30

Articolo Item	Tensione di scarica superficiale C.A. A.C. surface flashover voltage (KV)	Tensione di scarica interna C.A. A.C. internal flashover voltage (KV)	Sollecitazione a trazione Tensile stress (DN)	Sollecitazione a flessione Cantilever stress (DN)	Sollecitazione a compressione Compressive stress (DN)	Sollecitazione a torsione Twisting stress (DN x mm)
I2IC1000	50	40	1.950	980	14.700	10

Temperatura di esercizio / Operating temperature: -40° C + 130° C

Carichi di rottura / Breaking charges: Tolleranza / Allowance ± 10%

Reazione al fuoco / Fire reaction: Class UL94-V0 and HL2 for requirements R7 and R22/23 of EN45545-2



I nostri prodotti sono certificati UL:
Our products are UL certified:
File Nr. E502533 - File Nr. E502534



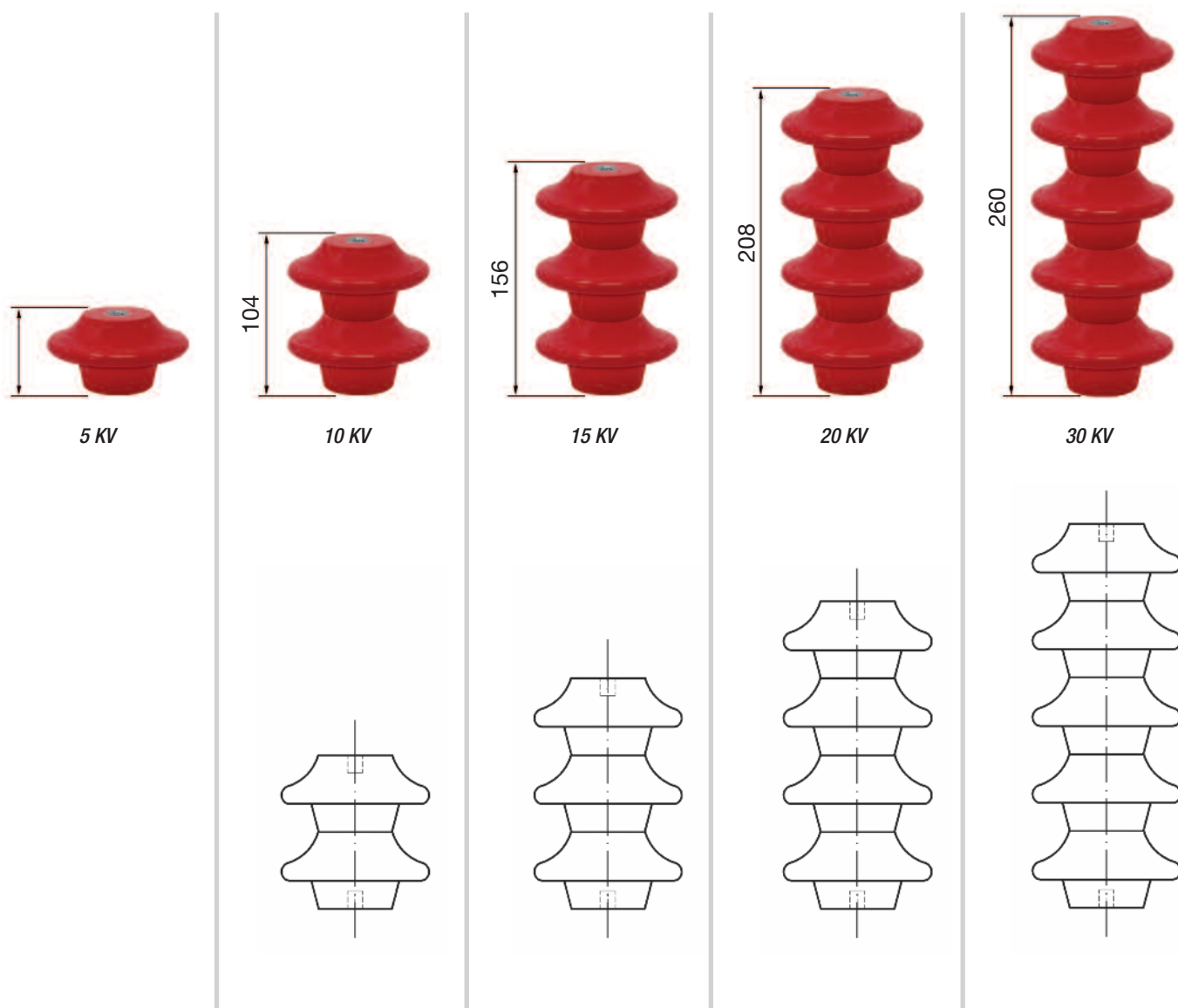
I nostri prodotti sono conformi alle seguenti direttive Europee:
Our products are in conformity with the European standards:
Direttiva Bassa Tensione (Low Voltage Directive) 2014/35/EU
Regolamento REACH (EC Regulation) Nr. 1907/2006
Direttiva RoHS (Council Directive) 2011/65/CE



100% prodotto Italiano
100% Italian product

ISOLATORI A CAMPANA PER MEDIA TENSIONE

PETTICOAT INSULATORS FOR MEDIUM VOLTAGE



Articolo Item	Altezza Height (mm)	Tensione nominale Voltage range (KV)	Tensione max di esercizio Max operating voltage (KV)	Tenuta a frequenza industriale Withstand voltages industrial frequency (KV)	Tenuta ad impulsi Withstand voltage impulses (KV)
I2IC1000	52	5	7,2	28	60
I2IC2000	104	10	12	38	75
I2IC3000	156	15	17,5	45	95
I2IC4000	208	20	24	55	125
I2IC5000	260	30	36	75	170





ERIM S.R.L.

Via Bovisasca, 24/26 - 20026 Novate Milanese (MI) - Italy

Tel. + 39 02 39100533 - Fax +39 02 49698772

www.irim.it info@irim.it