

Ahto Navy Application

Ceiling Lights and modification Kit with LED Technology



Ahto LED 131 KBL

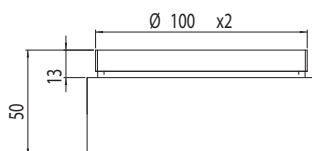
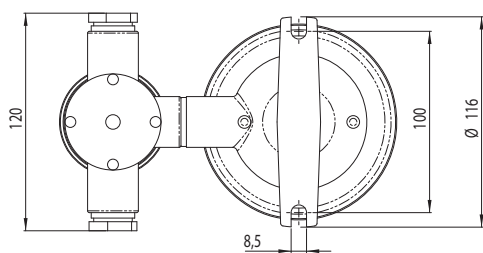
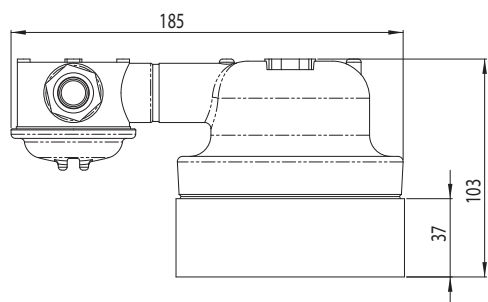


polished version



Ahto LED Kit

Subject to change without prior notice.



Technical Data

Name & No.	Diagram	Wattage	kg	Description
Ahto LED 131 KBL	O-	8W	1,10	<ul style="list-style-type: none"> IP 56 ceiling light with one integrated High Voltage/Mid Power LED module
Ahto LED 131-2 KBL	O=		1,20	<ul style="list-style-type: none"> brass casing, clear plastic pane cable gland: M24 x 1.5 with conical screen
Ahto LED 131-D KBL	-O-		1,20	<ul style="list-style-type: none"> with branching box voltage: 230V, 115V or 24V DC high colour rendering index of 85 CRI also available as a change kit for backfitting the existing lamps without demounting
Ahto LED Kit		8W	0,30	<ul style="list-style-type: none"> change kit from Ahto 131 to Ahto LED 131: exchange in used lights without changing possible voltage: 230V, 115V or 24V DC consisting of: one High Voltage/Mid Power LED module, conical screen with plastic pane and mounting material
Your Advantages:				
<ul style="list-style-type: none"> no power supply necessary low heat development better optical light output ratio against lights with 60W bulbs exchange with existing lamps without changes: same mounting points and measurements with conventionally Ahto 131 KBL long durability of LED space-saving vibration proof EMC tested 				

Spare Parts

No.	kg	Description
1200412	0,11	clear plastic pane
9201781		LED module 230V
9201886		LED module 115V
1200412	0,30	Ahto LED change kit LED 115V
8113116	0,30	Ahto LED change kit LED 230V

Polished products available for an extra charge.

Alterations and technical developments reserved.