

1000 V3

Auriga

Stainless Steel Floodlight

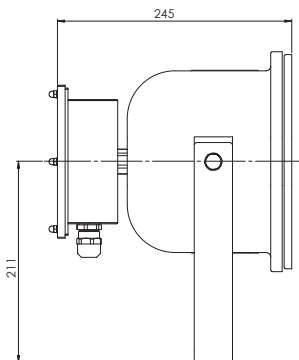
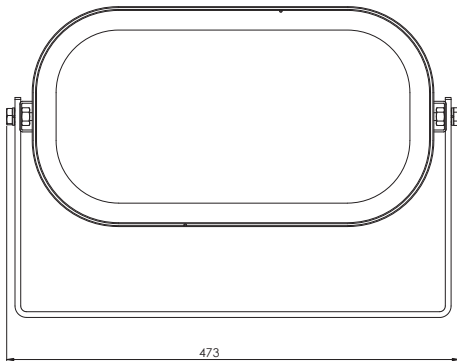
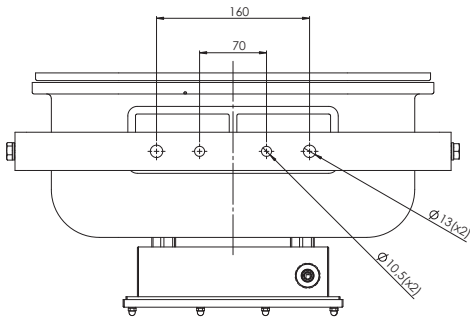
karl-dose.com/Auriga



NEW
Latest design



Auriga 1000



Technical Data

Name & No.	Wattage	kg	Description
Auriga 1000 V3	65W	11,6	<ul style="list-style-type: none"> • IP 67 • casing and bracket made of stainless steel, clear hard glass pane, resistant against temperature changes • casing powdercoated RAL 9016 • cable gland: M18 x 1.5 (IP 68) • input voltage: 85-264V AC, 12-375V DC, 24V DC • 28 x High Power LED modules • output: approx. 280 lm / LED • luminous colour: 6300K • ambient temperature: -40°C up to +40°C • light intensity in 10m: approx. 333 lx / 10m • light intensity in 100m: approx. 21 lx • illuminated area in 10m: approx. ø 5 m • illuminated area in 100m: approx. ø 49,9 m • luminous flux: approx. 6.500 lm • optical light output ratio: 100 lumen / watt • beam angle: 28° (also available with 10° or 62°)

Spare Parts on request

