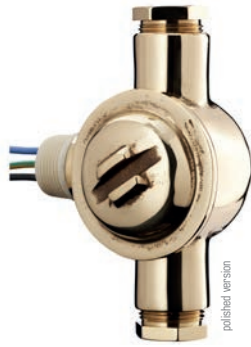




Gadeiros LED 131

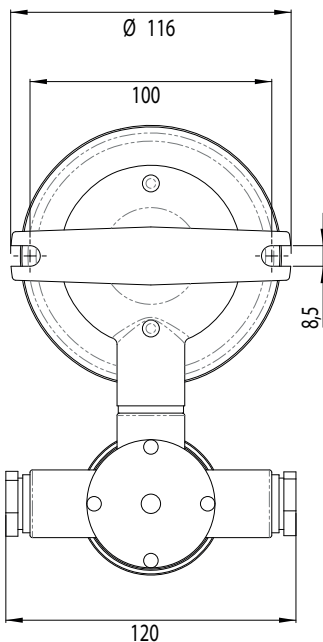
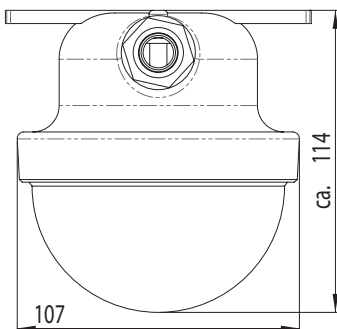


Taurus 232/D



Gadeiros LED Kit

Subject to change without prior notice.



### Technical Data

Name & No.	Diagram	Wattage	kg	Description
Gadeiros LED 131	O-	8W	0,70	<ul style="list-style-type: none"> <li>• IP 56</li> <li>• standard light with one integrated High Voltage/Mid Power LED module and specially developed globe of polycarbonate</li> <li>• brass casing, clear polycarbonate structured globe</li> <li>• cable gland: M24 x 1.5</li> <li>• voltage: 230V, 115V or 24V DC</li> <li>• with branching box</li> <li>• luminous flux: approx. 800 lm</li> <li>• beam angle: 120°</li> <li>• high colour rendering index of 85 CRI</li> <li>• also available as a change kit for backfitting the existing lamps without demounting</li> </ul>
Gadeiros LED 131/2	O=		0,80	
Gadeiros LED 131/D	-O-		0,80	
Gadeiros LED Kit		8W	0,22	<ul style="list-style-type: none"> <li>• change kit from Gadeiros 131 to Gadeiros LED 131: exchange in used lights without changing possible</li> <li>• voltage: 230V, 115V or 24V DC</li> <li>• consisting of: one High Voltage/Mid Power LED module, structured globe and mounting material</li> </ul>
				Your Advantages:
				<ul style="list-style-type: none"> <li>• no power supply necessary</li> <li>• low heat development</li> <li>• better optical light output ratio against lights with 60W bulbs</li> <li>• exchange with existing lamps without changes: same mounting points and measurements with conventionally Gadeiros 131</li> <li>• long durability of LED</li> <li>• space-saving</li> <li>• vibration proof</li> <li>• EMC tested</li> </ul>

### Spare Parts

No.	Description
1200434	LED application 115V
1200415	LED application 230V
1200734	clear structured globe
8213101	Gadeiros LED change kit LED 115V
8213102	Gadeiros LED change kit LED 230V

Polished products available for an extra charge.