



Minor
LED Kit 569



Minor
LED Kit 568



Minor
LED 568

polished version



Minor
LED 569

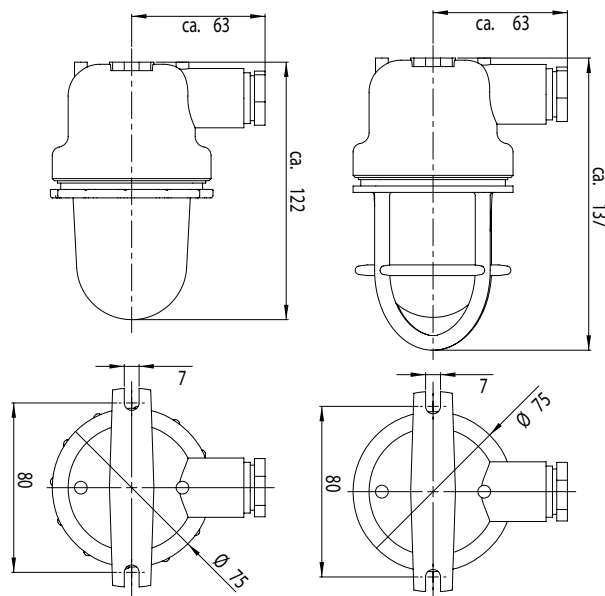
polished version

Technical Data

Name & No.	Diagram	Wattage	kg	Description
Minor LED 568	O-	4,4W	0,63	<ul style="list-style-type: none"> • IP 56 • brass casing, cylindrical glass matt, sandblasted inside • cable gland: M24 x 1.5 • 1 High Voltage/Mid Power LED module • light colour: 5.600K (cool white) • beam angle: approx. 120° • ambient temperature: -40°C to max. +45°C • voltage: 230V, 115V or 24V DC • luminous flux: approx. 400 lm (comparison: bulb 25W approx. 220 lm) • light intensity: approx. 60 lx (comparison: bulb 25W approx. 18 lx) • no power supply necessary, optimized thermal management • durability up to 50.000 hours (manufacturer's data) depends on operating temperature
Minor LED 568/2	O=		0,70	
Minor LED 568/D	-O-		0,70	
Minor LED 569	O-	4,4W	0,77	<ul style="list-style-type: none"> • as above • with brass guard
Minor LED 569/2	O=		0,84	
Minor LED 569/D	-O-		0,84	
Minor LED Kit		4,4W	0,22	<ul style="list-style-type: none"> • change kit from Minor 568 / 569 to Minor LED 568 / 569: exchange in used lights without changing possible • consisting of: 1 High Voltage/Mid Power LED-Modul, structured globe and mounting material • voltage: 230V, 115V or 24V DC

Minor
LED 568

Minor
LED 569



Spare Parts

No.	kg	Description
398 matt	0,11	cylindrical glass matt, sandblasted inside 64 x 73 mm
435	0,20	brass guard M70 x 2 mm

Polished products available for an extra charge.

Also available in red, blue, green and yellow, supplement charge.