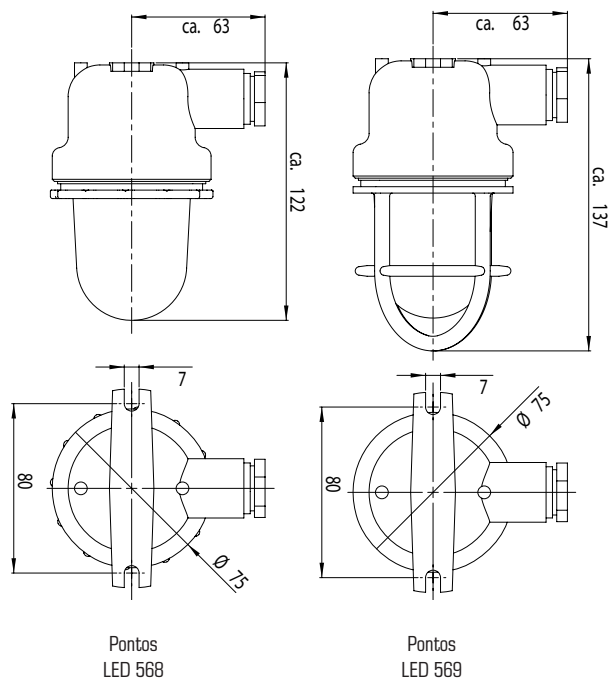




Technical Data

Name & No.	Diagram	Wattage	kg	Description
Pontos LED 568/VG	O-	4,4W	0,63	<ul style="list-style-type: none"> • IP 56 • small standard light acc. to VG 88810 • brass casing, matt cylindrical glass • cable gland: M24x1.5 acc. to VG 88812 • 1 High Voltage/Mid Power LED module • light colour: 5.600K (cool white) • beam angle: approx. 120° • ambient temperature: -40°C to max. +45°C • voltage: 230V, 115V oder 24V DC • luminous flux: approx. 400 lm (comparison: bulb 25W approx. 220 lm) • light intensity: approx. 60 lx (comparison: bulb 25W approx. 18 lx) • no power supply necessary, optimized thermal management • durability up to 50.000 hours (manufacturer's data)
Pontos LED 568/2/VG	O=		0,70	
Pontos LED 568/D/VG	-O-		0,70	
Pontos LED 569/VG	O-	4,4W	0,77	<ul style="list-style-type: none"> • as above • with brass guard
Pontos LED 569/2/VG	O=		0,84	
Pontos LED 569/D/VG	-O-		0,84	
Pontos LED Kit		4,4W	0,22	<ul style="list-style-type: none"> • change kit from Pontos 568 / 569 to Pontos LED 568 / 569; exchange in used lights without changing possible • consisting of: 1 High Voltage/Mid Power LED-Modul, structured globe and mounting material • voltage: 230V, 115V oder 24V DC



Spare Parts

No.	kg	Description
398 matt	0,11	cylindrical glass matt 64x73mm
435	0,20	brass guard M70
1256810	0,22	Pontos LED change kit 230V
8256911	0,22	Pontos LED change kit 115V

Polished products available for an extra charge.

Alterations and technical developments reserved.