



EDITION 1.5
DOSE PRODUCT NEWS

International Agencies



HEAD OFFICE HAMBURG
KARL DOSE GMBH
Försterweg 73-77
22525 Hamburg
Germany

P +49-40-547322-0
F +49-40-547322-99

sales@karl-dose.de
www.karl-dose.com

AUSTRALIA
VERSALUX PTY. LTD.
28 Edgerton Road,
Mitcham, Victoria
P 0061-75502-9065
F 0061-75502-9107
rgibson@versalux.com.au

BRAZIL
MINURA ESTABLISHMENT LTD.
Rua Cupertino Durao, 25#201
Rio de Janeiro - RJ
CEP: 22.441-030, Brazil
P 0055-212 239 187 9
F 0055-212 239 187 9
cferreira@alternex.com.br

CANADA
JASTRAM TECHNOLOGIES LTD.
188 Bunting Rd., Unit #10
L2M 3Y1 St.Catharines, Ontario
P 001-905-641-2587
F 001-905-6415267
DColeman@jastram.com

CHILE
**VALDEMAR IMPORTACIONES,
INGENIERIA Y VENTAS**
Basilio Urrutia 4985,
Talcahuano
P 0056-9-9920-8848
www.valdemar.cl
info@valdemar.cl

CHINA
DAN MARINE (FAR EAST) LTD.
13 Floor, Qianjiang Mansion
971 Dongfang Road, Pudong
200122 Shanghai
P 0086-21-5118-8788
F 0086-21-5118-8700
jeffrey@dan-marine.com

CROATIA
A.B. MARINE D.O.O.
Set XIII div. 121, 51000 Rijeka
P 00385-51-436413
F 00385-51-436500
a.b.marine@ri.t-com.hr

DANMARK
SOLAR OFFSHORE/MARINE
Industrivej Vest 39,
6600 Vejen
P 0045-76 52 70 30
offshore@solar.dk

EGYPT
COMMERCE OY
El Golf Area,
61 El Thawra Str.
Heliopolis, Cairo
P 0020-2-24170022 |
F 0020-2-24173350
commerce@commerceco.net

FINLAND
EPOMARE OY
Perämiehenkatu 11,
20810 Turku
P 00358-2-2749640
F 00358-2-2351499
martti.sundqvist@epomare.fi

FRANCE
SEIMI EQUIPEMENTS MARINE
75 Rue Amiral Troude,
29218 Brest Cedex 2
P 0033-02-98461102
F 0033-02-98433749
log@seimi.com

GREAT BRITAIN
MACLEAN ELECTRICAL
Peterseat Park, Peterseat Drive
Altens
AB123HT Aberdeen
P 0044-1224-894212
F 0044-1224-894212
walterhunter@maclean.co.uk

GREECE
DAN MARINE EUROPE
Kekropos 14
19400 Koropi - Ag. Marina
P 0030 2291026118
anders@dan-marine.com

INDIA
**MARINE ELECTRONICS AND NAVIGATION
SYSTEMS PVT. LTD.**
D-205, 2nd Floor, Belapur Railway Station
Complex, CBD Belapur,
400 614 Navi Mumbai
P 0091 22 4356 1000
F 0091 22 2757 8484
sales@means.co.in

ITALY
ACERBI 1906 SRL
Via Frova 34, 20092 Cinisello Balsamo (Mi)
P 0039-10-2541780
F 0039-10-248441
info@acerbigenova.it

KOREA
STEIN SOHN KOREA CO., LTD
#719 Byucksan Digital Valley
303 Daedong-Ro, Sasang-Ku
Busan 46981
P 0082-51-329-7979
F 0082-51-329-7080



DHSONG@STEINSOHN.CO.
KRMEXICO
**INTEGRACIÓN APLICADA EN
EQUIPOS DE SEGURIDAD Y
EXPLOSIÓN S.A. DE C.V.**
Col.Valle de Anahuac
N.L. CP.66450 San Nicolas de los Garza
T 0052-81-89012331
info@iaesyesa.com

**NETHERLANDS
SOLAR NEDERLAND B.V.**
Effect 5, 6921 RG Duiven
P 0031-72 519 27 33
F 0031-72 519 27 90
g.mateman@solarnederland.nl

ELFA ELEMENTENFABRIEK B.V.
Madridstraat 5-7,
1175 RK Amsterdam
P 0031-20-6436972
info@elfa.nl | www.elfa.nl

**NEW ZEALAND
ELECTROPAR LTD.**
P.O. Box 58623 Botany, Manukau 2163
35, Lady Ruby Drive,
East Tamaki, Manukau 2013
P 0064-9-274-2000
F 0064-9-274-2001
purchase@electropar.co.nz

**NIGERIA
NICOM MARINE**
203 Ikorodu Road, Obanikoro, Lagos
P +234 (0) 704 477 8926
sales1@nicommarine.com
www.nicommarine.com

**NORWAY
NORTECO A/S**
PO Box 116 Manglerud, 0612 Oslo
P 0047-22-576100 | F 0047-22-576130
purchase@nortelco.no

**POLAND
ELECOM SP. Z.O.O.**
Ul Inżynierska 41, 81-512 Gdynia
P 0048-58-6699-244 | F 0048-58-6696088
k.gorska@elecom.com.pl

**PORTUGAL
LENAVE LDA.**
Rua de S. Paulo, 228-230, 1200-430 Lisboa
P 0035121-3223190 | F 00351-21-3420968
pedro.pedro@lenave.pt

**ROMANIA
ALEWIJNSE MARINE GALATI S.A.**
402 Building, 1st floor
132 Alexandru Moruzi Str., 800232 Galati
P 0040-236-448022
F 0040-236-449146
purchasing@alewijns.ro

**RUSSIA
JUSTUXIA OY**
4-6, 17th line V.O., 199034 St. Petersburg
P 007-812-9379450 | F 007-812-3260966
sergei.ponomarev@justuxia.fi

**SINGAPORE / MALAYSIA
SPRINGER EMS PTE. LTD.**
66, Tannery Lane, 06-05 Sindo Building,
Singapore 347805
P 0065-67453300 | F 0065-67466374
mike@springer-ems.com

**SOUTH AFRICA
J. FRITZSCHE & COMPANY LTD**
Camps Bay, 29,
Hely Hutchinson Avenue,
8001 Cape Town
P 0027-214382910
sunshine@mweb.co.za

**SPAIN
UNILUX GEOMAR S.A.**
Poligono Industrial Valmor
C/Diamante, Nave 55
28340 Valdemoro-Madrid
P 0034-91-8752290
F 0034-91-8752291
alvaro@uniluxgeomar.com

**TURKEY
NEMOMARIN TIC.
MÜH. DENİZCILİK A.S.**
Aydintepe Mah. Sahilyolu Bulvarı,
Alize Is Merkezi No. 191/56,
34944 Tuzla, Istanbul
P 0090-216-3929202
F 0090-216-3929205
mete.tarihmen@nemomarin.com

**USA
TECHNICO MARINE CORPORATION**
141 Beard Street Bldg. 15
11231 Brooklyn, New York
P 001-718-855-3700 | F 001-718-855-3754
TMCNY@aol.com

**U . A . E .
PROFEN GENERAL TRADING LLC**
PO Box 181926, Dubai
P 00971-4-2289927 | F 00971-4-2289947
director@profenis.com



Scorpius SS 350 LED | 7



Virgo SS 188 | 8



Virgo SS 190 | 9



Virgo SS 192 | 10



Virgo SS 250 | 11



Virgo SS 350 | 12



Virgo SS 350 Cam | 13



Virgo SS 450 | 14



Musca SSV 5/7 | 15



Chamaeleon | 16



Kondo | 17



Auriga 200 V3 | 19



Auriga 1000 V3 | 20



Auriga 2000 V3 | 21



Tucana | 22



Tucana Argus | 24



Dorado | 25



Tarandus | 26



Hercules | 27



Cygnus | 28



Naos Naos LED | 29



Hydra | 32



Heka LED | 34



Heka LED Kit | 34



Minor LED | 25



Acapulco LED | 36



Pegasus LED | 37



Gaderios LED | 38



Gaderios LED Kit | 38



Pontos LED | 39



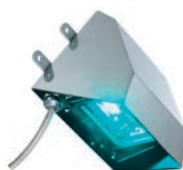
Ahto LED | 40



Ahto LED Kit | 40



Poseidon LED | 41



Lupus LED | 42



Twinny | 43



Snappy Speed+ | 44

ENERGY management

In times of increasing price pressure, falling freight rates and rising environmental requirements, **energy management in the maritime sector** is becoming increasingly important, especially for shipping companies and shipyards.

As a leading innovations company, Dose is therefore not only expanding its portfolio with new lighting products in energy-saving LED technology, but also presenting its latest generation of container power sockets through the new “Snappy Speed+”. These new and innovative products in particular are characterised by their high levels of operating efficiency, flexible handling and enormous durability, thus helping to save time and money.

Furthermore, with its almost 100 years of maritime experience, DOSE is now also covering an increasing broad range of digital services by providing corresponding services on location.

We thus support our customers, for example, with services ranging from the definition of appropriate bus interfaces, via proper implementation of the same up to professional on-board maintenance. In this way, DOSE ensures professional implementation of the interfaces and supports its customers through the consistent process of transformation into a cost-efficient, resource-saving and environmentally friendly energy management system.





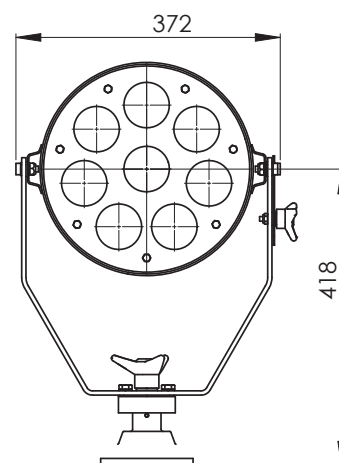
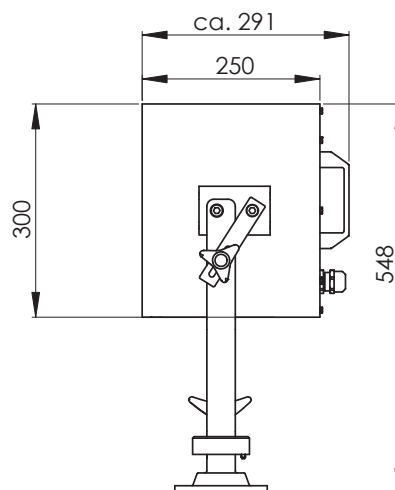
NEW SERIES
Lightweight and cost-effectively version due to alu housing



Scorpius
SS 250 LED D

Technical Data

Name & No.	kg	Description
Scorpius SS 250 LED D	13,60	<ul style="list-style-type: none"> • IP 56 • housing out of seawaterresistant aluminium, bracket out of stainless steel, collimator out of glass, base made of RG5 red brass
Scorpius SS 250 LED DP	21,10	<ul style="list-style-type: none"> • all surfaces white powdercoated RAL 9016, internal surfaces are optical matt black
Scorpius SS 250 LED C	18,60	<ul style="list-style-type: none"> • 8 LED modules • input voltage: 230 V (120-230V) 50/60Hz
Scorpius SS 250 LED CP	26,10	<ul style="list-style-type: none"> • illuminated area in 100m: Ø approx. 14 m • luminous flux: approx. 10.400 lm
Scorpius SS 250 LED R	32,60	<ul style="list-style-type: none"> • peak beam candle power: approx. $6,3 \times 10^5$ cd • beam angle: 8° (also available with 3° or 5°) • light intensity in 100m: approx. 55 lx
Scorpius SS 250 LED RP	40,10	<ul style="list-style-type: none"> • range: 1 lx in approx. 670 m • pan: 370° • duability diode: 30.000 hours in continuous operation (manufacturer's data) • certification: DNV, German Lloyd • modulare LED design combine the outgoing beam telecentric • resistant glass optics with an efficiency of 89% • low weight due to the aluminium housing • international recognized standard



Variations

Mounting Variations	Name	Description
Deck	D	• manual operation of searchlight
Cabin	C	• manual operation from below by control mechanism
Remote Control	R	• searchlight mounted on electric remote control unit complete with joystick, control panel for flush console installation
Pedestal	P	• searchlight on pedestal 1m high, special heights on request

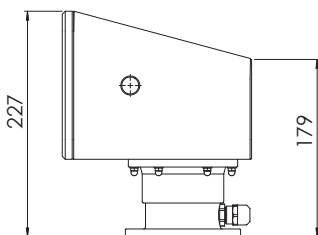
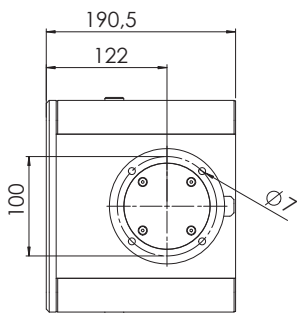
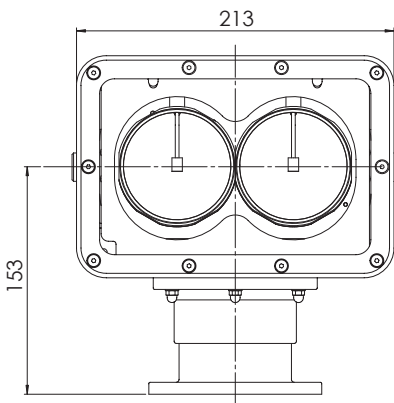
Spare Parts on request

Alterations and technical developments reserved.





Virgo
SS 188 LED R



Technical Data

Name & No.	kg	Description
Virgo SS 188 LED R	6,00	<ul style="list-style-type: none"> • IP 56 • housing, crutch and base made of stainless steel, toughened soda-lime glass lens, parabolically lead coated mirror • all surfaces white powdercoated RAL 9016, internal surfaces are optical matt black • silikon gaskets • 2 white LED modules • input voltage: 12V DC (also available in 24V DC) • illuminated area in 100m: ø 14 m • luminous flux: approx. 600 lm • peak beam candle power: approx. 3,9 x 10⁵ cd • beam angle: 8° • light intensity in 100m: approx. 4 lx • duability diode: 50.000 hours in continuous operation (manufacturer's data) • certification: German Lloyd

Optical Performance

Electric Voltage	Electric Power	Peak Beam Candle Power	Range M 1 Lux	Beam Angle
12V DC	7W	3,9 x 10 ⁵ cd	280 m	8°

Variations

Mounting Variations	Name	Description
Deck	D	• manual operation of searchlight
Cabin	C	• manual operation from below by control mechanism
Remote Control	R	• searchlight mounted on electric remote control unit complete with joystick, control panel for flush console installation
Pedestal	P	• searchlight on pedestal 1m high, special heights on request

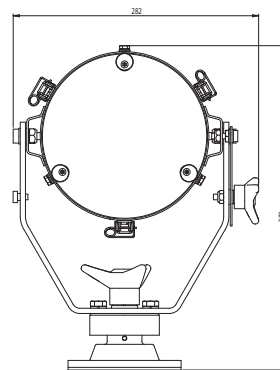
Spare Parts on request



Virgo
SS 190 LED D

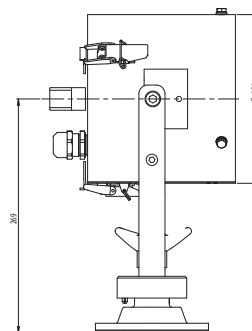
Technical Data

Name & No.	kg	Tilt	Description
Virgo SS 190 LED D	7,00	-40°/+30°	<ul style="list-style-type: none"> • IP 56 • housing and crutch made of stainless steel, base made of RG5, toughened soda-lime glass lens, parabolically lead coated mirror
Virgo SS 190 LED DP	19,50	-40°/+30°	<ul style="list-style-type: none"> • all surfaces white powdercoated RAL 9016, internal surfaces are optical matt black
Virgo SS 190 LED C	12,00	-35°/+20°	<ul style="list-style-type: none"> • silikon gaskets
Virgo SS 190 LED CP	19,50	-35°/+20°	<ul style="list-style-type: none"> • 4 white LED modules • input voltage: 85-264V AC, 120-370V DC or 24V DC • illuminated area in 100m: ø 5 x 5m
Virgo SS 190 LED R	26,00	-35°/+20°	<ul style="list-style-type: none"> • luminous flux: approx. 900 lm • peak beam candle power: approx. 4,2 x 10⁵ cd • beam angle: 3°, also available with 5° or 8°
Virgo SS 190 LED RP	33,50	-35°/+20°	<ul style="list-style-type: none"> • light intensity in 100m: approx. 14 lx • pan: 370° • durability diode: 50.000 hours in continuous operation (manufacturer's data) • certification: German Lloyd



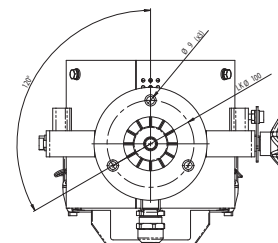
Optical Performance

Electric Voltage	Electric Power	Peak Beam Candle Power	Range M 1 Lux	Beam Angle
24V DC	11W	4,2 x 10 ⁵ cd	700 m	3°
85-264V AC	11W	4,2 x 10 ⁵ cd	700 m	3°
120-370V DC	11W	4,2 x 10 ⁵ cd	700 m	3°



Variations

Mounting Variations	Name	Description
Deck	D	• manual operation of searchlight
Cabin	C	• manual operation from below by control mechanism
Remote Control	R	• searchlight mounted on electric remote control unit complete with joystick, control panel for flush console installation
Pedestal	P	• searchlight on pedestal 1m high, special heights on request



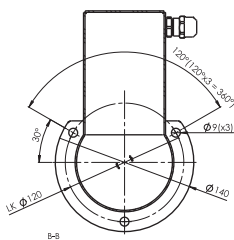
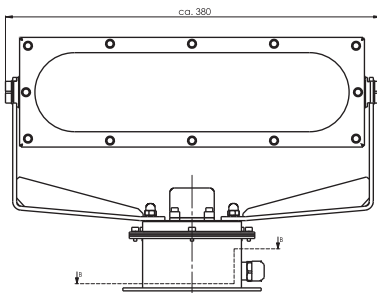
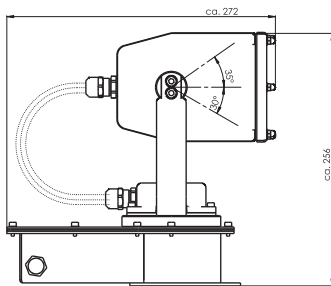
Spare Parts on request

Alterations and technical developments reserved.





Virgo
SS 192 LED R



Technical Data

Name & No.	kg	Description
Virgo SS 192 LED R	7,5	<ul style="list-style-type: none"> • IP 56 • housing and crutch made of stainless steel, toughened soda-lime glass lens, parabolically lead coated mirror • all surfaces white powdercoated RAL 9016, internal surfaces are optical matt black • silikon gaskets • 4 white LED modules • input voltage: 24V DC • illuminated area in 100m: ø 10 m • luminous flux: approx. 900 lm • peak beam candle power: approx. $2,6 \times 10^5$ cd • beam angle: 5°, also available with 3° or 8° • light intensity in 100m: approx. 14 lx • pan: continue rotating • duability diode: 50.000 hours in continuous operation (manufacturer's data) • certification: German Lloyd

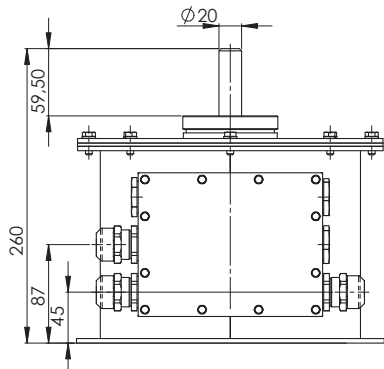
Optical Performance

Electric Voltage	Electric Power	Peak Beam Candle Power	Range M 1 Lux	Beam Angle
24V DC	15W	$2,6 \times 10^5$ cd	410 m	5°

Variations

Mounting Variations	Name	Description
Remote Control	R	• searchlight mounted on electric remote control unit complete with joystick, control panel for flush console installation

Spare Parts on request



Remote Unit



Virgo SS 250 LED D

Technical Data

Name & No.	kg	Tilt	Description
Virgo SS 250 LED D	15,00	-35°/+30°	<ul style="list-style-type: none"> IP 56 housing, back plate and crutch made of stainless steel, base made of RG5, toughened soda-lime glass lens, parabolically lead coated mirror
Virgo SS 250 LED DP	22,50	-35°/+30°	<ul style="list-style-type: none"> all surfaces white powdercoated RAL 9016, internal surfaces are optical matt black
Virgo SS 250 LED C	20,00	-35°/+20°	<ul style="list-style-type: none"> silikone gaskets
Virgo SS 250 LED CP	27,50	-35°/+20°	<ul style="list-style-type: none"> 7 white LED modules input voltage: 85-264V AC, 120-370V DC or 24V DC
Virgo SS 250 LED R	34,00	-35°/+20°	<ul style="list-style-type: none"> illuminated area in 100m: 0,5 x 5m luminous flux: approx. 2.100 lm peak beam candle power: approx. 9,5 x 10⁵ cd beam angle: 3°, also available with 5° or 8°
Virgo SS 250 LED RC	41,50	-35°/+20°	<ul style="list-style-type: none"> light intensity in 100m: approx. 97 lx pan: 370° duability diode: 50.000 hours in continuous operation (manufacturer's data) certification: German Lloyd with electrical focus on request

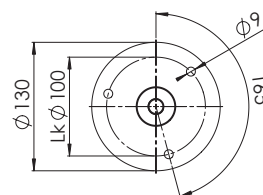
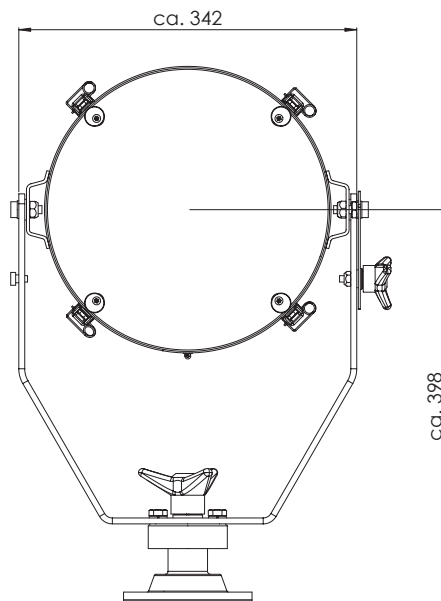
Optical Performance

Electric Voltage	Electric Power	Peak Beam Candle Power	Range M 1 Lux	Beam Angle
24V DC	29W	9,5 x 10 ⁵ cd	900 m	3°
110-120V AC	29W	9,5 x 10 ⁵ cd	900 m	3°
220-230V AC	29W	9,5 x 10 ⁵ cd	900 m	3°

Variations

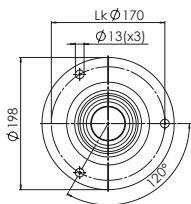
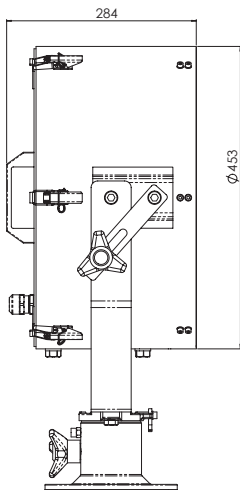
Mounting Variations	Name	Description
Deck	D	<ul style="list-style-type: none"> manual operation of searchlight
Cabin	C	<ul style="list-style-type: none"> manual operation from below by control mechanism
Remote Control	R	<ul style="list-style-type: none"> searchlight mounted on electric remote control unit complete with joystick, control panel for flush console installation
Pedestal	P	<ul style="list-style-type: none"> searchlight on pedestal 1m high, special heights on request

Spare Parts on request





Virgo
SS 350 LED D



Technical Data

Name & No.	kg	Tilt	Description
Virgo SS 350 LED D	31,00	-40°/+30°	<ul style="list-style-type: none"> • IP 56 • housing, back plate and crutch made of stainless steel, base made of RG5, toughened soda-lime glass lens, parabolically lead coated mirror
Virgo SS 350 LED DP	43,50	-40°/+30°	<ul style="list-style-type: none"> • all surfaces white powdercoated RAL 9016, internal surfaces are optical matt black
Virgo SS 350 LED C	36,50	-35°/+20°	<ul style="list-style-type: none"> • silikon gaskets • 19 white LED modules
Virgo SS 350 LED CP	49,00	-35°/+20°	<ul style="list-style-type: none"> • input voltage: 85-264V AC, 120-370V DC or 24V DC • illuminated area in 100m: ø 5 x 5m
Virgo SS 350 LED R	80,00	-35°/+20°	<ul style="list-style-type: none"> • luminous flux: approx. 5.700 lm • peak beam candle power: approx. 2,6 x 10⁶ cd • beam angle: 3°, also available with 5° or 8°
Virgo SS 350 LED RP	99,00	-35°/+20°	<ul style="list-style-type: none"> • light intensity in 100m: approx. 250 lx • pan: 370° • duability diode: 50.000 hours in continuous operation (manufacturer's data) • certification: German Lloyd • with electrical focus on request

Optical Performance

Electric Voltage	Electric Power	Peak Beam Candle Power	Range M 1 Lux	Beam Angle
24V DC	80W	2,6 x 10 ⁶ cd	1.400 m	3°
110-120V AC	80W	2,6 x 10 ⁶ cd	1.400 m	3°
220-230V AC	80W	2,6 x 10 ⁶ cd	1.400 m	3°

Variations

Mounting Variations	Name	Description
Deck	D	• manual operation of searchlight
Cabin	C	• manual operation from below by control mechanism
Remote Control	R	• searchlight mounted on electric remote control unit complete with joystick, control panel for flush console installation
Pedestal	P	• searchlight on pedestal 1m high, special heights on request

Spare Parts on request





Virgo
SS 350 Cam LED D

Technical Data

Name & No.	kg	Tilt	Description
Virgo SS 350 Cam LED D	31,00	-40°/+30°	<ul style="list-style-type: none"> • rfaces white powdercoated RAL 9016, internal surfaces are optical matt black • silikon gaskets
Virgo SS 350 Cam LED DP	43,50	-40°/+30°	<ul style="list-style-type: none"> • 12 white LED modules • 6 infrared LED modules
Virgo SS 350 Cam LED C	36,50	-35°/+20°	<ul style="list-style-type: none"> • input voltage: 85-264V AC, 120-370V DC or 24V DC • illuminated area in 100m: approx. \varnothing 5 x 5m • luminous flux: approx. 3.600 lm white LEDs • luminosity: approx. $1,6 \times 10^5$ cd • beam angle: 3°, also available with 5° or 8°
Virgo SS 350 Cam LED CP	49,00	-35°/+20°	<ul style="list-style-type: none"> • light intensity in 100m: approx. 110 lx • pan: 370°
Virgo SS 350 Cam LED R	80,00	-35°/+20°	<ul style="list-style-type: none"> • durability diode: 50.000 hours in continuous operation (manufacturer's data) • certification: German Lloyd • wave length: IR modules: 940nm • beam power: IR modules 350mW total beam power 2,5W
Virgo SS 350 Cam LED RP	113,00	-35°/+20°	<ul style="list-style-type: none"> • camera: 1/4" Sony Super HAD II Double Scann CCD • pixel: NTSC 1028 (H) x 508V / PAL 1028 (H) x 596 (V) • focus: auto / one push / manual • e-zoom: off / max. x2 - x32 • day & night: day/night/auto/exit

Optical Performance white LED

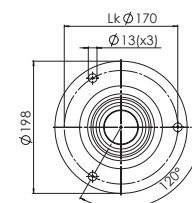
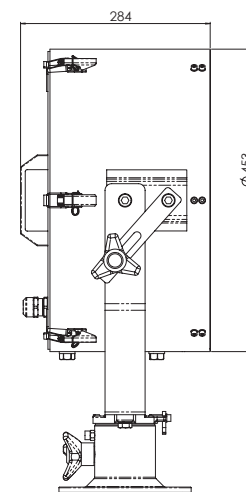
Electric Voltage	Electric Power	Peak Beam Candle Power	Range M 1 Lux	Divergence
24V DC	40W	$1,6 \times 10^6$ cd	1.100 m	3°
85-264V AC	40W	$1,6 \times 10^6$ cd	1.100 m	3°
120-370V DC	40W	$1,6 \times 10^6$ cd	1.100 m	3°

Variations

Mounting Variations	Name	Description
Deck	D	• manual operation of searchlight
Cabin	C	• manual operation from below by control mechanism
Remote Control	R	• searchlight mounted on electric remote control unit complete with joystick, control panel for flush console installation
Pedestal	P	• searchlight on pedestal 1m high, special heights on request

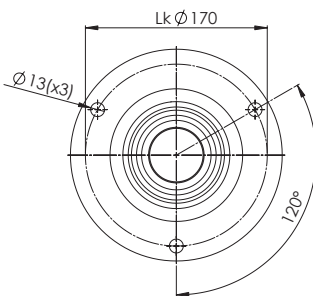
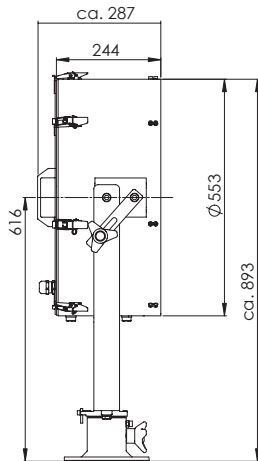
Spare Parts on request

Alterations and technical developments reserved.





Virgo
SS 450 LED D



Technical Data

Name & No.	kg	Tilt	Description
Virgo SS 450 LED D	40,50	-40°/+30°	<ul style="list-style-type: none"> • IP 56 • housing, back plate and crutch made of stainless steel, base made of RG5, toughened soda-lime glass lens, parabolically lead coated mirror • all surfaces white powdercoated RAL 9016, internal surfaces are optical matt black
Virgo SS 450 LED DP	53,00	-40°/+30°	
Virgo SS 450 LED C	45,50	-30°/+20°	<ul style="list-style-type: none"> • silikon gaskets • 31 white LED modules • input voltage: 85-264V AC, 120-370V DC or 24V DC • illuminated area in 100m: 0 5 x 5m
Virgo SS 450 LED CP	58,00	-30°/+20°	
Virgo SS 450 LED R	89,50	-30°/+20°	<ul style="list-style-type: none"> • luminous flux: approx. 11.100 lm • peak beam candle power: approx. 5,0 x 10⁵ cd • beam angle: 3°, also available with 5° or 8°
Virgo SS 450 LED RC	122,50	-30°/+20°	

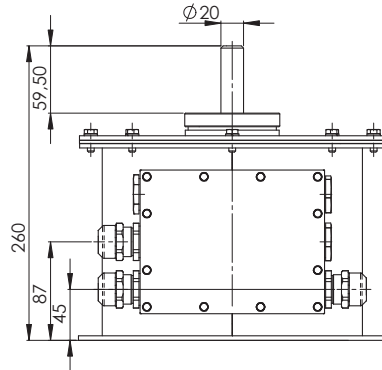
Optical Performance

Electric Voltage	Electric Power	Peak Beam Candle Power	Range M 1 Lux	Beam Angle
24V DC	130W	5,0 x 10 ⁶ cd	2.000 m	3°
220-230V AC	130W	5,0 x 10 ⁶ cd	2.000 m	3°
110-120V AC	130W	5,0 x 10 ⁶ cd	2.000 m	3°

Variations

Mounting Variations	Name	Description
Deck	D	• manual operation of searchlight
Cabin	C	• manual operation from below by control mechanism
Remote Control	R	• searchlight mounted on electric remote control unit complete with joystick, control panel for flush console installation
Pedestal	P	• searchlight on pedestal 1m high, special heights on request

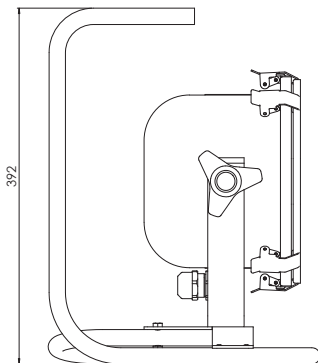
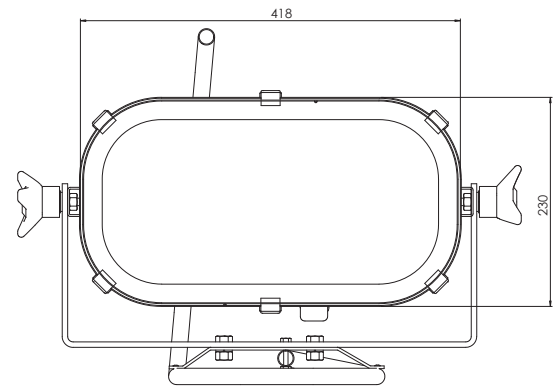
Spare Parts on request



MUSCA SSV7 M

Technical Data

Name & No.	kg	Tilt	Description
Musca SSV 5 R	27,00	-35°/+20°	<ul style="list-style-type: none"> • IP 56 • housing, glass holding frame, latches and brackets made of stainless steel, hard glass pane, resistant against temperature changes
Musca SSV 5 M	9,00	-35°/+20°	<ul style="list-style-type: none"> • housing white powdercoated RAL 9016, internal surfaces are optical matt black
Musca SSV 7 R	28,00	-35°/+20°	<ul style="list-style-type: none"> • cable gland: M18 x 1.5 (IP 68) • voltage: 85-264V AC, 12-375V DC, 24V DC
Musca SSV 7 M	23,00	-35°/+20°	<ul style="list-style-type: none"> • 5 x or 7 x High Power LED modules • ambient temperature: -20°C - +40°C • light intensity 100m: approx. 70 lx (SSV 5) & approx. 97 lx (SSV 7) • illuminated area 100m: approx. Ø 5m • beam angle: 3°, also available with 5° or 8° • luminous flux: approx. 1.500lm (SSV 5) / approx. 2.100 lm (SSV 7) • durability diode: 50.000 hrs. (manufacturer's data) in continuous operation • certification: German Lloyd
			Your Advantages
			<ul style="list-style-type: none"> • improved level of efficiency compared to halogen technology • modular LED concept: bundles output beam telecentrically • low energy consumption • easy to use: lightweight and compact • solid construction • far reaching • spray-water protected • international recognized standard



Optical Performance

Typ	Wattage	Peak Beam Candle Power	Range M 1 Lux	Divergence
SSV 5	22W	6,5 x 10 ⁵ cd	700 m	3°
SSV 7	29W	9,5 x 10 ⁵ cd	900 m	3°

Variations

Mounting Variations	Name	Description
Mobile	M	• with mounting bracket for carriage
Remote Control	R	• searchlight mounted on electric remote control unit complete with joystick, control panel for flush console installation

Spare Parts on request

Alterations and technical developments reserved.



LED-1
LED-2
LED-3
LED-4

Chamaeleon

Floodlights with LED Technology

karl-dose.com/Chamaeleon

ENERGY
management



Chamaeleon
LED-1

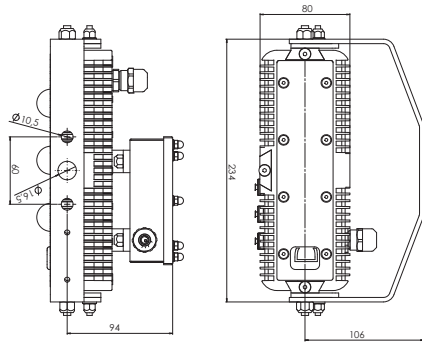


Chamaeleon
LED-2 variant 1

NEW SERIES
installation with a modular construction system,
individually configurable

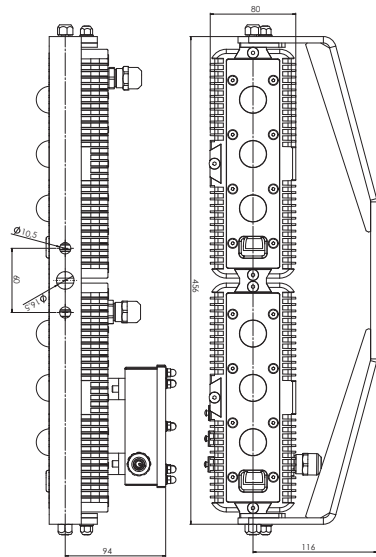
Technical Data

Name & No.	Watt	kg	Description
Chamaeleon LED-1	30W	3,00	<ul style="list-style-type: none"> • IP 56 • casing made of aluminium / brass • casing powdercoated RAL 9016 • cable gland: M18 x 1,5 (IP 68) • input voltage: 85-264V AC, 12-375V DC, 24V DC
Chamaeleon LED-2	60W	6,00	<ul style="list-style-type: none"> • 3 x High Power LED modules • light output: approx. 1.300 lm / LED • luminous colour: approx. 5.000K
Chamaeleon LED-3	90W	9,00	<ul style="list-style-type: none"> • ambient temperature: -25°C up to +45°C • optical light output ratio: 140 lumen / watt
Chamaeleon LED-4	120W	12,00	<ul style="list-style-type: none"> • round angle available in: 60°, 90°, 120°, 150x90° and 155x120° • modular construction. The light output can be accommodated to meet your specific application needs. • every floodlight can individual compose with maximal 4 elements for your solutions.

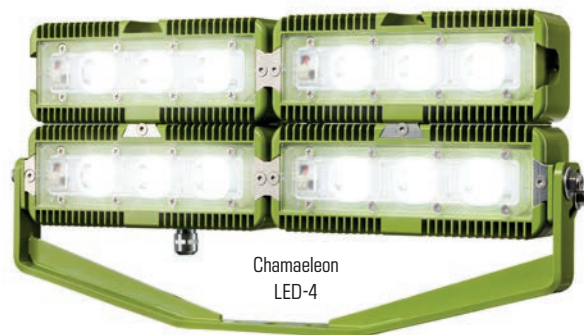


Chamaeleon LED-1

Spare Parts on request



Chamaeleon LED-2 variant 1



Chamaeleon
LED-4



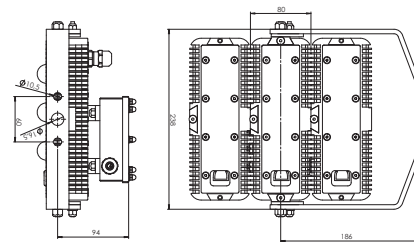
Chamaeleon
LED-2 variant 2



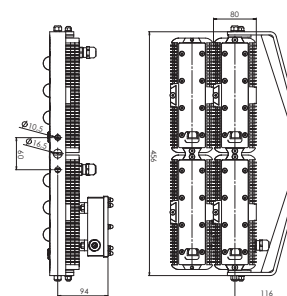
Chamaeleon
LED-3

Optical Performance

Typ	beam angle round angle	range in 5m	illuminated area	luminous flux (1.300 lm/LED)
Chamaeleon LED-1	60°	120 lux	in 5 m: ca. Ø 5,8 m	ca. 3.501 lm
	90°	45 lux	in 5 m: ca. Ø 10 m	ca. 3.500 lm
	120°	15 lux	in 10 m: ca. Ø 17,3 m	ca. 3.501 lm
	150x90°	3 lux	in 5 m: ca. 35 x 12 m	ca. 3.500 lm
	155x120°	2 lux	in 5 m: ca. 35 x 16 m	ca. 3.108 lm
Chamaeleon LED-2	60°	267 lux	in 5 m: ca. Ø 5,8 m	ca. 7.002 lm
	90°	89 lux	in 5 m: ca. Ø 10 m	ca. 7.000 lm
	120°	30 lux	in 10 m: ca. Ø 17,3 m	ca. 7.002 lm
	150x90°	6 lux	in 5 m: ca. 35 x 12 m	ca. 7.000 lm
	155x120°	4 lux	in 5 m: ca. 35 x 16 m	ca. 6.216 lm
Chamaeleon LED-3	60°	401 lux	in 5 m: ca. Ø 5,8 m	ca. 10.503 lm
	90°	134 lux	in 5 m: ca. Ø 10 m	ca. 10.500 lm
	120°	45 lux	in 10 m: ca. Ø 17,3 m	ca. 10.503 lm
	150x90°	9 lux	in 5 m: ca. 35 x 12 m	ca. 10.500 lm
	155x120°	6 lux	in 5 m: ca. 35 x 16 m	ca. 9.324 lm
Chamaeleon LED-4	60°	535 lux	in 5 m: ca. Ø 5,8 m	ca. 14.004 lm
	90°	178 lux	in 5 m: ca. Ø 10 m	ca. 14.000 lm
	120°	59 lux	in 10 m: ca. Ø 17,3 m	ca. 14.004 lm
	150x90°	12 lux	in 5 m: ca. 35 x 12 m	ca. 14.000 lm
	155x120°	8 lux	in 5 m: ca. 35 x 16 m	ca. 12.432 lm



Chamaeleon LED-3



Chamaeleon LED-4

Kondo

Adapter for container corners

karl-dose.com/**Kondo**

ENERGY
management



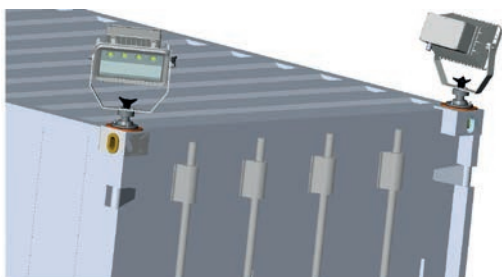
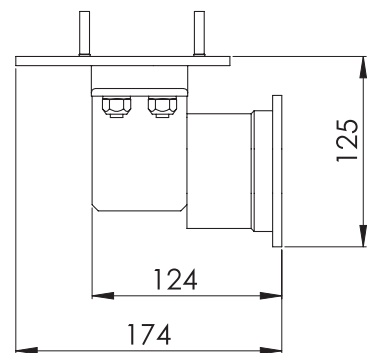
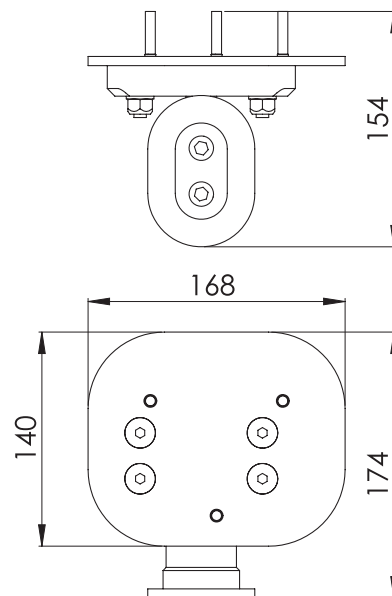
Kondo

NEW

Simple and space-saving installation
on the container

Technical Data

Name & No.	kg	Description
Kondo	2,6	adapter consisting of RG5 / brass / stainless steel • powdercoatet RAL9016 • seawater resistant acc. to ISO 1161-84 and Container ISO-Norm 668 • for the direct floodlight installation on the container corner





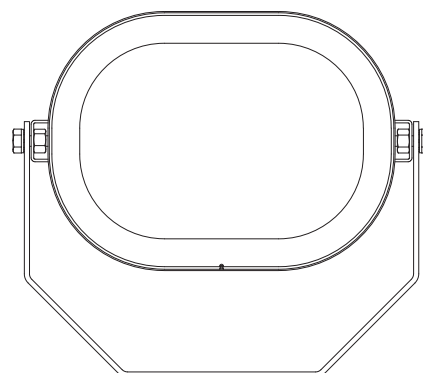
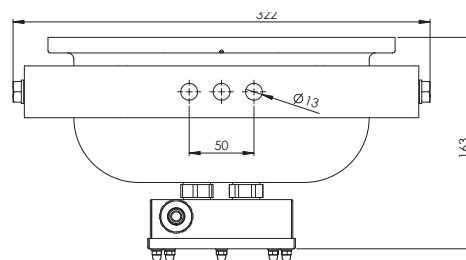
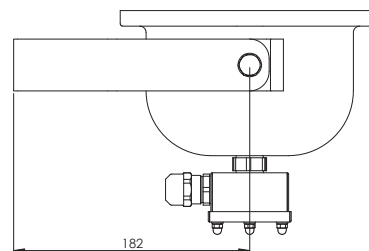
NEW
Latest design



Auriga 200 V3 white

Technical Data

Name & No.	Wattage	kg	Description
Auriga 200 V3 white	34W	5,1	<ul style="list-style-type: none"> • IP 67 • casing and bracket made of stainless steel, clear hard glass pane, resistant against temperature changes • casing powdercoated RAL 9016 • cable gland: M18 x 1,5 (IP 68) • input voltage: 85-264V AC, 12-375V DC, 24V DC • 14 x High Power LED modules • output: approx. 280 lm / LED • luminous colour: 6300K • ambient temperature: -40°C up to +40°C • light intensity in 10m: approx. 174 lx / 10m • light intensity in 100m: approx. 21 lx • illuminated area in 10m: approx. ø 5 m • illuminated area in 100m: approx. ø 49,9 m • luminous flux: approx. 3.400 lm • optical light output ratio: 100 lumen / watt • beam angle: 28° (also available with 10° or 62°)
Auriga 200 V3 red	27W	5,1	<ul style="list-style-type: none"> • IP 67 • casing and bracket made of stainless steel, clear hard glass pane, resistant against temperature changes • casing powdercoated RAL 9016 • cable gland: M18 x 1,5 (IP 68) • input voltage: 85-264V AC, 12-375V DC, 24V DC • 14 x High Power LED modules • output: approx. 88 lm / LED • wavelenght: 625 nm • ambient temperature: -40°C up to +40°C • light intensity in 10m: approx. 511 lx • luminous flux: approx. 1.000 lm • optical light output ratio: 100 lumen / watt • beam angle: 28° (also available with 10° or 62°)



Spare Parts on request

1000 V3

Auriga

Stainless Steel Floodlight

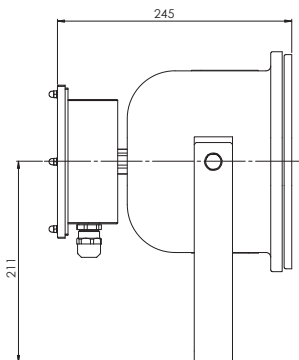
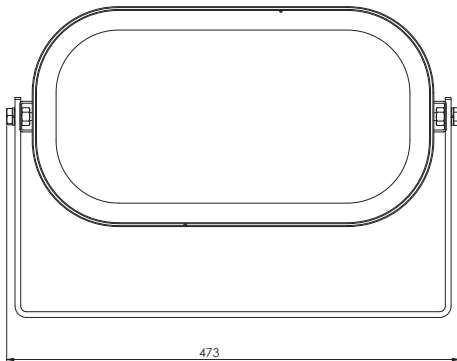
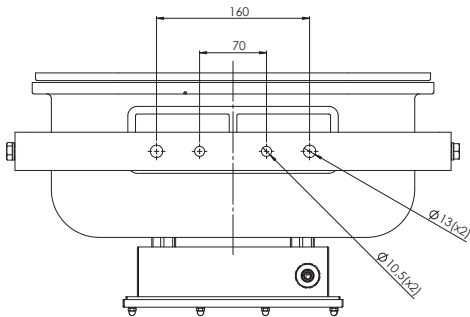
karl-dose.com/Auriga



NEW
Latest design



Auriga 1000



Technical Data

Name & No.	Wattage	kg	Description
Auriga 1000 V3	65W	11,6	<ul style="list-style-type: none"> • IP 67 • casing and bracket made of stainless steel, clear hard glass pane, resistant against temperature changes • casing powdercoated RAL 9016 • cable gland: M18 x 1.5 (IP 68) • input voltage: 85-264V AC, 12-375V DC, 24V DC • 28 x High Power LED modules • output: approx. 280 lm / LED • luminous colour: 6300K • ambient temperature: -40°C up to +40°C • light intensity in 10m: approx. 333 lx / 10m • light intensity in 100m: approx. 21 lx • illuminated area in 10m: approx. Ø 5 m • illuminated area in 100m: approx. Ø 49,9 m • luminous flux: approx. 6.500 lm • optical light output ratio: 100 lumen / watt • beam angle: 28° (also available with 10° or 62°)

Spare Parts on request



NEW
Latest design

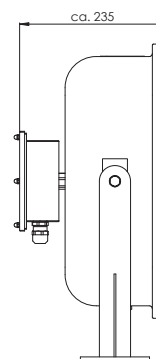
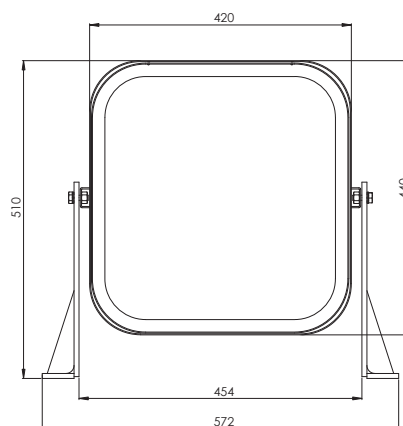
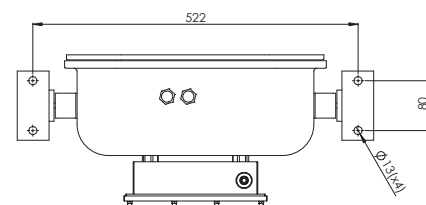


Auriga 2000

Technical Data

Name & No.	Wattage	kg	Description
Auriga 2000 V3	2 x 65W	28,0	<ul style="list-style-type: none"> • IP 67 • casing and brackets made of stainless steel, clear hard glass pane, resistant against temperature changes • casing powdercoated RAL 9016 • cable gland: M18 x 1,5 (IP 68) • input voltage: 85-264V AC, 12-375V DC, 24V DC • 56 x High Power LED modules • output: approx. 280 lm / LED • luminous colour: 6300K • ambient temperature: -40°C up to +40°C • light intensity in 10m: approx. 666 lx • light intensity in 100m: approx. 7 lx • illuminated area in 10m: approx. ø 5 m • illuminated area in 100m: approx. ø 5 m • luminous flux: approx. 13.000 lm • optical light output ratio: up to 100 lumen / watt • beam angle: 28° (also available with 10° or 62°)

Spare Parts on request





Tucana 2 LED



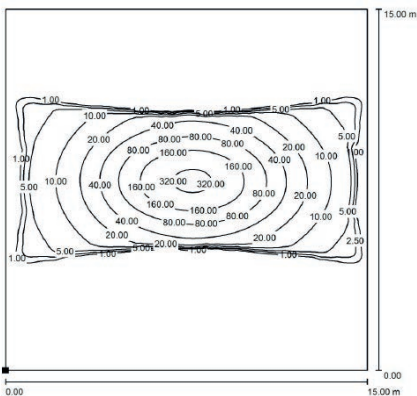
Tucana 4 LED



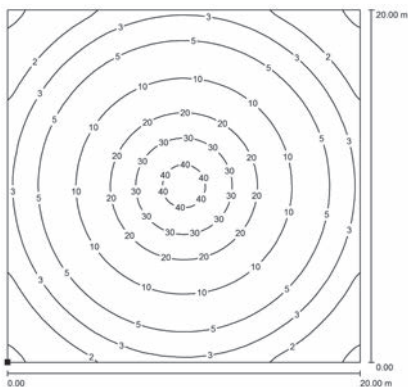
Tucana 6 LED

Technical Data

Name & Nr.	Watt	kg	Beschreibung
			<ul style="list-style-type: none"> • IP 67 • holding frame, connection box and bracket made of stainless steel • output power: approx. 1.000 lm / LED module <p>Each floodlight can be individually assembled with LED modules 45°x20° and 120°x120°: 45° x 20° for spot lighting 120° x 120° for area lighting On request, we can adjust the floodlight to your needs and also offer other combinations and sizes.</p>
Tucana 2 LED	18W	1,50	<ul style="list-style-type: none"> • 2 x High Power LED modules • input voltage: 24V DC • luminous flux: approx. 1.900 lm • illumination level in 10m: approx. 2lx • illumination level in 15m: approx. 1lx • illumination area in 10m: ø 34,6m • illumination area in 15m: ø 52m • Luminaire efficiency: 108 lumen / watt
Tucana 4 LED	36W	2,00	<ul style="list-style-type: none"> • 4 x High Power LED modules • input voltage: 24V DC • luminous flux: approx. 3797 lm • illumination level in 10m: approx. 4lx • illumination level in 15m: approx. 2lx • illumination area in 10m: ø 34,6m • illumination area in 15m: ø 52m • Luminaire efficiency: 106 lumen / watt
Tucana 6 LED 45°x20°	60W	2,50	<ul style="list-style-type: none"> • 6 x High Power LED modules • input voltage: 230V AC or 24V DC • luminous flux: approx. 5.678 lm • light intensity in 10 m: approx. 105 lx • light intensity in 30 m: approx. 12 lx • illuminated area in 10 m: approx. 9 m x 5 m • illuminated area in 30 m: approx. 25 m x 11 m • optical light output ratio: 94 lumen / watt
Tucana 6 LED 120°x120°	60W	2,50	<ul style="list-style-type: none"> • 6 x High Power LED modules • input voltage: 230V AC or 24V DC • luminous flux: approx. 5.678 lm • light intensity in 10 m: approx. 6 lx • light intensity in 30 m: approx. 12 lx • illuminated area in 10 m: ø 34,6 m • illuminated area in 30 m: ø 104 m • optical light output ratio: 94 lumen / watt



Tucana 6 LED 45° x 20°, measuring distance: 10m



Tucana 6 LED 120° x 120°, measuring distance: 10m

Spare Parts on request

ENERGY
management



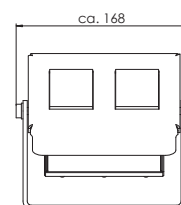
Tucana 20 LED



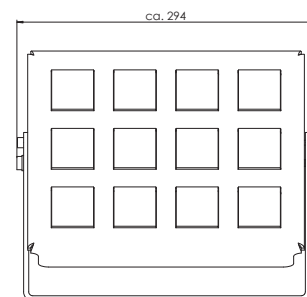
Tucana 30 LED

Technical Data

Name & Nr.	Watt	kg	Beschreibung
Tucana 12 LED	102W	6,90	<ul style="list-style-type: none"> • 12 x High Power LED modules • input voltage: 230V AC • luminous flux: approx. 11.370 lm • light intensity in 10 m: approx. 12 lx • light intensity in 45 m: approx. 1 lx • illuminated area in 10 m: ø 34,6 m • illuminated area in 30 m: ø 156 m • optical light output ratio: 111 lumen / watt
Tucana 20 LED	167W	11,50	<ul style="list-style-type: none"> • 20 x High Power LED modules • input voltage: 230V AC • luminous flux: approx. 18.950 lm • light intensity in 10 m: approx. 20 lx • light intensity in 62 m: approx. 1 lx • illuminated area in 10 m: ø 34,6 m • illuminated area in 62 m: ø 225 m • optical light output ratio: 113 lumen / watt
Tucana 30 LED	256W	14,50	<ul style="list-style-type: none"> • 30 x High Power LED modules • input voltage: 230V AC • luminous flux: approx. 28.424 lm • light intensity in 10 m: approx. 30 lx • light intensity in 75 m: approx. 1 lx • illuminated area in 10 m: ø 34,6 m • illuminated area in 75 m: ø 260 m • optical light output ratio: 111 lumen / watt

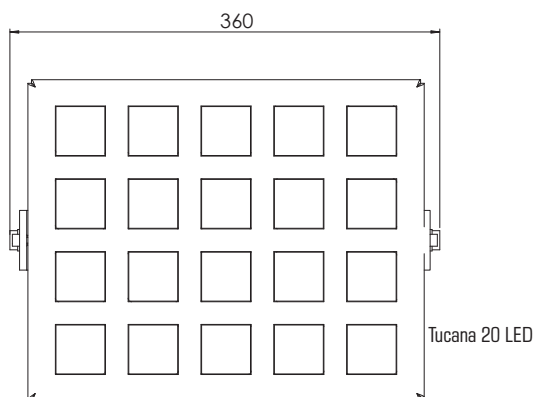


Tucana 2 LED

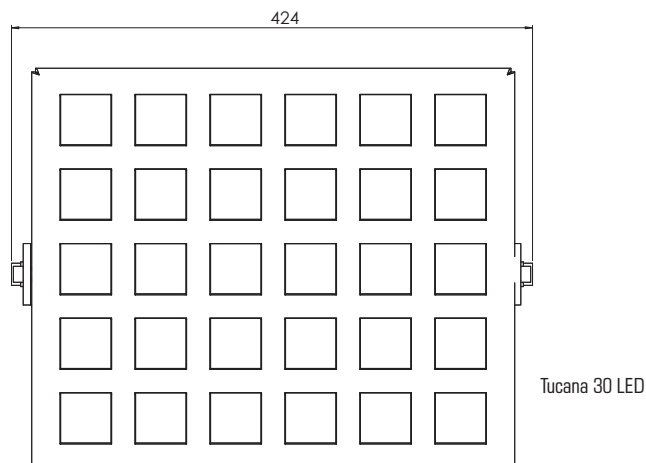


Tucana 12 LED

Spare Parts on request



Tucana 20 LED



Tucana 30 LED

Alterations and technical developments reserved.

LED

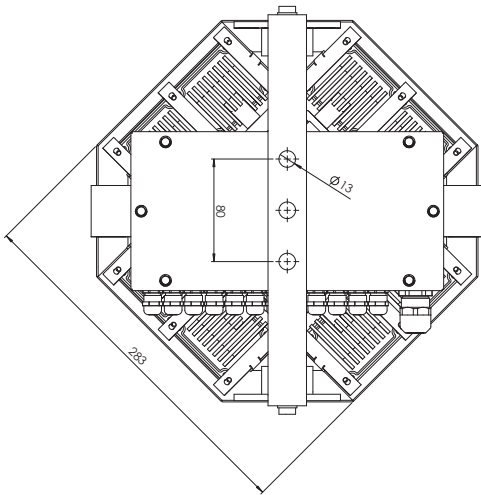
Tucana Argus

LED-Floodlight

karl-dose.com/Tucana



Tucana Argus

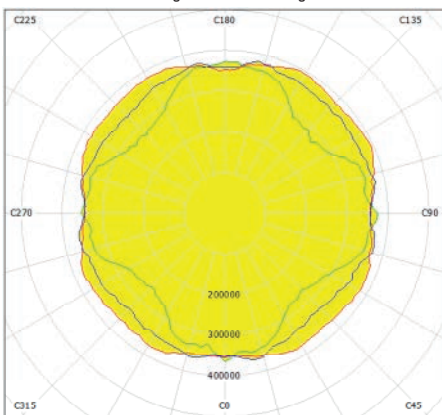


Technical Data

Name & No.	Watt	kg	Description
			Specially developed floodlight for lighting of more than 180° in all directions. The floodlight can be individually assembled with LED modules 45°x20° and 120°x120°: 45° x 20° for spot lighting 120° x 120° for area lighting On request, we can adjust the floodlight to your needs and also offer other combinations and sizes.
Tucana Argus	100W	6,8	<ul style="list-style-type: none"> • IP 67 • holding frame, connection box and bracket made of stainless steel • input voltage: 85-264V AC, 120-370V DC, 24V DC • output power: ca. 1.000 lm / LED module • 12 x High Power LED modules • luminous flux: approx. 12.000 lm

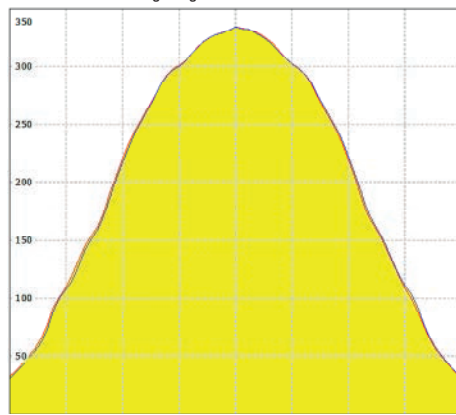
Spare Parts on request

Tucana Argus luminance diagram



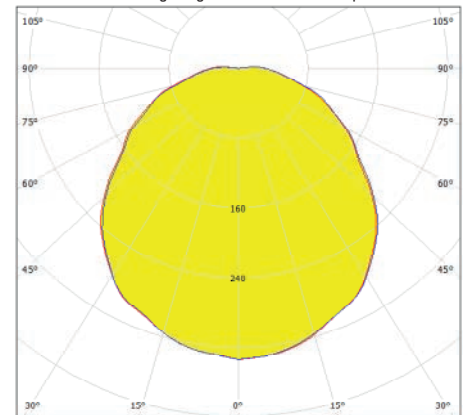
cd/m²
 — g = 55.0° — g = 65.0° — g = 75.0°

Tucana Argus light distribution curve linear



cd/klm
 — C0 - C180 — C90 - C270
 η = 100%

Tucana Argus light distribution curve polar



cd/klm
 — C0 - C180 — C90 - C270
 η = 100%

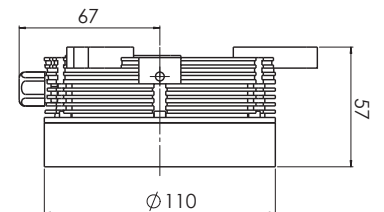
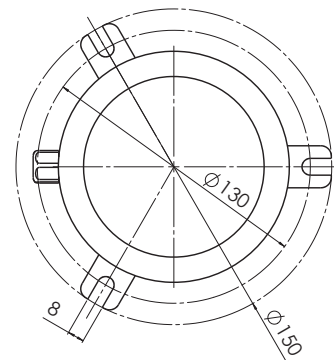


Dorado

Technical Data

Name & No.	Watt	kg	Description
Dorado LED 11	11W	0,90	<ul style="list-style-type: none"> • IP 68 • Housing made of stainless steel • Input voltage: 12V - 30V • 1 plate with 9 High Power LEDs • output power: approx. 140 lm/LED • luminous colour: 4000K • luminous flux: approx. 1.200 lm • beam angle: 120° • waterproofed up to 2 bar • Certification: German Lloyd

Spare Parts on request



LED 11
LED 13
LED 17

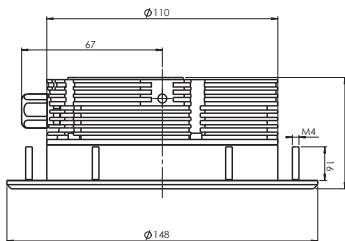
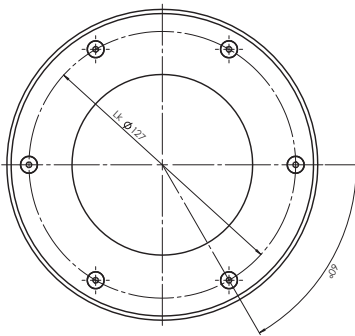
Tarandus

LED Downlights

karl-dose.com/Tarandus



Tarandus



Technical Data

Name & No.	Watt	kg	Description
Tarandus LED 11	11W	0,90	<ul style="list-style-type: none"> • IP 56 • Housing made of seawater resistant, anodised aluminum • Input voltage: 12V - 30V • 1 plate with 9 High Power LEDs • output power: approx. 140 lm/LED • luminous colour: 4000K • luminous flux: approx. 1.200 lm • beam angle: 120° • Certification: German Lloyd
Tarandus LED 13	13W	0,90	<ul style="list-style-type: none"> • IP 56 • Housing made of seawater resistant, anodised aluminum • Input voltage: 230V (120V available on request) • 1 x High Voltage/Mid Power LED module • output power: approx. 140 lm/LED • luminous colour: 4000K • luminous flux: approx. 1.200 lm • beam angle: 120° • Certification: German Lloyd
Tarandus LED 17	17W	0,90	<ul style="list-style-type: none"> • IP 56 • Housing made of seawater resistant, anodised aluminum • Input voltage: 230V (120V available on request) • 1 x High Voltage/Mid Power LED module • output power: approx. 140 lm/LED • luminous colour: 4000K • luminous flux: approx. 1.200 lm • beam angle: 120° • Certification: German Lloyd

Spare Parts on request

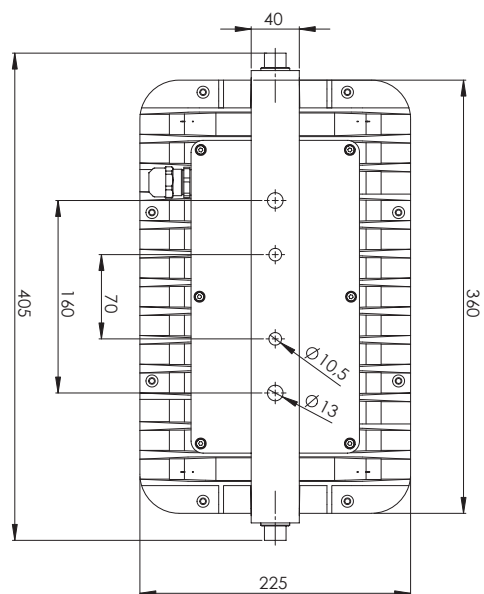
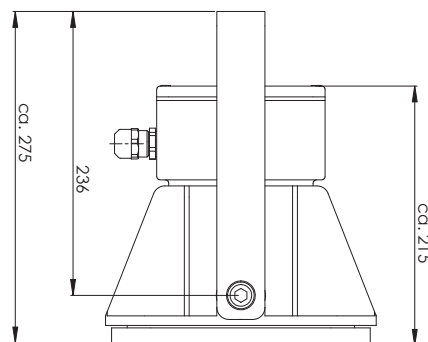


Hercules 4

Technical Data

Name & No.	Watt	kg	Description
Hercules LED 3	120W	11,70	<ul style="list-style-type: none"> • IP 67 • holding frame and connection box made of seawater resistant aluminum, bracket made of stainless steel • input voltage: 120-305V AC / 120-431V DC • 3 x High Power LED modules • output power: approx. 6.000 lm / LED module • input power: approx. 120W • luminous flux: approx. 18.000 lm • illuminated area in 10 m: approx. ø 6 m • light intensity in 10 m: approx. 700 lx • illuminated area in 30 m: approx. ø 18 m • light intensity in 30 m: approx. 80 lx • full angle at half intensity: 32° • optical light output ratio: up to 106 Lumen / Watt
Hercules LED 4	180W	11,70	<ul style="list-style-type: none"> • IP 67 • holding frame and connection box made of seawater resistant aluminum, bracket made of stainless steel • input voltage: 150-305V AC / 150-431V DC • 4 x High Power LED modules • output power: approx. 5.000 lm / LED module • input power: approx. 180W • luminous flux: approx. 20.000 lm • illuminated area in 10 m: approx. ø 35 m • light intensity in 10 m: approx. 21 lx • illuminated area in 20 m: approx. ø 70 m • light intensity in 20 m: approx. 5 lx • full angle at half intensity: 120° • optical light output ratio: up to 105 Lumen / Watt

Spare Parts on request





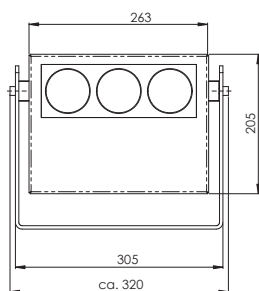
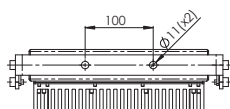
Cygnus C



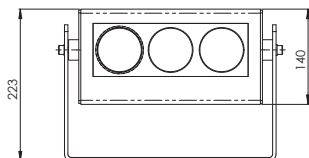
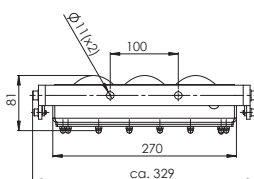
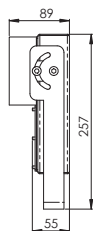
Cygnus W

NEW SERIES

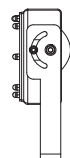
Suitable for cargo or under-water locations



Cygnus
C - Cargo



Cygnus
W - Wasser



Technical Data

Name & No.	Watt	kg	Description
Cygnus C - Cargo	11W	6,40	<ul style="list-style-type: none"> • IP 56 • casing made of aluminium / stainless steel • powdercoated RAL9016 • cable gland: M16 x 1.5 (IP 68) • input voltage: 100-240VAC // 50/60Hz • 3 x High Power LED modules • continuous output: up to 50.000 hrs (manufacturer's data) • light output: approx. 9.100 lm with beam angle: 10,6° FWHM* • light output: approx. 7.400 lm with beam angle: 71,0° FWHM* • luminous colour: approx. 6.000K • ambient temperature: -35°C up to +40°C • ballast integrated"
Cygnus W - Wasser	13W	5,20	<ul style="list-style-type: none"> • IP 68 up to 3 bar • casing made of stainless steel (uncoated) • suitable for using in the drinking water sector • suitable for underwater using • cable gland: M16 x 1.5 (IP 68) • input voltage: 24V DC (20-28VDC) • 3 x High Power LED modules • continuous output: up to 50.000 hrs (manufacturer's data) • light output: approx. 9.100 lm with beam angle: 10,6° FWHM* • light output: approx. 7.400 lm with beam angle: 71,0° FWHM* • luminous colour: approx. 6.000K • ambient temperature: 0°C up to +25°C

Spare Parts on request

*FWHM = Full Width at Half Maximum

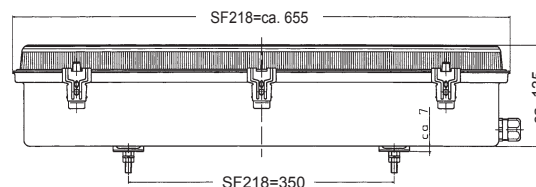
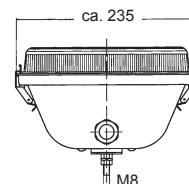


Naos LED

Technical Data

Name & No.	Watt	kg	Description
Naos LED	24W	3,5	<ul style="list-style-type: none"> • IP 66 • stainless steel housing and clips, structured diffuser made of polycarbonate, polyester coated steel gear tray • cable gland: M24x1,5 (IP68) • incl. LED carrier and 2x LED stripe with each 30 pcs High Power LEDs • durability: up to 30.000 hours (manufacturer's data) depends on operating temperature • lamp colour: warm white (3000K, other lightcolours on request) • supply current: 90-250V AC, 130-370V DC, 24V DC (other voltage and frequency upon request) • power: 2 x 500mA • input power: 24W • lighting current: approx. 2.700 lm • beam angle: 120° • ambient temperature: -40°C bis +40°C • optimized thermal management • Like other illuminants the highly efficient SMD LEDs develop heat. Light current and lifetime can be reduced when temperature at the LEDs gets too high. Dose attaches great importance to the thermal management in lighting. The LED modules can operate under the critical temperature level and they can deliver their full performance throughout their whole durability. The fitting of the LED module directly on to the LED heatsink ensures an efficient dissipation of the LEDs thermal load. The design, construction and material of the case are also integrated in the thermal management, without any invalid warming.

Spare Parts on request



Apus

Apus

LED Linear Luminary

karl-dose.com/**Apus**

ENERGY
management



Apus

NEW

Lightweight and space saving
design for 270° illumination

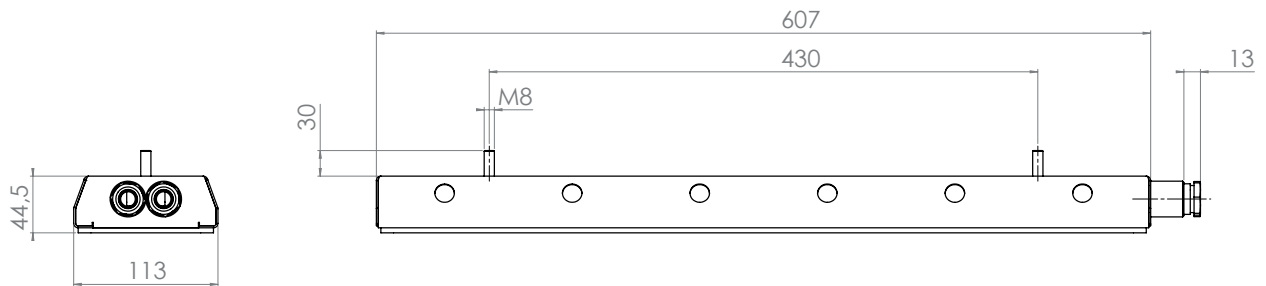
Technical Data

Name & No.	Watt	kg	Description
Apus	25W	2,00	<ul style="list-style-type: none">• IP 56• casing made of Steel / Polycarbonate• casing additional powdercoated RAL9016• cable gland: M18x1,5 brass chromed acc. to VG 88773 and VG88812• luminous colour: 4000 k• luminous flux: approx. 3.700 lm• continuous output: up to 50.000 hrs (manufacturer's data)• input voltage: 230V // 50/60 Hz• beam angle: 240° (angle design)• ambient temperature: -30°C to 40°C• ballast integrated within casing• Prepared for DALI control system• low energy consumption• Dose attaches great importance to the thermal management in lighting, so the LED-modules can operate under the critical temperature level and that they can deliver their full performance throughout their whole durability."

Spare Parts on request

Other voltage and frequency on request.

Stainless steel casing on request and against extra costs





Spica

NEW
Lightweight and scratchproof surface desing with reflection effect

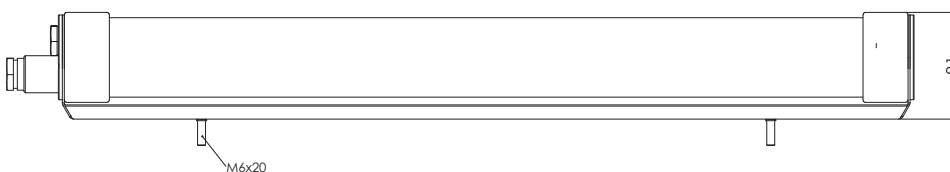
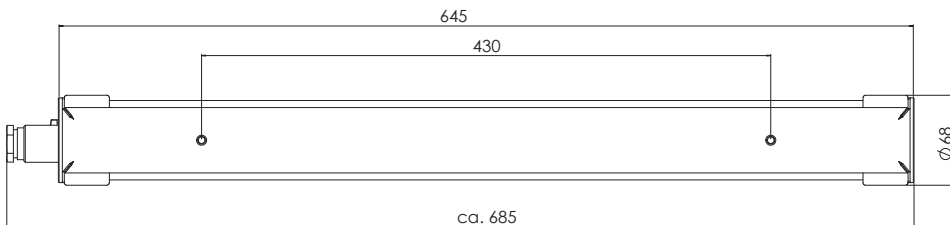
Technical Data

Name & No.	Watt		Description
Spica	25W	1,60	<ul style="list-style-type: none"> • IP 56 • casing made of Steel / polypropylene / polymethylmethacrylate • casing additional powdercoated RAL9016 • cable gland: M18x1,5 brass chromed acc. to VG 88773 and VG88812 • luminous colour: 4000K • luminous flux: approx. 3.700 lm • continuous output: up to 50.000 hrs (manufacturer's data) • input voltage: 230V // 50/60 Hz • beam angle: 240° (angle design) • ambient temperature: -30°C to 40°C • ballast integrated within casing • Prepared for DALI control system • low energy consumption • Dose attaches great importance to the thermal management in lighting, so the LED-modules can operate under the critical temperature level and that they can deliver their full performance throughout their whole durability.

Spare Parts on request

Other voltage and frequency on request.

Stainless steel casing on request and against extra costs



Alterations and technical developments reserved.



NEW SERIESSuitable for use in
under-water locations

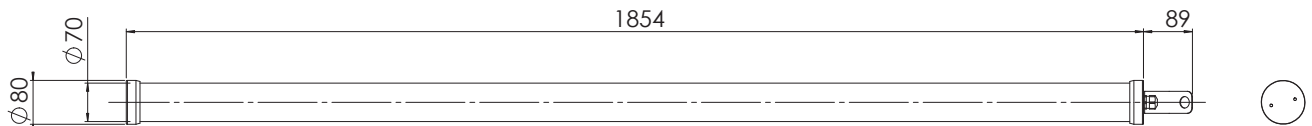
Hydra LED TL 185

Technical Data

Name & No.	Watt	kg	Description
Hydra LED TL 185	110W	8,20	<ul style="list-style-type: none"> • IP 68 • casing made polymethyl methacrylate (acrylic glass) • cable gland: M18x1,5 brass chromed acc. to VG 88773 and VG88812 • cables and glands for drinking water sector • luminous colour: 4000K • luminous flux: approx. 17.600 lm (approx. 2.200 lm/LED) • continuous output: up to 50.000 hrs (manufacturer's data) • input voltage: 230V // 50/60 Hz • beam angle: 360° • ambient temperature: -30°C to 30°C • external casing parts in according to KTW guideline • stainless steel rope in V4A Quality • low energy consumption • Dose attaches great importance to the thermal management in lighting, so the LED-modules can operate under the critical temperature level and that they can deliver their full performance throughout their whole durability.

Spare Parts on request

Other voltage and frequency on request.





NEW SERIES
Suitable for use in
under-water locations



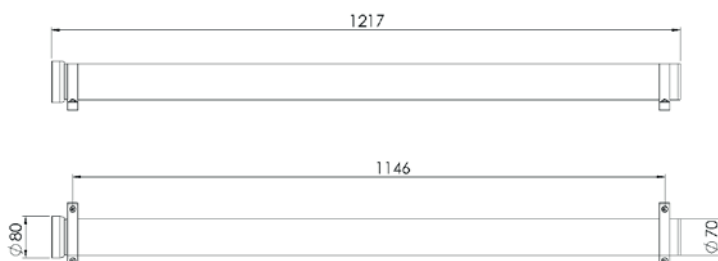
Hydra UL 120

Technical Data

Name & No.	Watt	kg	Description
Hydra LED UL 120	65	2,60	<ul style="list-style-type: none"> • IP 68 • casing made polymethyl methacrylate (acrylic glass) • cable gland: M18x1,5 brass chromed acc. to VG 88773 and VG88812 • cables and glands for drinking water sector • luminous colour: 4000K • luminous flux: approx. 7.500 lm (approx. 4.400 lm/LED) • continuous output: up to 50.000 hrs (manufacturer's data) • input voltage: 230V // 50/60 Hz • beam angle: 120° • ambient temperature: -30°C to 30°C • suitable for wall mounting • low energy consumption • Dose attaches great importance to the thermal management in lighting, so the LED-modules can operate under the critical temperature level and that they can deliver their full performance throughout their whole durability.

Spare Parts on request

Other voltage and frequency on request.



Heka
LED 131Heka
LED Kit**Technical Data**

Name & No.	Diagram	Wattage	kg	Description
Heka LED 131	O-	8W	0,70	<ul style="list-style-type: none"> • IP 56 • standard light with one integrated High Voltage/Mid Power LED module and specially developed globe of polycarbonate • brass casing, clear polycarbonate structured globe • cable gland: M24 x 1.5 • voltage: 230V, 115V or 24V DC • luminous flux: approx. 800 lm (comparison: bulb 60W approx. 700 lm) • beam angle: 120° • high colour rendering index of 85 CRI • also available as a change kit for backfitting the existing lamps without demounting
Heka LED 131/2	O=		0,80	
Heka LED 131/D	-O-		0,80	
Heka LED Kit		8W	0,22	<ul style="list-style-type: none"> • change kit from Heka 131 to Heka LED 131: exchange in used lights without changing possible • voltage: 230V, 115V or 24V DC • consisting of: one High Voltage/Mid Power LED module, structured globe and mounting material
				Your Advantages:
				<ul style="list-style-type: none"> • no power supply necessary • low heat development • better optical light output ratio against lights with 60W bulbs • exchange with existing lamps without changes: same mounting points and measurements with conventionally Heka 131 • long durability of LED • space-saving

Spare Parts

No.	Description
1200434	LED application 115V
1200415	LED application 230V
1200734	clear structured globe
1213113	Heka change kit LED 115V
1213114	Heka change kit LED 230V

Polished products available for an extra charge.

Also available with red or green globe, supplement charge.

Small Standard Lights and modification Kit with LED Technology

ENERGY
management



Minor
LED Kit 569



Minor
LED Kit 568



Minor
LED 568

polished version



Minor
LED 569

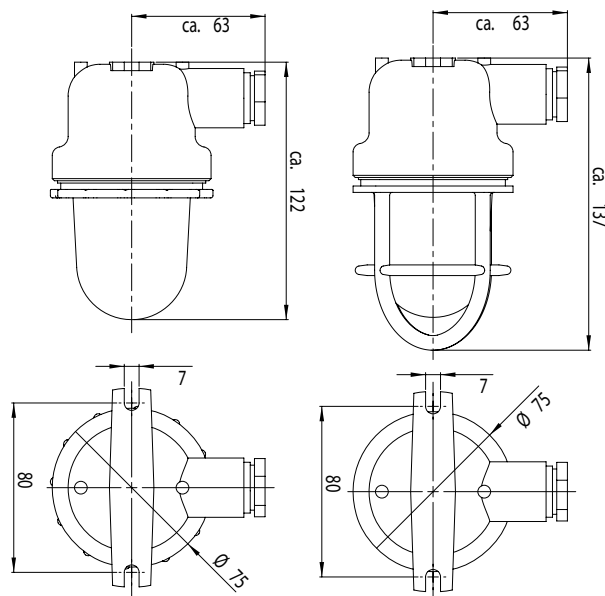
polished version

Technical Data

Name & No.	Diagram	Wattage	kg	Description
Minor LED 568	O-	4,4W	0,63	<ul style="list-style-type: none"> • IP 56 • brass casing, cylindrical glass matt, sandblasted inside • cable gland: M24 x 1.5 • 1 High Voltage/Mid Power LED module • light colour: 5.600K (cool white) • beam angle: approx. 120° • ambient temperature: -40°C to max. +45°C • voltage: 230V, 115V or 24V DC • luminous flux: approx. 400 lm (comparison: bulb 25W approx. 220 lm) • light intensity: approx. 60 lx (comparison: bulb 25W approx. 18 lx) • no power supply necessary, optimized thermal management • durability up to 50.000 hours (manufacturer's data) depends on operating temperature
Minor LED 568/2	O=		0,70	
Minor LED 568/D	-O-		0,70	
Minor LED 569	O-	4,4W	0,77	<ul style="list-style-type: none"> • as above • with brass guard
Minor LED 569/2	O=		0,84	
Minor LED 569/D	-O-		0,84	
Minor LED Kit		4,4W	0,22	<ul style="list-style-type: none"> • change kit from Minor 568 / 569 to Minor LED 568 / 569: exchange in used lights without changing possible • consisting of: 1 High Voltage/Mid Power LED-Modul, structured globe and mounting material • voltage: 230V, 115V or 24V DC

Minor
LED 568

Minor
LED 569



Spare Parts

No.	kg	Description
398 matt	0,11	cylindrical glass matt, sandblasted inside 64 x 73 mm
435	0,20	brass guard M70 x 2 mm

Polished products available for an extra charge.

Also available in red, blue, green and yellow, supplement charge.

Alterations and technical developments reserved.



NEW

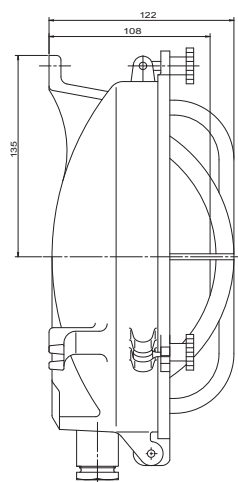
Pegasus LED Kit



polished version

Technical Data

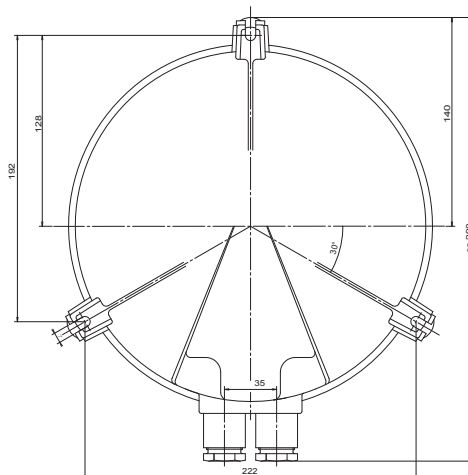
Name & No.	Diagram	Wattage	kg	Description
Pegasus LED 105	O-	13W or 17W	4,50	<ul style="list-style-type: none"> • IP 56 • flat-type ceiling light with one integrated High Voltage/Mid Power LED module • brass casing and guard, clear glass bowl • cable gland: M24 x 1.5 • voltage: 230V, 115V or 24V DC • louninous flux: 13W: approx. 1.200 lm, 17W: approx. 1.600 lm • beam angle: approx. 160° • ambient temperature: -40° to +45° C • light colour: 6800K (cool white) • no power supply necessary, optimized thermal management • durability: up to 50.000 hours (manufacturer's data) depends on operating temperature
Pegasus LED 105/2	O=		4,60	
Pegasus LED Kit		13W or 17W	0,26	<ul style="list-style-type: none"> • change kit from Pegasus 105 to Pegasus LED 105: exchange in used lights without changing possible • consisting of: 1 High Voltage/Mid Power LED module, structured globe and mounting material • voltage: 230V, 115V or 24V DC



Spare Parts

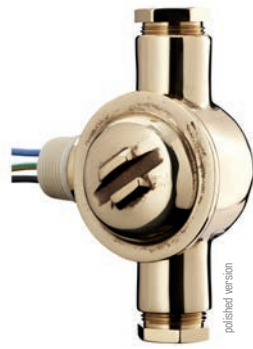
No.	kg	Description
402	0,50	glass bowl 200x38mm

Polished products available for an extra charge.



ENERGY
management


polished version

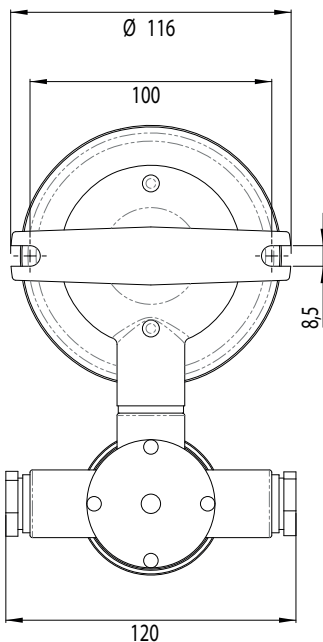
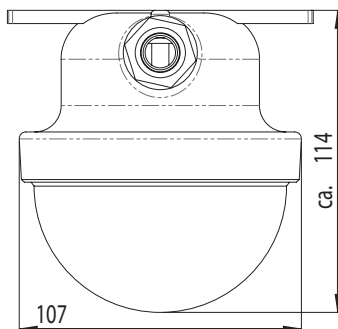
Gadeiros
LED 131

polished version

Taurus 232/D



Subject to change without prior notice.

Gadeiros
LED Kit

Technical Data

Name & No.	Diagram	Wattage	kg	Description
Gadeiros LED 131	O-	8W	0,70	<ul style="list-style-type: none"> • IP 56 • standard light with one integrated High Voltage/Mid Power LED module and specially developed globe of polycarbonate • brass casing, clear polycarbonate structured globe • cable gland: M24 x 1.5 • voltage: 230V, 115V or 24V DC • with branching box • luminous flux: approx. 800 lm • beam angle: 120° • high colour rendering index of 85 CRI • also available as a change kit for backfitting the existing lamps without demounting
Gadeiros LED 131/2	O=		0,80	
Gadeiros LED 131/D	-O-		0,80	
Gadeiros LED Kit		8W	0,22	<ul style="list-style-type: none"> • change kit from Gadeiros 131 to Gadeiros LED 131: exchange in used lights without changing possible • voltage: 230V, 115V or 24V DC • consisting of: one High Voltage/Mid Power LED module, structured globe and mounting material
				Your Advantages:
				<ul style="list-style-type: none"> • no power supply necessary • low heat development • better optical light output ratio against lights with 60W bulbs • exchange with existing lamps without changes: same mounting points and measurements with conventionally Gadeiros 131 • long durability of LED • space-saving • vibration proof • EMC tested

Spare Parts

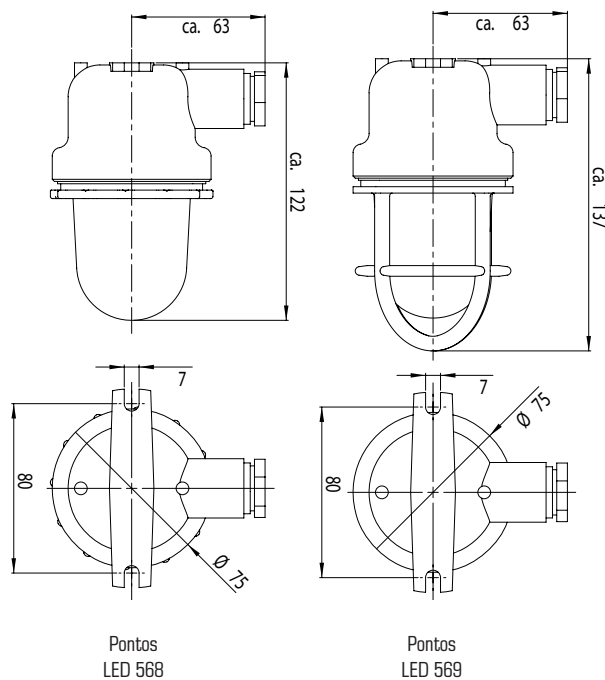
No.	Description
1200434	LED application 115V
1200415	LED application 230V
1200734	clear structured globe
8213101	Gadeiros LED change kit LED 115V
8213102	Gadeiros LED change kit LED 230V

Polished products available for an extra charge.



Technical Data

Name & No.	Diagram	Wattage	kg	Description
Pontos LED 568/VG	O-	4,4W	0,63	<ul style="list-style-type: none"> • IP 56 • small standard light acc. to VG 88810 • brass casing, matt cylindrical glass • cable gland: M24x1.5 acc. to VG 88812 • 1 High Voltage/Mid Power LED module • light colour: 5.600K (cool white) • beam angle: approx. 120° • ambient temperature: -40°C to max. +45°C • voltage: 230V, 115V oder 24V DC • luminous flux: approx. 400 lm (comparison: bulb 25W approx. 220 lm) • light intensity: approx. 60 lx (comparison: bulb 25W approx. 18 lx) • no power supply necessary, optimized thermal management • durability up to 50.000 hours (manufacturer's data)
Pontos LED 568/2/VG	O=		0,70	
Pontos LED 568/D/VG	-O-		0,70	
Pontos LED 569/VG	O-	4,4W	0,77	<ul style="list-style-type: none"> • as above • with brass guard
Pontos LED 569/2/VG	O=		0,84	
Pontos LED 569/D/VG	-O-		0,84	
Pontos LED Kit		4,4W	0,22	<ul style="list-style-type: none"> • change kit from Pontos 568 / 569 to Pontos LED 568 / 569; exchange in used lights without changing possible • consisting of: 1 High Voltage/Mid Power LED-Modul, structured globe and mounting material • voltage: 230V, 115V oder 24V DC



Spare Parts

No.	kg	Description
398 matt	0,11	cylindrical glass matt 64x73mm
435	0,20	brass guard M70
1256810	0,22	Pontos LED change kit 230V
8256911	0,22	Pontos LED change kit 115V

Polished products available for an extra charge.

Alterations and technical developments reserved.

Ahto Navy Application

Ceiling Lights and modification Kit with LED Technology



Ahto LED 131 KBL

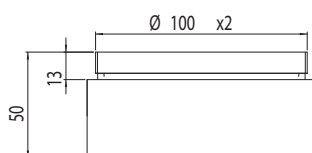
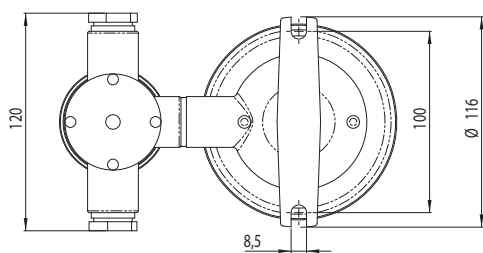
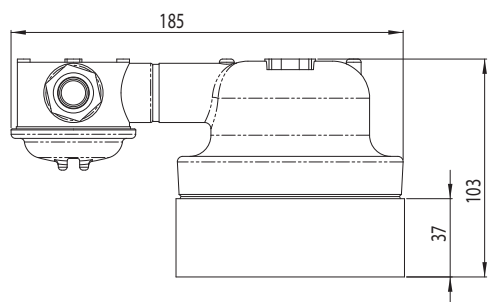


polished version



Ahto LED Kit

Subject to change without prior notice.



Technical Data

Name & No.	Diagram	Wattage	kg	Description
Ahto LED 131 KBL	O-	8W	1,10	<ul style="list-style-type: none"> IP 56 ceiling light with one integrated High Voltage/Mid Power LED module
Ahto LED 131-2 KBL	O=		1,20	<ul style="list-style-type: none"> brass casing, clear plastic pane cable gland: M24 x 1.5 with conical screen
Ahto LED 131-D KBL	-O-		1,20	<ul style="list-style-type: none"> with branching box voltage: 230V, 115V or 24V DC high colour rendering index of 85 CRI also available as a change kit for backfitting the existing lamps without demounting
Ahto LED Kit		8W	0,30	<ul style="list-style-type: none"> change kit from Ahto 131 to Ahto LED 131: exchange in used lights without changing possible voltage: 230V, 115V or 24V DC consisting of: one High Voltage/Mid Power LED module, conical screen with plastic pane and mounting material
Your Advantages:				
<ul style="list-style-type: none"> no power supply necessary low heat development better optical light output ratio against lights with 60W bulbs exchange with existing lamps without changes: same mounting points and measurements with conventionally Ahto 131 KBL long durability of LED space-saving vibration proof EMC tested 				

Spare Parts

No.	kg	Description
1200412	0,11	clear plastic pane
9201781		LED module 230V
9201886		LED module 115V
1200412	0,30	Ahto LED change kit LED 115V
8113116	0,30	Ahto LED change kit LED 230V

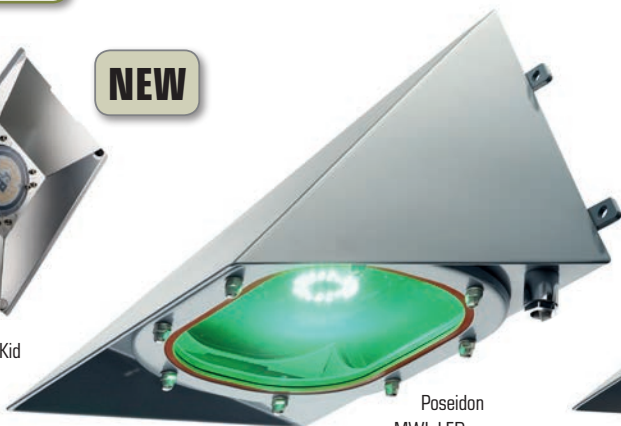
Polished products available for an extra charge.

Alterations and technical developments reserved.

ENERGY
management



NEW



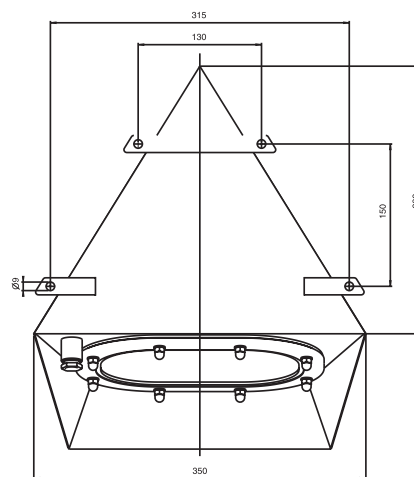
Poseidon MWL LED green



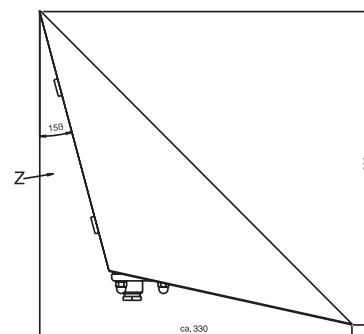
Poseidon MWL LED white

Technical Data

Name & Nr.	Watt	kg	Beschreibung
Poseidon MWL831 LED weiß	13W	4,40	<ul style="list-style-type: none"> • IP 56 • casing, glass-holding frame, latches and brackets made out of stainless steel • casing powdercoated (RAL 7001), clear hard glass pane, resistant against temperature changes • radar optimized • optional cable glands acc. VG, DIN 89280 (max. IP56) or with CVKS cable glands (IP68) • special wall mounting design for walls with 15° incline, also available with 0° and 10° • light colour: 4000K • 1 x AC LED module, white • approx. 1.600 lm • LED modules available for 230V and 110V AC (other voltage on request) • ambient temperature: -20°C to +40°C
Poseidon MWL831 LED grün	13W	4,40	<ul style="list-style-type: none"> • as MWL831 LED white • 1 x AC LED module, green (other colours on request)
Poseidon LED Kit	13W	0,90	<ul style="list-style-type: none"> • change kit from Poseidon MWL831 to Poseidon MWL831 LED: exchange in used lights without changing possible • consisting of: LED module, fitting panel, reflector and mounting material • LED Kit available for 230V und 110V (other voltage on request)



Spare Parts on request



LED

Lupus

LED Railing- and gangway light

karl-dose.com/Lupus

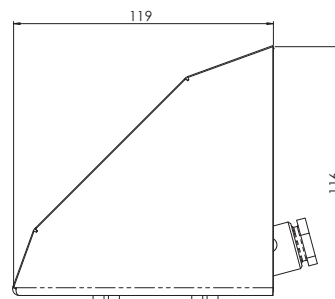
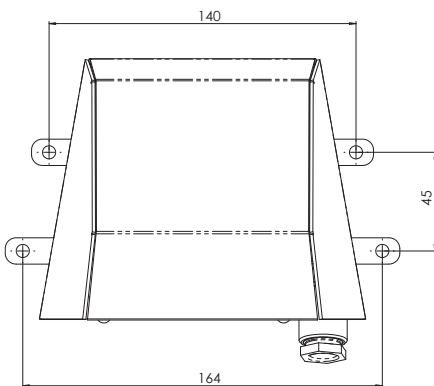
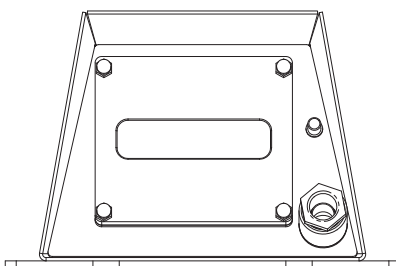


Lupus LED

NEW
Dimmable and
dazzle-free board illumination

Technical Data

Name & No.	Watt	kg	Description
Lupus LED	4W	0,50	<ul style="list-style-type: none"> • IP 67 • casing made of stainless steel • casing additional powdercoated RAL9016 • cable gland: M18x1,5 brass chromed acc. to VG 88773 and VG88812 • luminous colour: phase wavelength 110nm • luminous flux: approx. 180 lm • continuous output: up to 50.000 hrs (manufacturer's data) • input voltage: 230V // 50/60 Hz • beam angle: 60° • ambient temperature: -30°C to 40°C • low energy consumption • Dose attaches great importance to the thermal management in lighting, so the LED-modules can operate under the critical temperature level and that they can deliver their full performance throughout their whole durability.



Spare Parts on Request

Other voltage and frequency on request.
dimmmable local or central on request

Container Socket with Snap-In-Technology and Non-Metallic Flange



NEW
in our
container socket range



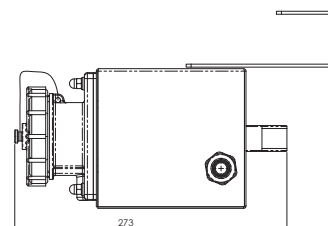
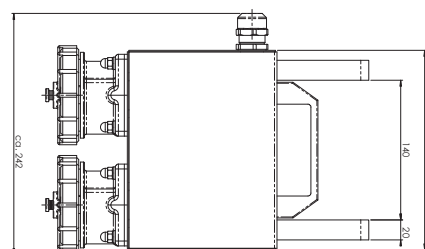
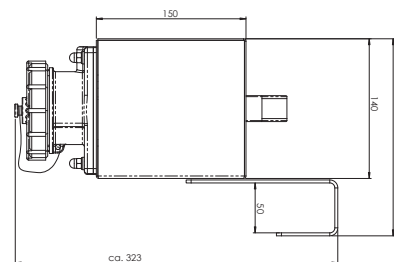
Twinny Basic



Twinny Pro / Twinny Power Selector

Technical Data

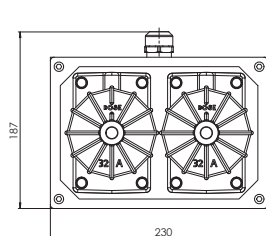
Name & No.	kg	Description
Twinny		<ul style="list-style-type: none"> • " IP 67 • extension for container sockets • 3P+PE • 2 x 32A • 380V, 400V - 440V • 50/60 Hz • flange without external elements • switch fastening with snap-in technology • no interior actuating linkage • circuit breaker: 10 kA (25 kA on request) • powder-coated on customer request • brass cable gland: M24x1,5 • 5 m connection cable with CEE plastic plug ARTEMIS 2005/P/St 32A • Certification: German Lloyd • also available with indicator LED"
Twinny BASIC	4,40	<ul style="list-style-type: none"> • aluminium housing, plastic flange • without selectivity • with specific anti-slip mat for a better grip
Twinny PRO	6,00	<ul style="list-style-type: none"> • stainless steel housing, plastic flange • with mounting bracket • without selectivity
Twinny POWER SELECTOR	6,00	<ul style="list-style-type: none"> • stainless steel housing, plastic flange • with mounting bracket • with selectivity



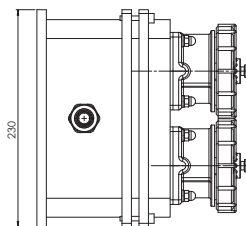
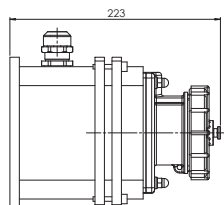
Twinny Pro / Twinny Pro Selector

Spare Parts on Request

additional with indicator-LED available



Twinny Basic



Alterations and technical developments reserved.



NEW
Faster, smarter and safer!
The new Speed+ Generation



Speed+ Technology





Technical Data

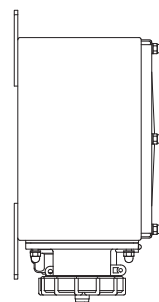
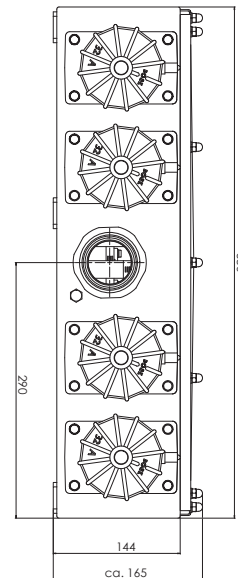
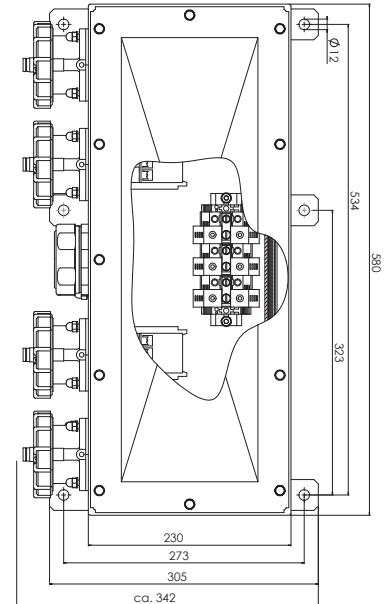
Name & No.	kg	Description
SNAPPY SPEED ⁺ CSS321K	5,7	• IP 67
SNAPPY SPEED ⁺ CSS322K	8,0	• stainless steel housing
SNAPPY SPEED ⁺ CSS323K	10,5	• plastic flange without external switching devices
SNAPPY SPEED ⁺ CSS324K	13,0	• cable gland brass M24x1,5 up to M72x2 optional
SNAPPY SPEED ⁺ CSS325K	15,0	• 3P+PE
SNAPPY SPEED ⁺ CSS326K	18,0	• 32A
SNAPPY SPEED ⁺ CSS327K	21,0	• 380, 400 - 440V
SNAPPY SPEED ⁺ CSS328K	23,2	• 50/60 Hz
SNAPPY SPEED ⁺ CSS329KD	26,5	• circuit breaker 10 kA (25 or 32kA on request)
SNAPPY SPEED ⁺ CSS320KD	29,0	• powder-coated on customer request
SNAPPY SPEED ⁺ CSS3211KD	30,5	• switch mounting with Speed ⁺ technology
SNAPPY SPEED ⁺ CSS3212KD	32,5	• no operation rods in internal space
SNAPPY SPEED ⁺ CSS323KD	11,6	• maximum safety, despite simplified connector alignment, no electric arcs thanks to "internal shut down device"
SNAPPY SPEED ⁺ CSS324KD	13,7	• automatic switching operation locking mechanism
SNAPPY SPEED ⁺ CSS325KD	16,8	• simple and fast handling by mono-linear insert control
SNAPPY SPEED ⁺ CSS326KD	19,9	• locking by turning the bayonet cap
SNAPPY SPEED ⁺ CSS327KD	22,2	• as an option, the switching state can also be displayed via optical waveguide technology
SNAPPY SPEED ⁺ CSS328KD	24,3	• switch-off process take place in the first millimeter of the lifting motion when you pull out the plug
		• lower weight
		• low space requirement

Available with brass flange.

Additional available with LED indicator.

Dimensions

Name & No.	①	②	③	④
SNAPPY SPEED ⁺ CSS321K	265mm	-	227mm	
SNAPPY SPEED ⁺ CSS322K	352mm	-	306mm	
SNAPPY SPEED ⁺ CSS323K	466mm	210mm	420mm	
SNAPPY SPEED ⁺ CSS324K	580mm	323mm	534mm	
SNAPPY SPEED ⁺ CSS325K	694mm	325mm	648mm	
SNAPPY SPEED ⁺ CSS326K	808mm	437mm	762mm	
SNAPPY SPEED ⁺ CSS329K	1220mm	644mm	1174mm	
SNAPPY SPEED ⁺ CSS323KD	536mm	190mm	490mm	
SNAPPY SPEED ⁺ CSS324KD	650mm	302mm	604mm	
SNAPPY SPEED ⁺ CSS325KD	764mm	302mm	718mm	
SNAPPY SPEED ⁺ CSS326KD	878mm	416mm	832mm	
SNAPPY SPEED ⁺ CSS327K	922mm	216mm	216mm	876mm
SNAPPY SPEED ⁺ CSS328K	1036mm	330mm	330mm	990mm
SNAPPY SPEED ⁺ CSS320K	1334mm	644mm	-	1288mm
SNAPPY SPEED ⁺ CSS3211K	1452mm	442mm	442mm	1402mm
SNAPPY SPEED ⁺ CSS3212K	1562mm	556mm	442mm	1516mm



Alterations and technical developments reserved.





Degree of Protection Against Solid Foreign Objects

First Code Number	Definition	Summary
0	-	Non-protected
1	The object probe, sphere of 50mm \varnothing , shall not fully penetrate	Protected against solid foreign objects of 50mm \varnothing and greater
2	The object probe, sphere of 12,5mm \varnothing , shall not fully penetrate	Protected against solid foreign objects of 12,5mm \varnothing and greater
3	The object probe of 2,5mm \varnothing shall not penetrate at all	Protected against solid foreign objects of 2,5mm \varnothing and greater
4	The object probe of 1,0mm \varnothing shall not penetrate at all	Protected against solid foreign objects of 1,0mm \varnothing and greater
5	Ingress of dust is not totally prevented, but dust shall not penetrate in a quantity to interfere with satisfactory operation of the apparatus or to impair safety	Dust-protected
6	No ingress of dust	Dust-tight

Degree of Protection Against Water

Second Code Number	Definition	Summary
0	-	Non-protected
1	Vertically falling drops shall have no harmful effects	Protected against vertically falling water drops
2	Vertically falling drops shall have no harmful effects when the enclosure is tilted at any angle up to 15° on either side of the vertical	Protected against vertically falling water drops when enclosure tilted up to 15°
3	Water sprayed at an angle up to 60° on either side of the vertical shall have no harmful effects	Protected against spraying water
4	Water splashed against the enclosure from any direction shall have no harmful effects	Protected against splashing water
5	Water projected in jets against the enclosure from any direction shall have no harmful effects	Protected against water jets
6	Water projected in powerful jets against the enclosure from any direction shall have no harmful effects	Protected against powerful water jets
7	Ingress of water in quantities causing harmful effects shall not be possible when the enclosure is temporarily immersed in water under standardized conditions of pressure and time	Protected against the effects of temporary immersion in water
8	Ingress of water in quantities causing harmful effects shall not be possible when the enclosure is continuously immersed in water under conditions which shall be agreed between manufacturer and user but which are more severe than for numeral 7	Protected against the effects of continuous immersion in water

example IP 54

first code number 5 = dust-protected
second code number 4 = protected against splashing water

Attention: code citation without engagement

Imprint

KARL DOSE GMBH

Försterweg 73 - 77
22525 Hamburg
Germany

P +49 (0)40 547322-0
F +49 (0)40 547322-99
sales@karl-dose.com
www.karl-dose.com

Managing Directors:
Ullrich Dose, Thorsten Marquardt

Edited by
Yvonne Meyer
Anna-Lena Doubek

District Court of Hamburg
Commercial Register: HRB40225
VAT-No.: DE 118596146

Agency by: www.gutsche.de
www.fritschpartners.de

Print by: www.printarena.de
Photos by: www.papkefoto.de

www.karl-dose.com