

LED 11
LED 13
LED 17

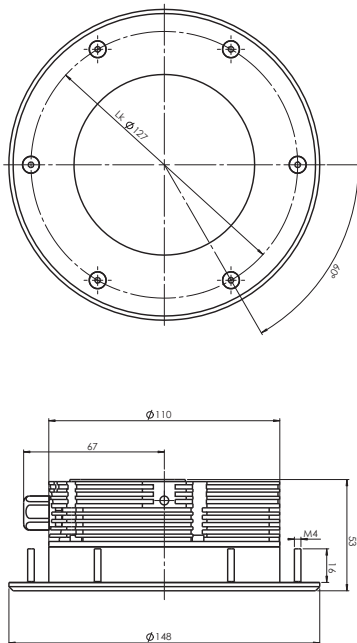
Tarandus

LED Downlights

karl-dose.com/Tarandus



Tarandus



Technical Data

Name & No.	Watt	kg	Description
Tarandus LED 11	11W	0,90	<ul style="list-style-type: none"> • IP 56 • Housing made of seawater resistant, anodised aluminum • Input voltage: 12V - 30V • 1 plate with 9 High Power LEDs • output power: approx. 140 lm/LED • luminous colour: 4000K • luminous flux: approx. 1.200 lm • beam angle: 120° • Certification: German Lloyd
Tarandus LED 13	13W	0,90	<ul style="list-style-type: none"> • IP 56 • Housing made of seawater resistant, anodised aluminum • Input voltage: 230V (120V available on request) • 1 x High Voltage/Mid Power LED module • output power: approx. 140 lm/LED • luminous colour: 4000K • luminous flux: approx. 1.200 lm • beam angle: 120° • Certification: German Lloyd
Tarandus LED 17	17W	0,90	<ul style="list-style-type: none"> • IP 56 • Housing made of seawater resistant, anodised aluminum • Input voltage: 230V (120V available on request) • 1 x High Voltage/Mid Power LED module • output power: approx. 140 lm/LED • luminous colour: 4000K • luminous flux: approx. 1.200 lm • beam angle: 120° • Certification: German Lloyd

Spare Parts on request