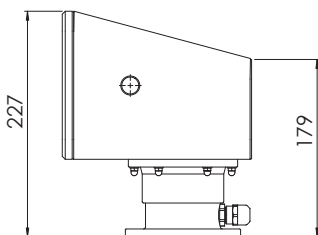
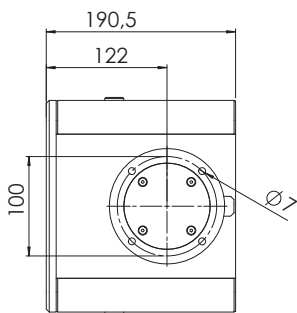
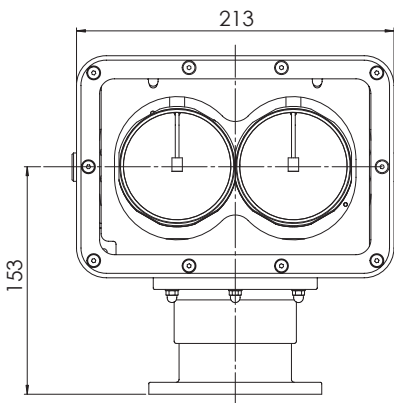




Virgo  
SS 188 LED R



### Technical Data

Name & No.	kg	Description
Virgo SS 188 LED R	6,00	<ul style="list-style-type: none"> <li>• IP 56</li> <li>• housing, crutch and base made of stainless steel, toughened soda-lime glass lens, parabolically lead coated mirror</li> <li>• all surfaces white powdercoated RAL 9016, internal surfaces are optical matt black</li> <li>• silikone gaskets</li> <li>• 2 white LED modules</li> <li>• input voltage: 12V DC (also available in 24V DC)</li> <li>• illuminated area in 100m: ø 14 m</li> <li>• luminous flux: approx. 600 lm</li> <li>• peak beam candle power: approx. 3,9 x 10<sup>5</sup> cd</li> <li>• beam angle: 8°</li> <li>• light intensity in 100m: approx. 4 lx</li> <li>• duability diode: 50.000 hours in continuous operation (manufacturer's data)</li> <li>• certification: German Lloyd</li> </ul>

### Optical Performance

Electric Voltage	Electric Power	Peak Beam Candle Power	Range M 1 Lux	Beam Angle
12V DC	7W	3,9 x 10 <sup>5</sup> cd	280 m	8°

### Variations

Mounting Variations	Name	Description
Deck	D	• manual operation of searchlight
Cabin	C	• manual operation from below by control mechanism
Remote Control	R	• searchlight mounted on electric remote control unit complete with joystick, control panel for flush console installation
Pedestal	P	• searchlight on pedestal 1m high, special heights on request

### Spare Parts on request