

Installation instruction RFCS Cabinet Seal

Read the whole instruction before installation.

Cutout Pattern in Cabinet

RFCS 10

Cutout dimension

Height x Width in mm

55 x 145 (Tolerance +/- 1 mm)

Mounting Holes Center distance.

Height x Width in mm

62 x 172 (Tolerance +/- 0.5mm)

Dia of mounting holes 4 nos, 9.0 mm



RFCS 20

Cutout dimension

Height x Width in mm

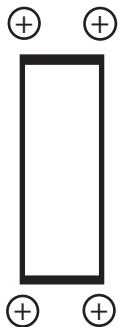
100 x 145 (Tolerance +/-1 mm)

Mounting Holes Center distance.

Height x Width in mm

110 x 172 (Tolerance +/-0.5mm)

Dia of mounting holes 4 nos, 9.0 mm



RFCS 12

Cutout dimension FL21

Height x Width in mm

55 x 165 (Tolerance +/- 1 mm)

Mounting Holes Center distance.

Height x Width in mm

62 x 192 (Tolerance +/- 0.5mm)

Dia of mounting holes 4 nos, 9.0 mm



RFCS 24

Cutout dimension

Height x Width in mm

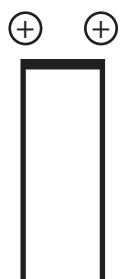
100 x 165 (Tolerance +/-1 mm)

Mounting Holes Center distance.

Height x Width in mm

110 x 192 (Tolerance +/- 0.5mm)

Dia of mounting holes 4 nos, 9.0 mm



RFCS 16

Cutout dimension

Height x Width in mm

55 x 205 (Tolerance +/- 1 mm)

Mounting Holes Center distance.

Height x Width in mm

62 x 232 (Tolerance +/- 0.5mm)

Dia of mounting holes 4 nos, 9.0 mm



RFCS 32

Cutout dimension

Height x Width in mm

100 x 205 (Tolerance +/- 1 mm)

Mounting Holes Center distance.

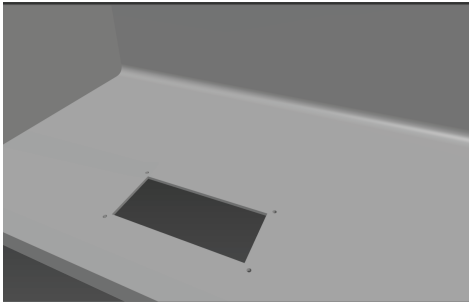
Height x Width in mm

110 x 232 (Tolerance +/- 0.5mm)

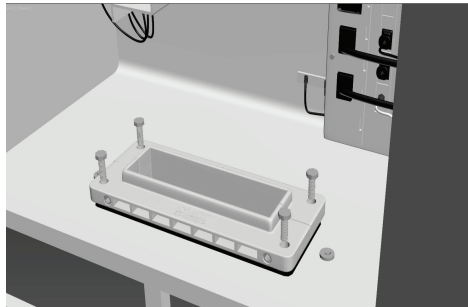
Dia of mounting holes 4 nos, 9.0 mm



Read the whole instruction before installation.



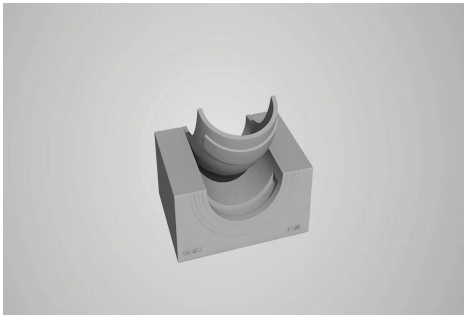
1. Start the installation by ensuring that the cutout made in cabinet correspond to the cutout pattern in the installation manual.



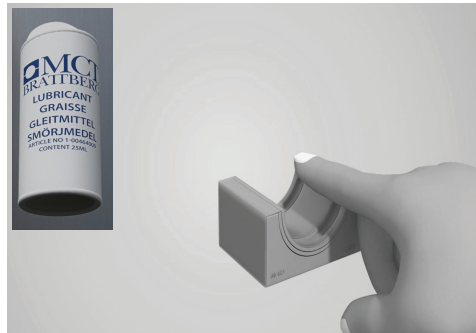
2. Install the frame and gasket directly on the cabinet cutout before installing the cables.



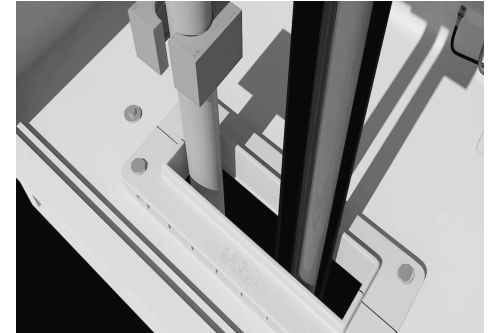
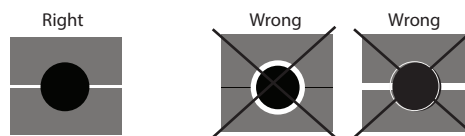
3. Use the cable selector to find the exact diameter of cable by wrapping around the circumference of cable.



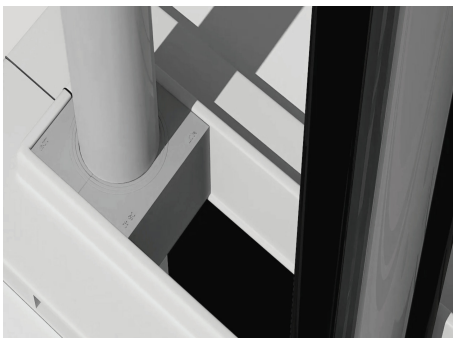
4. Peel off layer from CS module until correct cable diameter range is readable on each module half. If required, peel off an extra layer on one of the module half to get a perfect fit against the cable, see "right and wrong" image to the right.



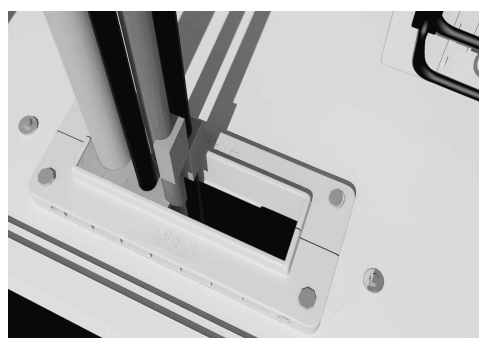
5. Lubricate carefully the inner and outer edges of the prepared CS module together with PTG 40 wedge and inner edge of the frame.



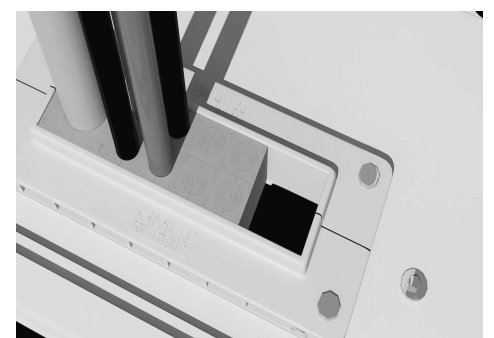
6. Install the cable within the prepared halves of CS module.



7. Install the CS module together with cable from the front until the module rests against the back wall of the frame.

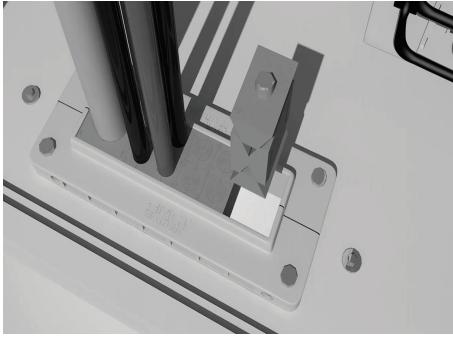


8. Repeat procedure with remaining cables.

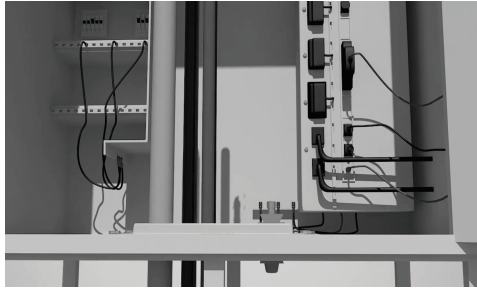


9. Fill remaining space with unprepared modules.

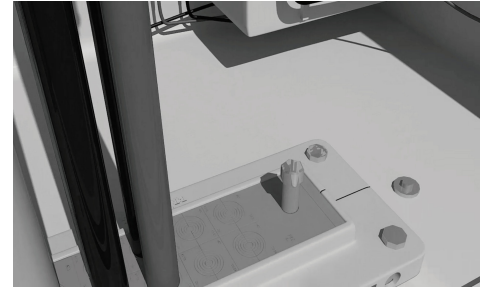
Read the whole instruction before installation.



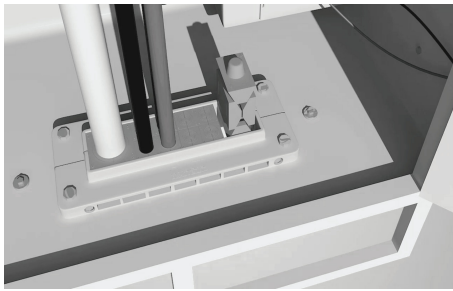
10. Finally insert the PTG 40 wedge.



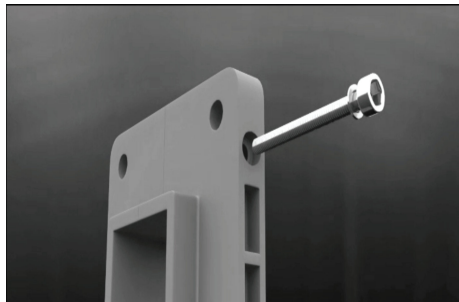
11-12. Tighten the PTG 40 wedge until it is almost even with the frame surface to obtain IP 65/67 rating.



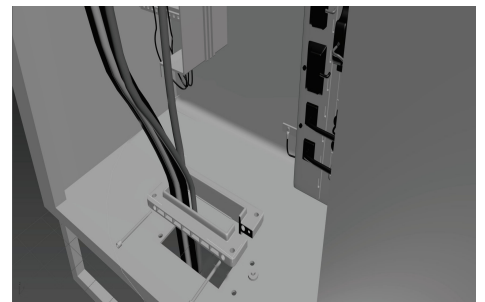
Preterminated cables



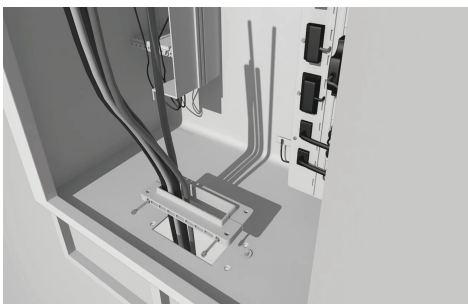
13. PTG 40 wedge can be inserted from both sides of the frame depending on access or client specification.



14. In case of preterminated cables open the RFCS frame in two halves by unscrewing the bolts from the sides.



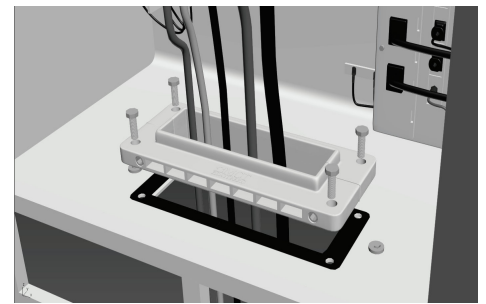
15. Install the preterminated cables between the two halves of RFCS frame.



16. Screw together the two halves with middle gasket fixed on one half of the RFCS frame.



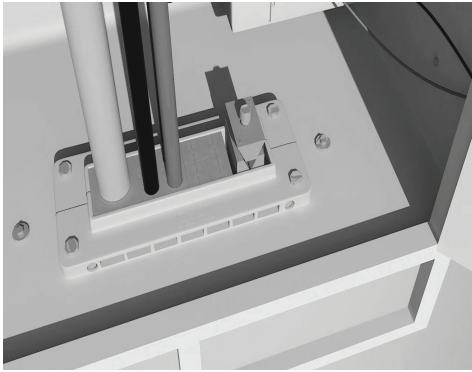
17. Install all preterminated cables after making an angular cut in the gasket and secure the gasket on cabinet cut out.



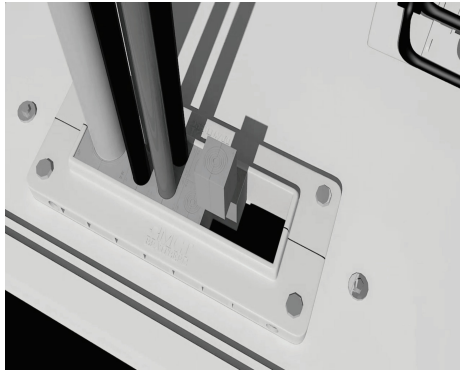
18. Fix the RFCS frame together with back gasket on the cabinet cutout by tightening with mounting hardware.

Complete the installation as shown from picture 3.

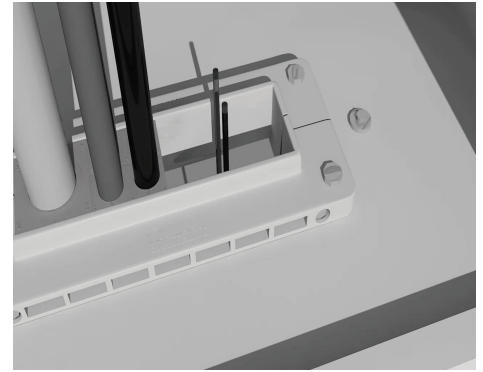
Re-installation



19. For reinstallation remove the PTG 40 wedge.



20. Remove all the unprepared CS modules from the frame.



21. Install the new cables and complete the installation as shown from picture 3.

MCT Brattberg AB
SE-371 92 Kariskrona
Sweden
Phone: +46-455 37 52 00
Fax: +46-455 37 52 90
E-mail: info@mctbrattberg.se
Website: www.mctbrattberg.se

MCT Brattberg Ltd
Commerce Street
Carrs Industrial Estate Haslingden
Lancashire BB4 5JT
England
Tel: +44_170 624 4890
Fax: +44_170 624 4891
E-mail: info@mctbrattberg.co.uk

MCT Brattberg/CMUS Houston
3332 Spring Stuebner Rd
Suite E, Spring TX77389
USA
Phone: +1(281) 355 8191
E-mail: info@mctbrattberginc.com

MCT/CMUS Florida
Consilium Marine Us Inc
4370 Oakes Road 721
FL 33314
USA
Phone: +1(954) 453 1286
E-mail: info@consiliummarineus.com

MCT Brattberg India Pvt. Ltd.
40/56,LGF
CR Park,New Delhi-110019
India
Phone: +91 11 49059872
E-mail: info@mctbrattberg.in