

RGB and RGG

RGBO AND RGGO WITH REMOVABLE END

RGB is MCT Brattbergs standard frame for casting into concrete. RGB comes in four different sizes, in varying height and designates RGB-2, RGB-4, RGB-6 and RGB-8. The width dimension is always the same, 120 mm as, well as the depth 60 mm. The frame profiles width are 60 mm and the thickness of the material is 6 mm.

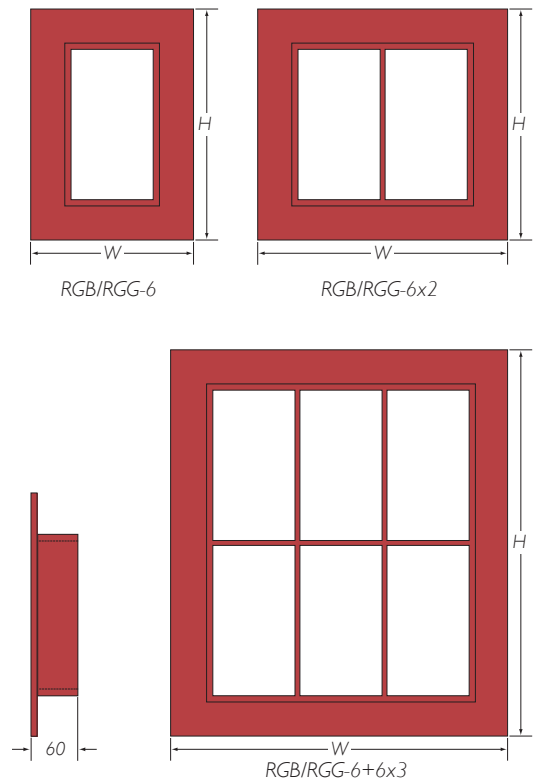
The RGG frame has a standard size flange and pre-drilled holes. The frame is screwed. When mounting through thick walls or floors, the RGG frame can be used together with a pre-drill counterstos to protect edges and keep any insulation in place. RGG has the same dimensions as RGB. The counterstos is available in three different depths to suit different wall thicknesses, see table on page 27.

For installations where cable and / or pipes are already drawn, RGGO is used with openable end.



Size in mm								
FRAME SIZE	H	W (width) Combination frames						
	(height)	x 1	x 2	x 3	x 4	x 5	x 6	x n
RGB/RGG-2	221	240.5	371	501.5	632	762.5	893	W = 110+
RGB/RGG-4	279.5	- " -	- " -	- " -	- " -	- " -	- " -	130.5 x n
RGB/RGG-6	338	- " -	- " -	- " -	- " -	- " -	- " -	
RGB/RGG-8	396.5	- " -	- " -	- " -	- " -	- " -	- " -	
RGB/RGG-2+2	332	- " -	- " -	- " -	- " -	- " -	- " -	
RGB/RGG-2+4	390.5	- " -	- " -	- " -	- " -	- " -	- " -	
RGB/RGG-2+6	449	- " -	- " -	- " -	- " -	- " -	- " -	
RGB/RGG-2+8	507.5	- " -	- " -	- " -	- " -	- " -	- " -	
RGB/RGG-4+4	449	- " -	- " -	- " -	- " -	- " -	- " -	
RGB/RGG-4+6	507.5	- " -	- " -	- " -	- " -	- " -	- " -	
RGB/RGG-4+8	566	- " -	- " -	- " -	- " -	- " -	- " -	
RGB/RGG-6+6	566	- " -	- " -	- " -	- " -	- " -	- " -	
RGB/RGG-6+8	624.5	- " -	- " -	- " -	- " -	- " -	- " -	
RGB/RGG-8+8	683	- " -	- " -	- " -	- " -	- " -	- " -	

n = number of frames in width.
 Tolerances single frame: 3.5 mm.
 Thickness of material 6 mm except for internal horizontal and vertical walls in combination frames such as 10 mm.



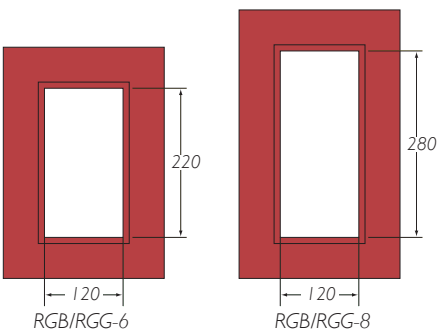
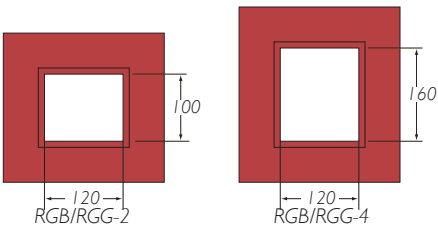
Information about combination frames can be found on page 11.



RGG

RGGO

Standard frames in four different sizes: 2, 4, 6 and 8 which mark different heights. All have the same width. See below.



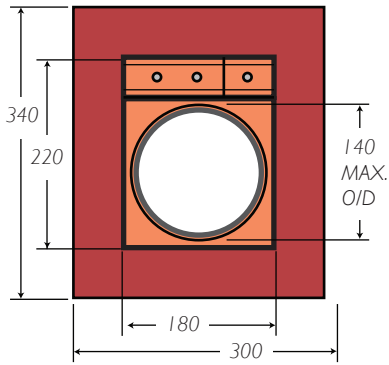
Weight chart in kilograms

Weight in kilograms

MATERIAL	FRAME SIZE	W (width) Combination frames						
		x 1	x 2	x 3	x 4	x 5	x 6	
STEEL	RGB/RGG-2	3.1	5.0	6.9	8.8	10.7	12.6	
	RGB/RGG-4	3.8	5.9	8.1	10.2	12.4	14.6	
	RGB/RGG-6	4.4	6.8	9.2	11.5	13.8	16.3	
	RGB/RGG-8	5.0	7.7	10.4	13.1	15.8	18.5	
	SS EN 10025-S235JR2	RGB/RGG-2+2	5.0	7.9	10.9	13.9	16.8	19.8
		RGB/RGG-2+4	5.6	9.0	12.4	15.7	19.1	22.4
	DIN RST 37-2	RGB/RGG-2+6	6.2	9.9	13.6	17.3	21.0	24.7
		RGB/RGG-2+8	6.9	11.0	15.1	19.2	23.3	27.4
	BS 4360 gr. 40	RGB/RGG-4+4	6.2	9.9	13.6	17.3	21.0	24.7
		RGB/RGG-4+6	6.9	11.0	15.1	19.2	23.3	27.4
	NS 17100	RGB/RGG-4+8	7.4	11.8	16.2	20.6	25.0	29.4
		RGB/RGG-6+6	7.4	11.8	16.2	20.6	25.0	29.4
		RGB/RGG-6+8	8.1	13.0	17.9	22.7	27.6	32.4
		RGB/RGG-8+8	8.9	14.2	19.5	24.9	30.2	35.5
STAINLESS STEEL	RGB/RGG-2	3.2	5.1	7.1	9.0	11.0	12.9	
	RGB/RGG-4	3.9	6.1	8.3	10.5	12.7	14.9	
	RGB/RGG-6	4.5	6.9	9.4	11.8	14.2	16.7	
	RGB/RGG-8	5.2	7.9	10.7	13.5	16.2	19.0	
	DIN 1,4404	RGB/RGG-2+2	5.1	8.1	11.2	14.2	17.2	20.3
		RGB/RGG-2+4	5.8	9.2	12.7	16.1	19.6	23.0
	ASTM/316 L	RGB/RGG-2+6	6.3	10.1	13.9	17.8	21.6	25.4
		RGB/RGG-2+8	7.1	11.3	15.5	19.7	23.9	28.1
	AiSi 316 L	RGB/RGG-4+4	6.3	10.1	13.9	17.8	21.6	25.4
		RGB/RGG-4+6	7.1	11.3	15.5	19.7	23.9	28.1
	BS 970 gr. 316 S11	RGB/RGG-4+8	7.6	12.1	16.6	21.1	25.6	30.1
		RGB/RGG-6+6	7.6	12.1	16.6	21.1	25.6	30.1
	NS 14450	RGB/RGG-6+8	8.4	13.3	18.3	23.3	28.3	33.3
		RGB/RGG-8+8	9.1	14.6	20.0	25.5	31.0	36.4
ALUMINIUM	RGB/RGG-2	1.1	1.8	2.5	3.1	3.8	4.4	
	RGB/RGG-4	1.4	2.1	2.9	3.6	4.4	5.1	
	RGB/RGG-6	1.6	2.4	3.2	4.1	4.9	5.7	
	RGB/RGG-8	1.8	2.7	3.7	4.6	5.6	6.5	
	EN AW6082	RGB/RGG-2+2	1.8	2.8	3.9	4.9	5.9	7.0
		RGB/RGG-2+4	2.0	3.2	4.4	5.5	6.7	7.9
	DIN ALMG SI I	RGB/RGG-2+6	2.2	3.5	4.8	6.1	7.4	8.7
		RGB/RGG-2+8	2.4	3.9	5.3	6.7	8.2	9.6
	A 6082	RGB/RGG-4+4	2.2	3.5	4.8	6.1	7.4	8.7
		RGB/RGG-4+6	2.4	3.9	5.3	6.7	8.2	9.6
	BS H30/6082 TF	RGB/RGG-4+8	2.6	4.2	5.7	7.2	8.8	10.3
		RGB/RGG-6+6	2.6	4.2	5.7	7.2	8.8	10.3
	NS 17305	RGB/RGG-6+8	2.9	4.6	6.3	8.0	9.7	11.4
		RGB/RGG-8+8	3.2	5.0	6.9	8.7	10.6	12.5

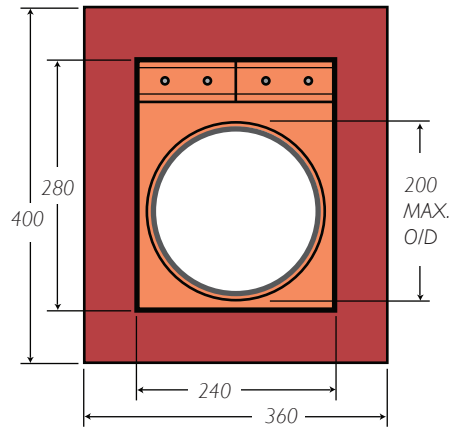
RGB and RRGB, RGG and RGGO

PIPE TRANSITS



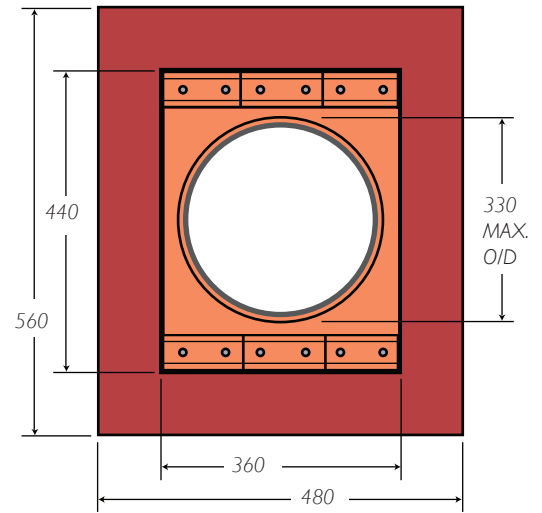
Transit
RGB/RGG-180
RRGBO/RGGO-180

Compression
PTG 60 + 120



Transit
RGB/RGG-240
RRGBO/RGGO-240

Compression
2 x PTG - 120

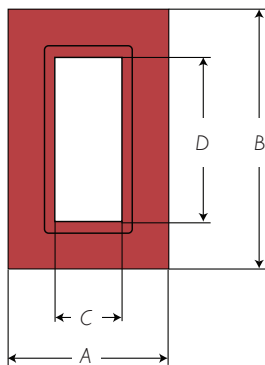


Transit
RGB/RGG-360
RRGBO/RGGO-360

Compression
6 x PTG - 120

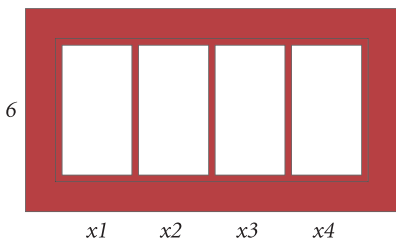
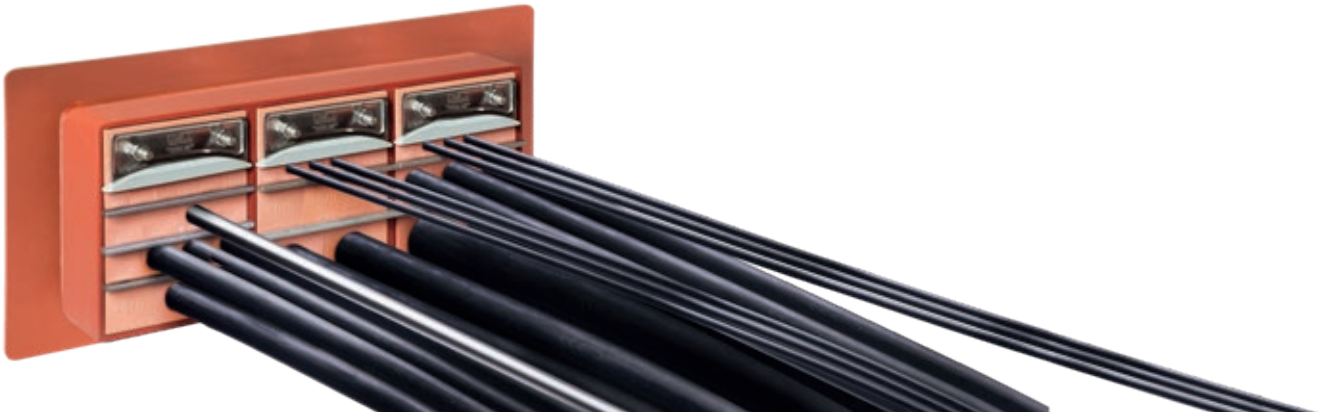
RGB and RGG-1, 3, 5 & 7

EXTRA SMALL WIDTH

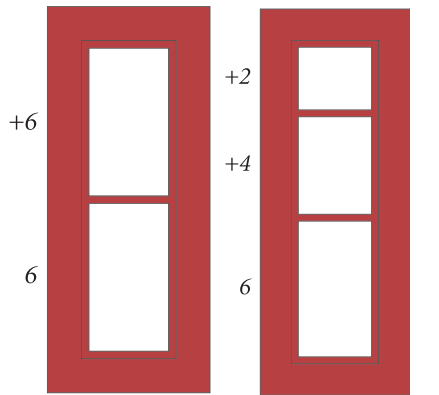


Frames size	Dimensions			
	A	B	C	D
RGB/RGG-1	180	221	60	100
RGB/RGG-3	180	279,5	60	160
RGB/RGG-5	180	338	60	220
RGB/RGG-7	180	396,5	60	280

Multiple Frames



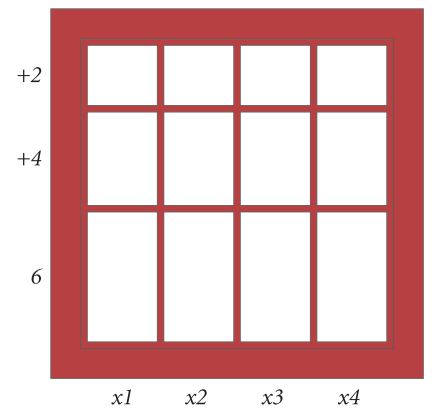
Designation: (frame type) 6x4



(frame type) 6+6

(frame type) 6+4+2

Designation (starting at bottom):



(frame type) 6+4+2x4

Designation (starting at bottom):

NOTE: All multiple frame designations must be preceded by the frame type

HORIZONTAL MULTIPLE FRAMES

Horizontal multiple frames are described by listing the frame type and size x the desired number of horizontal openings.

VERTICAL MULTIPLE FRAMES

Vertical multiple frames are described by listing the bottom frame type and size + the next frame type and size.

VERTICAL AND HORIZONTAL MULTIPLE FRAMES

List the entire vertical frames x the desired number of horizontal repetitions.