

X.F Range

Floodlight



- Compact, lightweight and robust
- EExe integral junction box: easy connection
- Excellent photometric properties, wide or narrow beam
- Internationally recognised

TYPICAL APPLICATIONS

- ▶ Petrochemical plants
- ▶ Marine (vessels type LNG/FPSO)
- ▶ Drilling rigs
- ▶ Lighting of roadways
- ▶ Lighting of petroleum storage areas

Product characteristics

- Corrosion-proof aluminium alloy body
- Toughened glass front plate
- Integral control gear
- Wide choice of lamps (HPS, MH, halogen)
- Lamp(s) installed
- Power supply 230V 50Hz (for alternatives, see options) – 24V for halogen H3
- One x M20 nickel chromed cable gland
- One nickel chromed glass M20 plug
- Fixing by flat mounting bracket

CERTIFICATION STANDARD: CENELEC EN 50014, 50018, 50019

ECTYPE EXAMINATION CERTIFICATE under the new directive 94/9/EC of 23/03/94:
LCIE 00 ATEX 6019X

Ex II 2G

EExde IIB T5 to T1 (depending on model)

Ingress protection: IP66

Shock resistance: IK09 10 Joules

Zone 1 + zone 2 Ex "d" Flameproof



Technical specifications

Enclosure

Marine grade aluminium alloy type AS07GY06
Cathodically treated - yellow polyester paint RAL 1003
12mm toughened glass
Ingress rating: IP66 (EN60529), silicone gasket
Stainless steel screws

Temperature

Ambient temperature range: -20°C to +55°C (see table)
Surface temperature classification: T5 to T1
depending on floodlight power (see table)

Protection class: I

Rated voltages

Version HPS/metal halide:

Standard: 230V 50Hz ferromagnetic ballast, with capacitor
Options: 220V 60Hz – 120V 60Hz (400W)

Halogen version 500 and 1000W:

Standard: 230V 50Hz - direct connecting
Options: please enquire

Halogen version 2x55/70W:

Standard: 12V (55W); 24V (70W) - direct connecting
Options: please enquire

Power Factor

0.85 for version with compensated ballast
(Sodium HP and metal halide)

Cable entries

Standard: One nickel chromed brass M20 entry with fixing flange for non-armoured cable, Ø 8.5-16mm
One M20 nickel chromed brass plug
Option: M20-M25 metallic cable gland for armoured cable series PEP (see page 127)

Terminal block

Up to 6mm² (rigid wire), 4mm² (flexible wire)
Terminals supplied for L, N, PE

Lamps installed (see table)

Polished aluminium reflector
(optional end plate)

Standard: wide beam

Option: narrow beam

Option: horizontal louver HF001

Fixing

Standard: galvanised steel flat mounting bracket, yellow polyester paint RAL1003

Options: stainless steel flat mounting bracket 304L
'U' shaped bracket (specially reinforced for drilling)
in galvanised steel, yellow polyester paint RAL1003

Pole mounted, Ø 40 to 60mm (in the references:
replace letter 'P' with letter 'G')

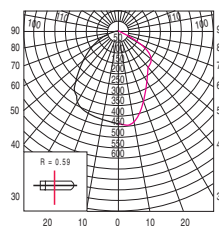
Eg: XSF400P becomes XSF400G)

Adjustable with foot (SA103)

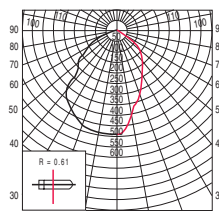
Safety support cable (SC100)

Installation and maintenance instruction leaflet NT 13 available on request

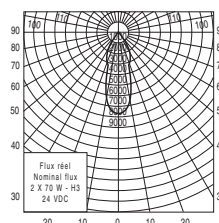
Photometric data



With metal halide lamp
for 1000 Lm



With sodium lamp H.P.
For 1000 Lm



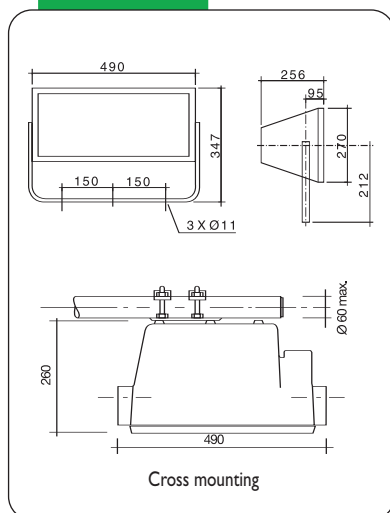
Real flux, with halogen lamp
2 x 70W

Reference	Rating (in W)	Lamps	Nominal current (in A)	Version	Weight (in Kg)	Temperature class	
						Temp= -20°C to +40°C	Temp= -20°C to +55°C
XSF150P	70	E27 tubular	0.4	HP Sodium	17	T4	T3
XSF150P	150	E40 tubular	0.8	HP Sodium	17	T4	T3
XSF250P	250	E40 tubular	1.3	HP Sodium	18	T3	T3
XSF400P	400	E40 tubular	2.1	HP Sodium	20	T2 ou T3*	T2
XQF250P	250	E40 tubular	1.3	Metal halide	18	T3	T3
XQF400P	400	E40 tubular	2.1	Metal halide	20	T2 ou T3*	T2
XEF140P	2x55	H3	9.2	Halogen	13	T5	T5
XEF140P	2x70	H3	5.8	Halogen	13	T5	T5
XHF500P	500	E40 tubular	2.2	Halogen	15	T2	T2
XHF1000P	1000	E40 tubular	4.5	Halogen	15	T1	T1

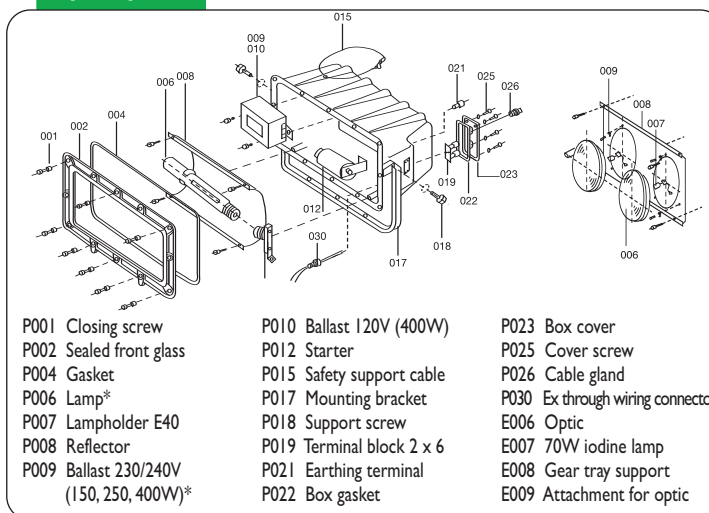
Use G letter for pole mounted (eg: XSF 400 G)
Flood light with Mercury lamp : please enquire

*With deflector

Dimensions



Spare parts



- P001 Closing screw
- P002 Sealed front glass
- P004 Gasket
- P006 Lamp*
- P007 Lampholder E40
- P008 Reflector
- P009 Ballast 230/240V (150, 250, 400W)*

- P010 Ballast 120V (400W)
- P012 Starter
- P015 Safety support cable
- P017 Mounting bracket
- P018 Support screw
- P019 Terminal block 2 x 6
- P021 Earthing terminal
- P022 Box gasket

- P023 Box cover
- P025 Cover screw
- P026 Cable gland
- P030 Ex through wiring connector
- E006 Optic
- E007 70W iodine lamp
- E008 Gear tray support
- E009 Attachment for optic

* Specify rating plus voltage