



PREFACE

DOSE – Innovative and Aware of Traditions

Our recipe for success is a mixture of two important values – innovation and tradition – they are the foundation on which we build, now and in the future.

Despite all tradition, which we can refer to, we never forget to move forward – as tradition does not mean standstill.

Despite all innovation which we pursue, we never forget what enables us to take these new paths – as innovation does not mean forgetting the tried and trusted.

Expertise – High Quality – Established Service – Approved Quality

- We assure **expertise** in the supervision and technical support on site – worldwide.
- The **high quality** of our product range is self-explaining and the primary concern of our company, because at the end of the day you will be judged by what you are offering to your customers.
- For us **established service** means customer care in all situations – from the friendly support over the phone right up to the delivery - we're happy to help you.
- **Approved Quality** – with every new order we take up the challenge of proving our quality requirements once more, not just concerning service but also product quality.

New Design – New Catalogue – New Naming – New Layout

- We have the finger on the pulse of time and an open ear for our customers. Our newly designed website conveys that visually.
- A **new catalogue** offers our customers an even more appealing and clear overview of our range.
- We want to simplify the access to our products – for this purpose we have introduced new product names. Names allow associations and hence are easy to remember.
- The catalogue's **new layout** – a clear tripartition in image, description and technical illustration allows you to capture relevant data at a glance and makes the order process easier.

The new DOSE catalogue represents the company's next evolutionary step towards transparency and more customer friendliness.

...and best of all: further developments are in progress...

Thank you for your attention and enjoy our new catalogue.

Thorsten Marquardt

DOSE VISION

Quality with tradition for over 90 years

For over 90 years our family business has been developing durable and resistant products for a secure electricity and light supply on the high seas.

Founded 1920 as specialists for ships electrics, we consequently expanded our product range to other maritime areas. Nowadays it ranges from marine lighting, spotlights and searchlights to container sockets and electric installation material and is orientated towards potentially explosive areas.

Professional advice, dependable delivery, fast order processing as well as a high safety standard are guaranteed through our qualified employees and the latest manufacturing technology.

Quality guarantee: Close contact to the customer

The close contact to our customers, partners and employees plays an important role – especially for us as a family business. It ensures that we can provide practical products on which you can rely when it comes down to it.

Next to our comprehensive standard product range we also develop solutions together with our customers, which fulfil more individual requirements. Starting with special series in brass and red brass through to spotlights or searchlights, made to suit your needs. Feel free to contact us, we are happy to help.



Our focus: Quality products for your safety

DOSE stands for quality: Since our foundation, crew complement from all over the world have been able to rely on the quality of the DOSE products, one hundred per cent. We put our trust in ongoing quality controls, from the production to the delivery and beyond. Only when you are satisfied, we are satisfied.

Modern technology is principally used in our products, however it has to meet our high quality requirements and offers an added value in terms of usability or durability.

Absolute reliability in every phase of the cooperation is guaranteed by our quality management system, according to DIN EN ISO 9001.

Your efficient partner - worldwide

Our head office in Hamburg is amongst other things responsible for the areas quality management, product development, marketing and customer service. Modern manufacturing facilities are located in Portugal and Czech Republic. Our company representatives in over 26 shipyards location all over the world take care of the personal contact on site.

Specialists of today and tomorrow

Offering qualitative products doesn't just mean optimising production processes, it also means guiding and training employees properly. That's why it is important for us to offer the specialists of tomorrow apprenticeships.



International Agencies



HEAD OFFICE HAMBURG
KARL DOSE GMBH
Försterweg 73-77
22525 Hamburg
Germany

Phone: +49-40-547322-0
Fax: +49-40-547322-99

E-mail: sales@karl-dose.de
www.karl-dose.com

AUSTRALIA
VERSALUX (AUSTRALIA) PTY.
1 Apollo Court
Blackburn
Phone: 0061-75502-9065
Fax: 0061-75502-9107
E-mail: rgibson@versalux.com.au

BRAZIL
MINURA ESTABLISHMENT LTD.
Rua Cupertino Durao, 25#201
Rio de Janeiro - RJ, CEP: 22.441-030
Phone: 0055-212 239 187 9
Fax: 0055-212 239 187 9
E-mail: cferreira@alternex.com.br

CANADA
JASTRAM TECHNOLOGIES LTD.
188 Bunting Rd., Unit#10
St.Catharines, Ontario
Phone: 001-905-641-2587
Fax: 001-905-6415267
E-mail: DColeman@jastram.com

CHILE
COPRESER LTDA.
San Martin No. 162, Loc. 09
Galleria Ruiz-Tagle
Phone: 0056-41-3122144
Fax: 0056-41-920807
E-mail: copreser@entelchile.net

CHINA
DAN MARINE (FAR EAST) LTD.
Floor 28, Flat B, Huadu Mansion, 838
200122 Shanghai
Phone: 0086-21-616422-33
Fax: 0086-21-616422-98
E-mail: louis@dan-marine.com

CROATIA
A.B. MARINE D.O.O.
Set XIII div. 121
51000 Rijeka
Phone: 00385-51-436413
Fax: 00385-51-436500
E-mail: a.b.marine@ri.t-com.hr

EGYPT
COMMERCE
El Golf Area, 61 El Thawra Str:
Heliopolis, Cairo
Phone: 0020-2-24170022
Fax: 0020-2-24173350
E-mail: commerce@commerceco.net

FINNLAND
EPOMARE OY
Rykmentintie 4
20810 Turku
Phone: 00358-2-2351500
Fax: 00358-2-2351499
E-mail: martti.sundqvist@epomare.fi

FRANCE
SEIMI EQUIPEMENTS MARINE
75 Rue Amiral Troude
CS 41809, 29218 Brest Cedex 2
Phone: 0033-02-98461102
Fax: 0033-02-98433749
E-mail: eric.dufaur@seimi.com
E-mail: daniel@seimi.com

GREAT BRITAIN
MAC LEAN ELECTRICAL
Peterseat Park, Peterseat Drive
AB123HT Aberdeen
Phone: 0044-1224-894212
Fax: 0044-1224-894212
aberdeen@maclean.co.uk

GREECE
MASS S.A.
344, Eleftheriou Venizelou Avenue
17675 Kallithea-Athens
Phone: 0030-194 198 - 06
Fax: 0030-194 076 - 88 (-90)
E-mail: savvas@mass.gr

INDIA
ELCOME MARINE SERVICES PVT.LTD.
Great Eastern Summit A., 11th Floor,
Plot.No.56, Sector 15, 400614 Navi
Mumbai
Phone: 0091-22-676 180 00
Fax: 0091-22-671 246 94
E-mail: nazia.noor@elcomeindia.com



**ITALY
ACERBI S.R.L.**

Via Spataro 36
15151 Genova
Phone: 0039-10-4695099
Fax: 0039-10-4695190
preventivi@acerbigenova.it
orietta.d@acerbigenova.it

**KOREA
STEIN SOHN KOREA**
#719 Byucksan Digital Valley, 132-7 Gam-
jeon-Dong, Sasang-Ku, Busan 602-030
Phone: 0082-51-329-7979
Fax: 0082-51-329-7080
E-mail: dhsong@steinsohnkorea.com
E-mail: kalee@steinsohnkorea.com

**NETHERLANDS
SOLAR NETHERLAND**
Effect 5
6921 RG Duiven
Phone: 0031-263652911
Fax: 0031-263652314
E-mail: w.heintzbergen@solarnederland.nl

**NEW ZEALAND
ELECTROPAR LTD.**
P.O. Box 58623 Botany, Manukau 2163
35, Lady Ruby Drive, East Tamaki
Phone: 0064-9-274-2000
Fax: 0064-9-274-2001
warrenc@electropar.co.nz

**NORWAY
NORTELCO A/S**
116 Manglerud, Johan
Scharffenbergs vei 95, 0694 Oslo
Phone: 004722-576100
Fax: 004722-576130
E-mail: eivind.vala@nortelco.no

**POLAND
ELECOM-MASTERTECH SPOLKA Z.O.O.**
Ul Kielecka 20
81-303 Gdyna
Phone: 0048-58-6699-244
Fax: 0048-58-6699-245
E-mail: s.staszewska@elecom.com.pl

**PORTUGAL
LENAVE LDA.**
Rua de S. Paulo, 228-230
1200-430 Lisboa
Phone: 0035121-3223190
Fax: 00351-21-3420968
E-mail: pedro.pedro@lenave.pt

**ROMANIA
RETEC S.A.**
402 Building, 1st floor, 132 Alexandru
Moruzi Str., 800232 Galati
Phone: 0040-236-448022
Fax: 0040-236-449146
E-mail: purchasing@retec.ro

**RUSSIA
JUSTUXIA OY**
4-6, 17th line V.O.
199034 St. Petersburg
Phone: 007-812-9379450
Fax: 007-812-3260966
E-mail: sergei.ponomarev@justuxia.fi

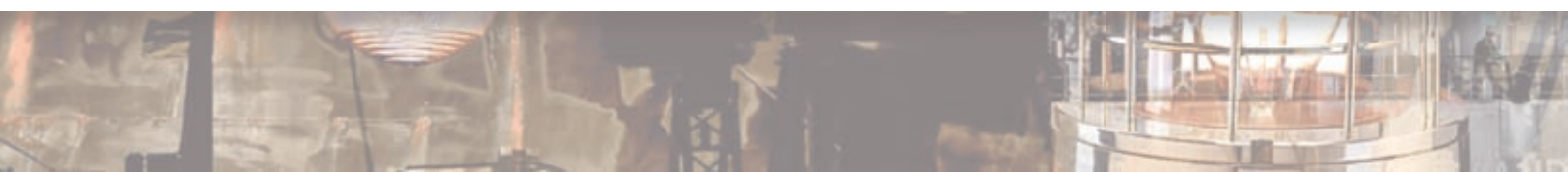
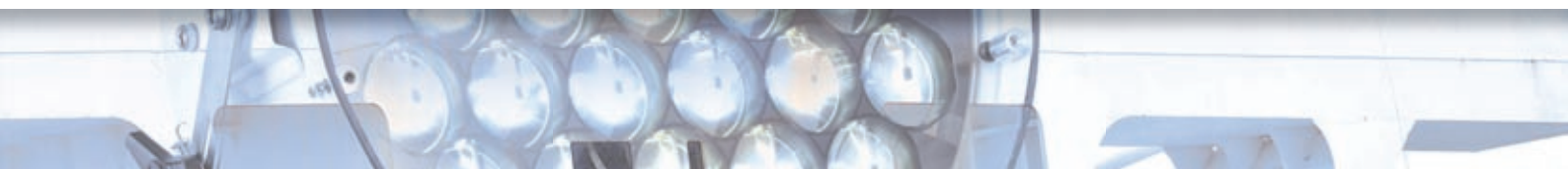
**SINGAPORE/MALAYSIA
SPRINGER EMS PTE. LTD.**
Springer EMS Pte. Ltd., 66, Tannery Lane
06-05 Sindo Building, Singapore 347805
Phone: 0065-745 330 0
Fax: 0065-746 637 4
E-mail: mike@springer-ems.com

**SPAIN
UNILUX GEOMAR S.A**
Poligono Industrial Valmor C/Diamante,
Nave 55, 28340 Valdemoro-Madrid
Phone: 0034-91-8752290
Fax: 0034-91-8752291
E-mail: alvaro@uniluxgeomar.com

**TURKEY
GEPASHIP MARKETING
INDUSTRY & TRADE CO. LTD.**
Yakamoz Sokak No. 10, Aydintepe Mahallesi,
(P.O. Box 7), Tuzla, 34947 Istanbul
Phone: 0090-216-3929396
Fax: 0090-216-3927758
E-mail: mete.tarihmen@gepaship.com
E-mail: alper.goncencer@gepaship.com

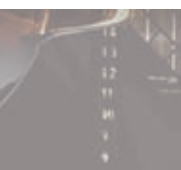
**USA
TECHNICO MARINE CORPORATION**
141 Beard Street Bldg. 15
11231 Brooklyn, New York
Phone: 001-718-855-3700
Fax: 001-718-855-3754
E-mail: TMCNY@aol.com

**U. A. E
PROFEN GENERAL TRADING LLC**
181926
Dubai
Phone: 00971-4-2289927
Fax: 00971-4-2289947
E-mail: director@profenis.com





LIGHTING FOR SHIPS



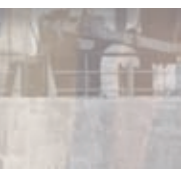
EQUIPMENT FOR
ELECTRICAL INSTALLATIONS



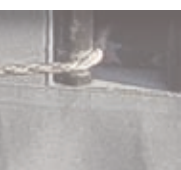
CONTAINER SOCKETS



CABLE INSTALLATION



EQUIPMENT FOR
HAZARDOUS AREAS



NAVY EQUIPMENT



w.ha jin.com



8828 29 4

22G1

GROSS 24 000 KG
 52 910 LB
 2 340 KG
 5 160 LB
 NET 21 660 KG
 47 750 LB
 CUB 33.0 CUM
 1 167 CU FT

67200 lb
 3570 kg
 7870 lb
 26910 kg
 59330 lb
 67.9 m³
 2397 cf
 30480 kg
 67200 lb
 3570 kg
 7870 lb
 26980 kg
 59380 lb
 67.9 m³
 2397 cf

26910 kg
 59330 lb
 67.9 m³
 2397 cf
 30480 kg
 67200 lb
 3570 kg
 7870 lb

26910 kg
 59330 lb



HA JIN

7.0

4

LIGHTING FOR SHIPS

EQUIPMENT FOR ELECTRICAL INSTALLATIONS

CONTAINER SOCKETS

CABLE INSTALLATION

EQUIPMENT FOR HAZARDOUS AREAS

NAVY EQUIPMENT





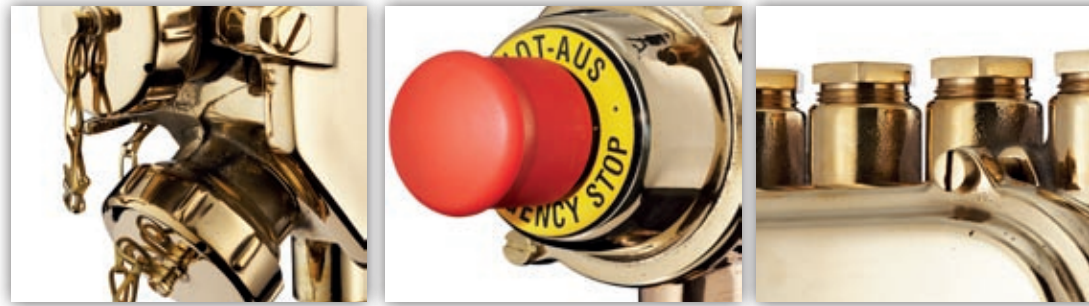
ALL in ONE

Why is the Karl Dose GmbH one of the market leaders for ship's electrical installations?

Very simple: from the idea to the casting right through to the computerised processing of the brass products, at DOSE everything happens under one

roof and that already for more than 90 years. No matter if brass, red brass or sea water resistant aluminium, we know our business. Of course all DOSE products are in accordance with the currently valid standards, regulations and specifications of the HNA (Handelsschiff Normen Ausschuss). The definition of the application area, the regulation of dimensions and authorized materials in the HNA's guidelines as well as the strict observation and control of the production through DOSE stand for a highest level of quality, accuracy, safety and reliability.





DOSE products are internationally approved by all renowned classification societies and if necessary also type-tested. For the special requirements on ships and boats of the Navy, DOSE manufactures and supplies equipment according to the defence technology standards (VG-Norm). In past decades DOSE has actively been involved in the design of the regulations that were issued by the marine standards office (NM) at the DIN (German Institute for Standardization).

Do you need a customised design within a narrow time frame? Then feel free to contact us!

Of course all components of our electrical equipment range are also available as spare parts.



Always travel

safe seas

DOSE electrical
installations are a
safe investment.

Starting with the development, the casting in our foundry, the completion in our factory in Hamburg – “Made in Germany” – right through to the worldwide customer care after the delivery of our products, DOSE offers everything from a single source.

With DOSE you always travel safe seas. The names of our electrical installation products come from smaller seas or lakes and rivers.



106



107



108



109



110



111



112



113



114



115



116



117



118



119



120



121



122



123



124



125



126



127



128



129



130



131



132



133



134



135



136

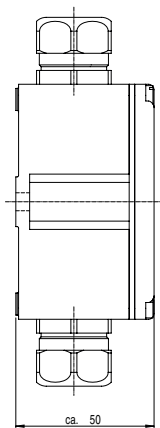
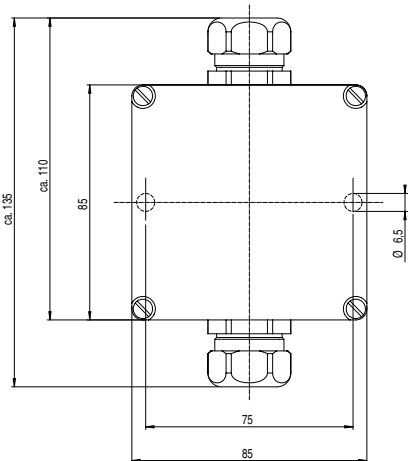


137





Triton
TR412



Technical Data

Name & No.	Diagram	kg	Description
Triton TA410	-O-	0,36	• aluminium casing and cover, powdercoated RAL 9018
Triton TA410a	O=	0,36	• cable gland: CG M20x1.5 polyamide DIN EN 50262 (IP68) • steatite terminal block acc. to DIN 89300 with 4 terminals up to 2,5mm ²
Triton TA411	=O-	0,37	
Triton TA412	=O=	0,38	
Triton TR410	-O-	1,35	• IP67 • red cast brass casing and cover
Triton TR410a	O=	1,35	• cable gland: CVKS M24x1.5 brass (IP68) • steatite terminal block acc. to DIN 89300 with 4 terminals up to 2,5mm ²
Triton TR411	=O-	1,43	
Triton TR412	=O=	1,53	

Spare Parts

No.	kg	Description
431	0,05	steatite terminal block acc. to DIN 89300 with terminals up to 2,5mm ²

Polished products available for x extra charge.





Triton
TR418/3

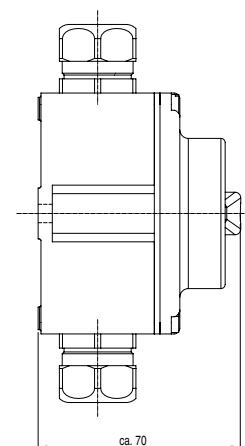
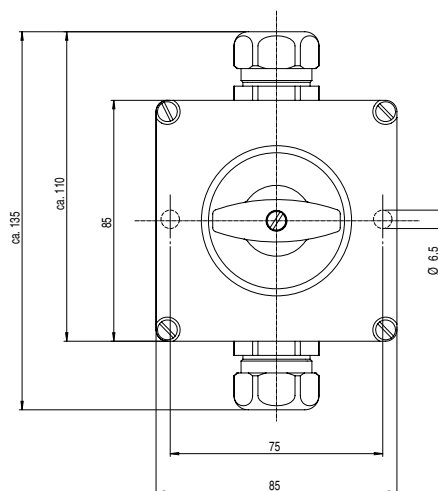
Technical Data

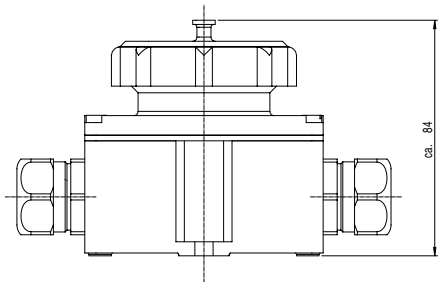
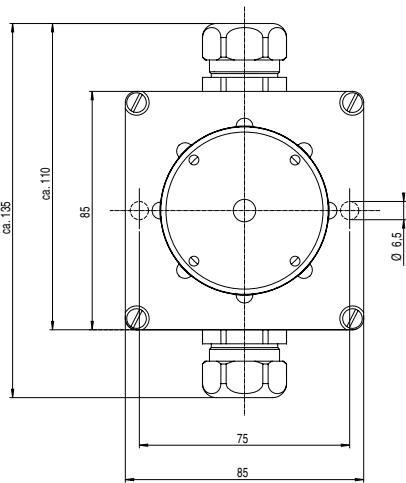
Name & No.	Diagram	kg	Description
Triton TA417	O-	0,42	<ul style="list-style-type: none"> aluminium casing and cover, powdercoated RAL 9018 cable gland: CG M20x1.5 polyamide DIN EN 50262 (IP68)
Triton TA418	O=	0,43	<ul style="list-style-type: none"> HNA-switch interior, 2-pole cut-out acc. to DIN 89322-1/2 10A AC/DC max. 250V
Triton TA418/3	=O-	0,44	
Triton TA419	-O-	0,43	
Triton TR417	O-	1,34	<ul style="list-style-type: none"> IP56 red cast brass casing and cover
Triton TR418	O=	1,44	<ul style="list-style-type: none"> cable gland: CVKS M24x1.5 brass (IP68) HNA-switch interior, 2-pole cut-out acc. to DIN 89322-1/2 10A AC/DC max. 250V
Triton TR418/3	=O-	1,54	
Triton TR419	-O-	1,44	

Spare Parts

No.	kg	Description
406	0,10	switch interior 2-pole cut-out acc. to DIN 89322-1/2. 10A AC/DC max. 250V
407	0,10	switch interior 1-pole change-over type without off-position acc. to DIN 89322-6/1 10A AC/DC max. 250V
408	0,10	switch interior 1-pole multi circuit type acc. to DIN 89322-5/1 10A AC/DC max. 250V
409	0,10	switch interior 1-pole reversing type acc. to DIN 89322-7/1 10A AC/DC max. 250V

Polished products available for an extra charge.





Technical Data

Name & No.	Diagram	kg	Description
Triton TA413	O-	0,36	<ul style="list-style-type: none"> IP56 aluminium casing and cover, powder coated RAL 9018
Triton TA413/2	O=	0,37	<ul style="list-style-type: none"> cable gland: CG M20x1.5 polyamide DIN EN 50262 (IP68) HNA steatite socket interior acc. to DIN 89320, 16A AC/10A DC
Triton TA413/D	-O-	0,39	<ul style="list-style-type: none"> max. 150V
Triton TA413/3	=O-	0,38	
Triton TR413	O-	1,23	<ul style="list-style-type: none"> IP56 red cast brass casing and cover
Triton TR413/2	O=	1,32	<ul style="list-style-type: none"> cable gland: CVKS M24x1.5 brass (IP68) HNA steatite socket interior acc. to DIN 89320, 16A AC/10A DC
Triton TR413/D	-O-	1,32	<ul style="list-style-type: none"> max. 150V
Triton TR413/3	=O-	1,43	
Triton TA415	O-	0,36	<ul style="list-style-type: none"> IP56 aluminium casing and cover, powder coated RAL 9018
Triton TA415/2	O=	0,37	<ul style="list-style-type: none"> cable gland: CG M20x1.5 polyamide DIN EN 50262 (IP68) HNA steatite socket interior acc. to DIN 89320, 16A AC/10A DC
Triton TA415/D	-O-	0,39	<ul style="list-style-type: none"> max. 250V
Triton TA415/3	=O-	0,38	
Triton TR415	O-	1,23	<ul style="list-style-type: none"> IP56 red cast brass casing and cover
Triton TR415/2	O=	1,32	<ul style="list-style-type: none"> cable gland: CVKS M24x1.5 brass (IP68) HNA steatite socket interior acc. to DIN 89320, 16A AC/10A DC
Triton TR415/D	-O-	1,32	<ul style="list-style-type: none"> max. 250V
Triton TR415/3	=O-	1,43	

Spare Parts

No.	kg	Description
159	0,08	socket interior acc. to DIN 89320, 16A AC/10A DC, max. 150V
160	0,05	socket interior acc. to DIN 89320, 16A AC/10A DC, max. 250V
430	0,05	plastic screw cap R1 3/4", complete
430/Ms	0,12	brass screw cap R1 3/4", complete

Polished products available for an extra charge.





Triton

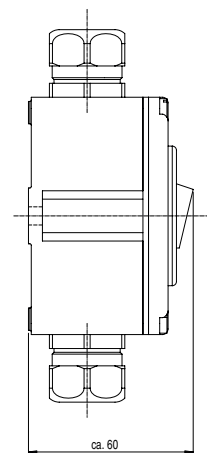
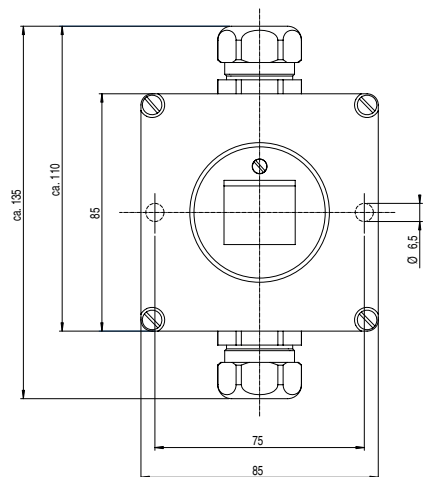
Technical Data

Name & No.	Diagram	kg	Description
Triton TA517	O-	0,37	<ul style="list-style-type: none"> IP41 aluminium casing and cover, powder coated RAL 9018 cable gland: CG M20x1.5 polyamide DIN EN 50262 (IP68) rocker-switch interior, 2-pole cut-out, 10A AC/DC max. 250V
Triton TA518	O=	0,38	
Triton TA518/3	=O-	0,38	
Triton TA519	-O-	0,39	
Triton TR517	O-	1,20	<ul style="list-style-type: none"> IP41 red cast brass casing and cover cable gland: CVKS M24x1.5 brass (IP68) rocker-switch interior 2-pole cut-out, 10A AC/DC max. 250V
Triton TR518	O=	1,30	
Triton TR518/3	=O-	1,40	
Triton TR519	-O-	1,30	

Spare Parts

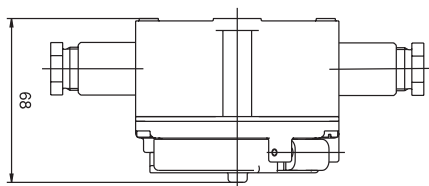
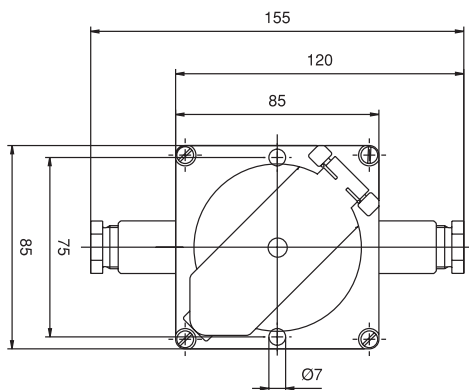
No.	kg	Description
166	0,10	rocker-switch interior, 2-pole cut-out, 10A AC/DC, max. 250V

Polished products available for an extra charge.





Triton



Triton
TA815/D-N

Technical Data

Name & No.	Diagram	kg	Description
Triton TA815-N	-O	0,45	<ul style="list-style-type: none"> IP 56 aluminium casing and cover, powder coated RAL 9018
Triton TA815/D-N	-O-	0,55	<ul style="list-style-type: none"> cable gland: M18x1.5 brass chromium plated acc. to VG 88773 and VG 88812 schuko-socket interior 16A AC / 10A DC
Triton TA815/2-N	O=	0,55	<ul style="list-style-type: none"> max. 250V with securable hinged lid
Triton TA815/3-N	-O=	0,62	
Triton TR815-N	-O	1,33	<ul style="list-style-type: none"> IP 56 red cast brass casing and cover
Triton TR815/D-N	-O-	1,40	<ul style="list-style-type: none"> cable gland: M18x1.5 brass chromium plated acc. to VG 88773 and VG 88812 schuko-socket interior 16A AC / 10A DC
Triton TR815/2-N	O=	1,40	<ul style="list-style-type: none"> max. 250V with securable hinged lid
Triton TR815/3-N	-O=	1,46	

Spare Parts

No.	kg	Description
165	0,05	schuko-socket interior 16A AC / 10A DC, max. 250V

Polished products available for an extra charge.





Batabano
110



Batabano
110a



Batabano
111



Batabano
112

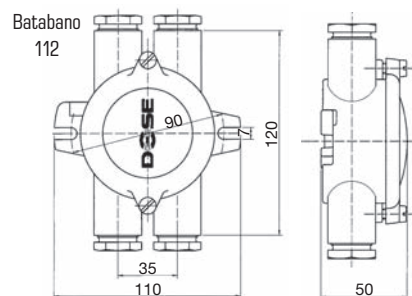
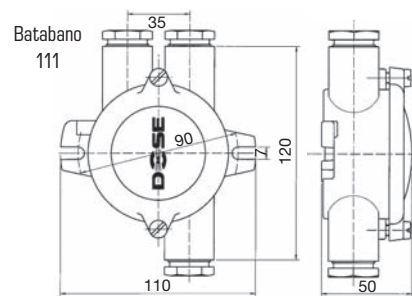
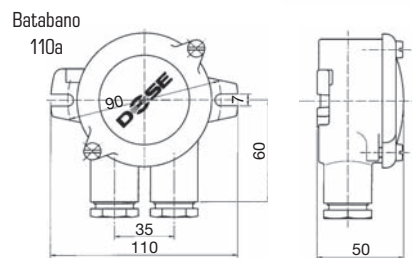
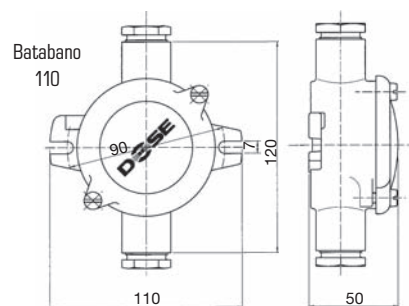
Technical Data

Name & No.	Diagram	kg	Description
Batabano 110	-O-	0,68	<ul style="list-style-type: none"> • IP56 • brass casing and cover • cable gland: M24x1.5
Batabano 110a	O=	0,70	<ul style="list-style-type: none"> • undetachable cover screws M6, steatite terminal block, acc. to DIN 89300 with terminals up to 2.5mm²
Batabano 111	=O-	0,76	<ul style="list-style-type: none"> • max. 500V
Batabano 112	=O=	0,85	

Spare Parts

No.	kg	Description
431	0,05	steatite terminal block acc. to DIN 89300 with terminals up to 2,5mm ²

Polished products available for an extra charge.



100
107
111a
112

Batabano

HNA Junction Box DIN 89250

karl-dose.de/**Batabano**



Batabano
100



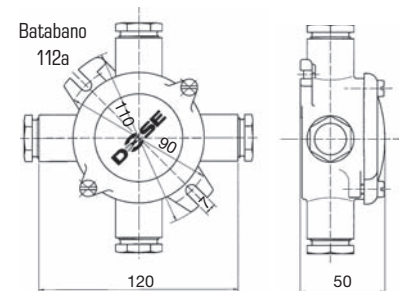
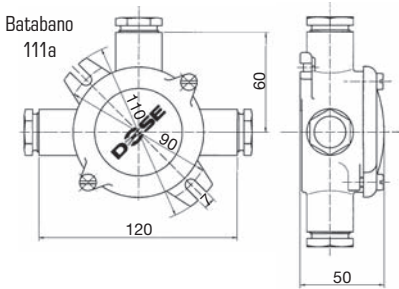
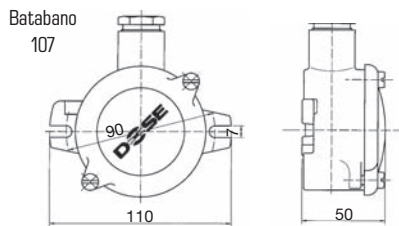
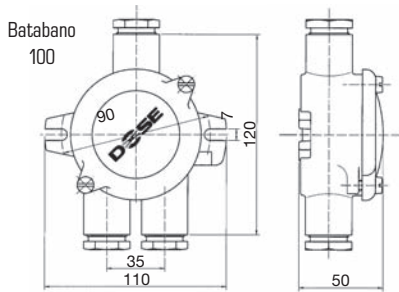
Batabano
107



Batabano
111a



Batabano
112a



Technical Data

Name & No.	Diagram	kg	Description
Batabano 100	-O=	0,76	<ul style="list-style-type: none"> IP56 brass casing and cover cable gland: M24x1.5 und detachable cover screws M6, steatite terminal block acc. to DIN 89300 with 4 terminals up to 2,5mm² max. 500V
Batabano 107	O-	0,58	
Batabano 111a	-O-	0,78	
Batabano 112a	-O-	0,80	

Spare Parts

No.	kg	Description
431	0,05	steatite terminal block acc. to DIN 89300 with terminals up to 2,5mm ²

Polished products available for an extra charge.





Batabano
179/4



Batabano
179/8



Cardigan
FK

Technical Data

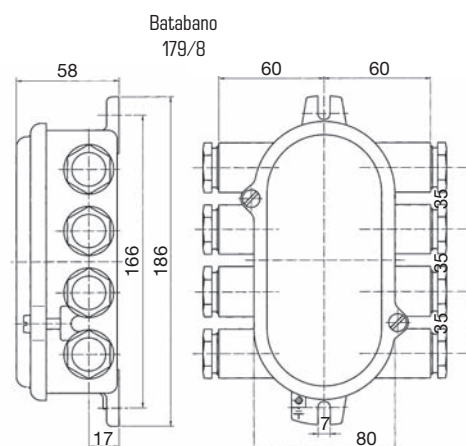
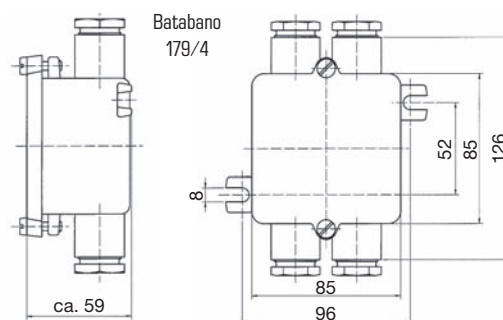
Name & No.	Diagram	kg	Description
Batabano 179/3	=O-	1,15	<ul style="list-style-type: none"> • IP56 • brass casing and cover • cable gland: M24x1,5 • undetachable cover screws M6, steatite terminal block acc. to DIN 89300 with terminals up to 2,5mm² • max. 500V
Batabano 179/4	=O=	1,30	
Batabano 179/8	≡O≡	1,85	

Name & No.	Size mm	kg	Description
Cardigan FK1	7 x 125 x 75	0,15	<ul style="list-style-type: none"> • housing made out of ABS • PUR cover gasket • undetachable and sealable cover screws made of glass-fibre reinforced PA • colour: RAL 7035 • other sizes and complete assembled boxes on request
Cardigan FK2	125 x 125 x 75	0,25	
Cardigan FK3	175 x 175 x 100	0,50	
Cardigan FK4	175 x 250 x 100	0,65	<ul style="list-style-type: none"> • casing made of polycarbonate, with pre-stamped knock-outs for cable glands • PUR cover gasket • undetachable and sealable cover screws made of glass-fibre reinforced PA • colour: RAL 7035 • other sizes and complete assembled boxes on request
Cardigan FK1 PC	75 x 125 x 75	0,20	
Cardigan FK2 PC	125 x 125 x 75	0,30	
Cardigan FK3 PC	175 x 175 x 100	0,50	
Cardigan FK4 PC	175 x 250 x 100	0,75	

Spare Parts

No.	kg	Description
431	0,05	steatite terminal block acc. to DIN 89300 with terminals up to 2,5mm ²
332	0,05	steatite terminal block with 4 terminals up to 2,5mm ²

Polished products available for an extra charge.



176
177
178
231
250

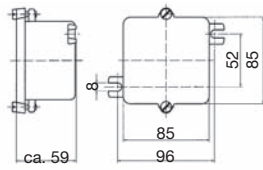
Cardigan

Cable Junction Boxes

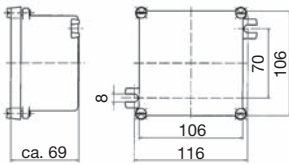
karl-dose.de/**Cardigan**



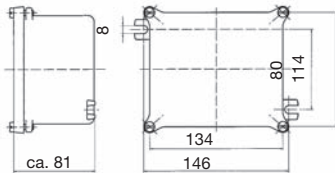
Cardigan
176



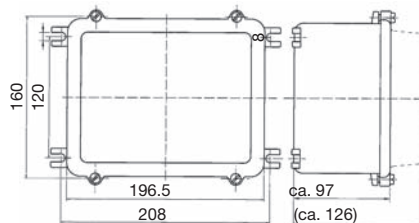
Cardigan
177



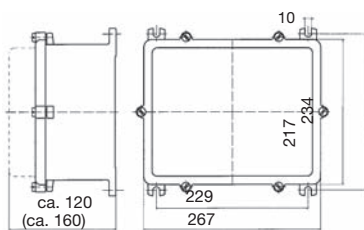
Cardigan
178



Cardigan
231/231H



Cardigan
250/250H



Technical Data

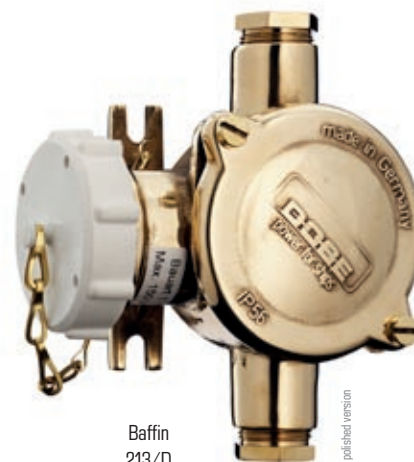
Name & No.	kg	Description
Cardigan 176	0,80	<ul style="list-style-type: none"> • IP56 • brass casing and cover • undetachable cover screws, empty and undrilled • internal dimension: 70 x 70 x 50mm
Cardigan 177	1,60	<ul style="list-style-type: none"> • IP56 • brass casing and cover • undetachable cover screws, empty and undrilled • internal dimension: 90 x 90 x 55mm
Cardigan 178	2,20	<ul style="list-style-type: none"> • IP56 • brass casing and cover • undetachable cover screws, empty and undrilled • internal dimension: 100 x 120 x 70mm
Cardigan 231	4,00	<ul style="list-style-type: none"> • IP56 • brass casing and cover • undetachable cover screws, empty and undrilled • internal dimension: 140 x 180 x 85mm
Cardigan 231H	4,20	<ul style="list-style-type: none"> • IP56 • brass casing and cover • undetachable cover screws, empty and undrilled • internal dimension: 140 x 180 x 115mm
Cardigan 250	8,50	<ul style="list-style-type: none"> • IP56 • brass casing and cover • undetachable cover screws, empty and undrilled • internal dimension: 200 x 250 x 100mm
Cardigan 250H	9,00	<ul style="list-style-type: none"> • IP56 • brass casing and cover • undetachable cover screws, empty and undrilled • internal dimension: 200 x 250 x 140mm

Spare Parts

No.	kg	Description
431	0,05	steatite terminal block acc. to DIN 89300 with terminals up to 2,5mm ²
332	0,05	steatite terminal block with 4 terminals up to 2,5mm ²

On request casing and cover are available in red-cast Al₉Si.
Polished products available for an extra charge.





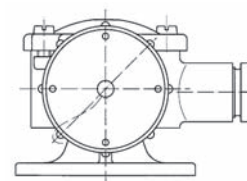
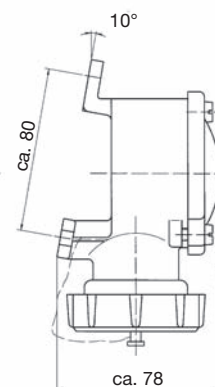
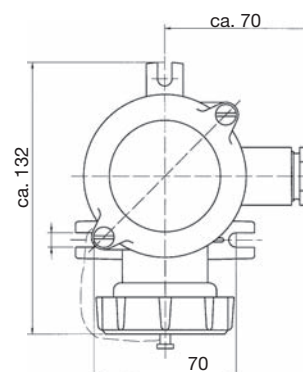
Baffin
213/D

polished version

Technical Data

Name & No.	Diagram	Pole	kg	Description
Baffin 213/L	-O	2P+PE	0,95	• socket • IP56
Baffin 213/R	O-	2P+PE	0,95	• brass casing and cover, plastic screw cap • cable gland: M24x1.5 • undetachable cover screws M6, steatite socket interior, acc. to DIN 89320
Baffin 213/D	-O-	2P+PE	1,05	• max. 150V (design 1-DIN 89262)
Baffin 213/2/L	=O	2P+PE	1,05	
Baffin 213/2/R	O=	2P+PE	1,05	
Baffin 215/L	-O	2P+PE	0,95	• socket • IP56
Baffin 215/R	O-	2P+PE	0,95	• brass casing and cover, plastic screw cap • cable gland: M24x1.5 • undetachable cover screws M6, steatite socket interior acc. to DIN 89320
Baffin 215/D	-O-	2P+PE	1,05	• max. 250V (design 2-DIN 89262)
Baffin 215/2/L	=O	2P+PE	1,05	
Baffin 215/2/R	O=	2P+PE	1,05	

Baffin
213/R



Spare Parts

No.	kg	Description
159	0,08	socket interior acc. to DIN 89320, design 1, max. 150V
160	0,08	socket interior acc. to DIN 89320, design 2, max. 250V
430	0,05	plastic screw cap R1 3/4", complete
430/Ms	0,12	brass screw cap R1 3/4", complete

Also available in 24V version.

Also available with brass screw cap, supplement charge.

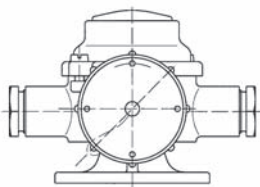
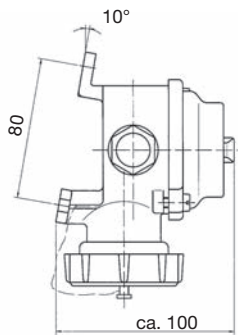
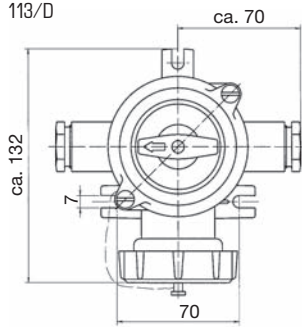
Polished products available for an extra charge.



polished version

Baffin
113/2/L

Baffin
113/D



Technical Data

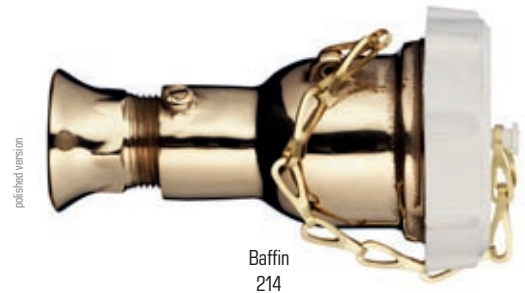
Name & No.	Diagram	Pole	kg	Description
Baffin 113/L	-O	2P+PE	1,40	<ul style="list-style-type: none"> • IP56 • brass casing and cover, plastic screw cap • cable gland: M24x1.5 • undetachable cover screws M6, steatite socket interior acc. to DIN 89320, switch interior 2-pole cut-out, acc. to DIN 89322-1/2 • max. 150V (design 1-DIN 89263)
Baffin 113/R	O-	2P+PE	1,40	
Baffin 113/D	-O-	2P+PE	1,43	
Baffin 113/2/L	=O	2P+PE	1,45	
Baffin 113/2/R	O=	2P+PE	1,45	
Baffin 115/R	O-	2P+PE	1,40	
Baffin 115/L	-O	2P+PE	1,40	<ul style="list-style-type: none"> • IP56 • brass casing and cover, plastic screw cap • cable gland: M24x1.5 • undetachable cover screws M6, steatite socket interior acc. to DIN 89320, switch interior 2-pole cut-out, acc. to DIN 89322-1/7 • max. 250V (design 2-DIN 89263)
Baffin 115/D	-O-	2P+PE	1,43	
Baffin 115/2/R	O=	2P+PE	1,45	
Baffin 115/2/L	=O	2P+PE	1,45	

Spare Parts

No.	kg	Description
159	0,08	socket interior acc. to DIN 89320, design 1, max. 150V
160	0,08	socket interior acc. to DIN 89320, design 2, max. 250V
430	0,05	plastic screw cap R1 3/4", complete
430/Ms	0,12	brass screw cap R1 3/4", complete

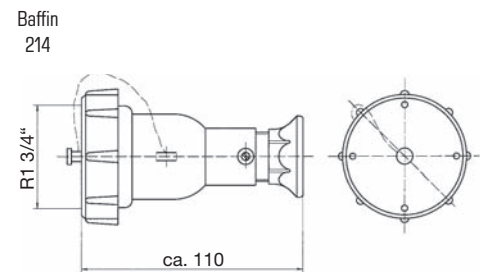
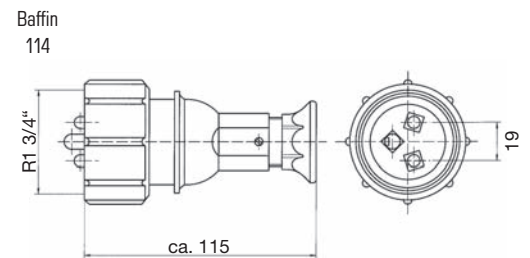
Also available with brass screw cap, supplement charge.
Polished products available for an extra charge.





Technical Data

Name & No.	Pole	kg	Description
Baffin 114	2P+PE	0,55	• socket • IP56
Baffin 114/P	2P+PE	0,21	• brass or plastic (P) casing • max. 150V (design 1-DIN 89267)
Baffin 214	2P+PE	0,45	• coupling • IP56
Baffin 214/P	2P+PE	0,17	• brass or plastic (P) casing • max. 150V (design 1-DIN 89266)
Baffin 116	2P+PE	0,55	• socket • IP56
Baffin 116/P	2P+PE	0,21	• brass or plastic (P) casing • max. 250V (design 2-DIN 89267)
Baffin 216	2P+PE	0,45	• socket • IP56
Baffin 216/P	2P+PE	0,17	• brass or plastic (P) casing • max. 250V (design 2-DIN 89266)



Spare Parts

No.	kg	Description
161	0,11	plug interior acc. to DIN 89320, design 1, max. 150V
159K	0,12	coupling interior acc. to DIN 89320, design 1, max. 150V
160K	0,12	coupling interior acc. to DIN 89320, design 2, max. 250V
162	0,11	plug interior acc. to DIN 89320, design 2, max.250V
430	0,05	plastic screw cap R1 3/4", complete
430/Ms	0,12	brass screw cap R1 3/4", complete

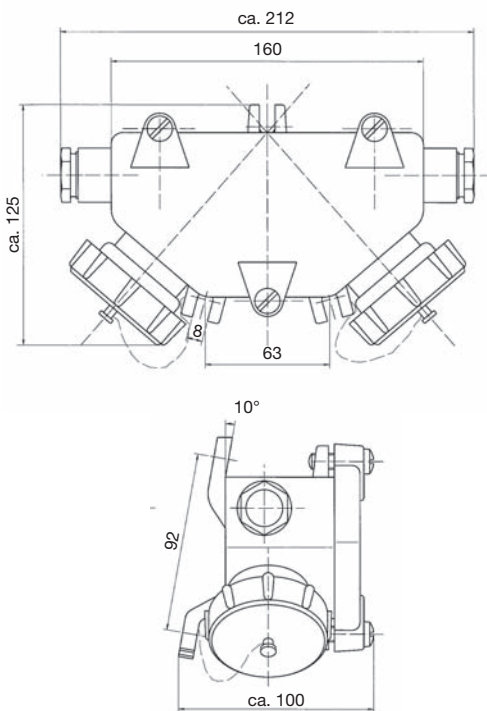
Also available with brass screw cap, supplement charge.
Polished products available for an extra charge.



polished version

Norton
229a

Norton
229



Technical Data

Name & No.	Pole	kg	Description
Norton 129	2P+PE	2,50	<ul style="list-style-type: none"> • socket • IP56
Norton 129a	2P+PE	2,80	<ul style="list-style-type: none"> • brass casing and cover, plastic screw cap • cable gland: M24x1.5 • undetachable cover screws M8, steatite socket interior acc. to DIN 89320 • max. 150V (design 1)
Norton 229	2P+PE	2,50	<ul style="list-style-type: none"> • socket • IP56
Norton 229a	2P+PE	2,80	<ul style="list-style-type: none"> • brass casing and cover, plastic screw cap • cable gland: M24x1.5 • undetachable cover screws M8, steatite socket interior acc. to DIN 89320 • max. 250V (design 2)

Spare Parts

No.	kg	Description
159	0,08	socket interior acc. to DIN 89320, design 1, max. 150V
160	0,08	socket interior acc. to DIN 89320, design 2, max. 250V
430	0,05	plastic screw cap R1 3/4", complete
430/Ms	0,12	brass screw cap R1 3/4", complete

Polished products available for an extra charge.





Technical Data

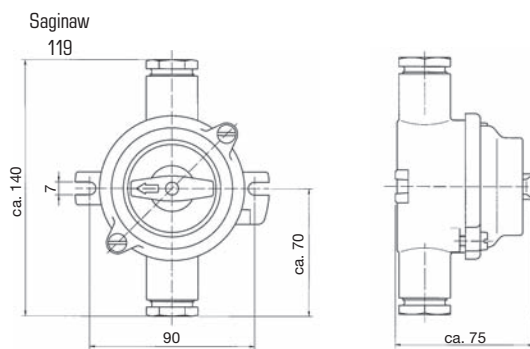
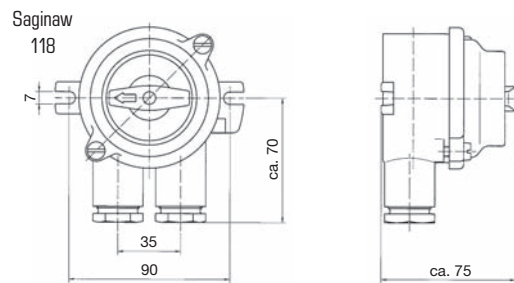
Name & No.	Diagram	kg	Description
Saginaw 117	-O	0,71	<ul style="list-style-type: none"> • IP56 • brass casing and cover • cable gland: M24x1.5
Saginaw 118	O=	0,83	<ul style="list-style-type: none"> • undetachable cover screws M6, switch interior 2-pole cut-out, 10A AC/DC acc. to DIN 89322-1/2
Saginaw 118/3	-O=	0,90	<ul style="list-style-type: none"> • max. 250V • 10A
Saginaw 119	-O-	0,70	

Spare Parts

No.	kg	Description
406	0,10	switch interior 2-pole cut-out acc. to DIN 89322-1/2 10A AC/DC max. 250V
407	0,10	switch interior 1-pole change-over type without off-position acc. to DIN 89322-6/1 10A AC/DC max. 250V
408	0,10	switch interior 1-pole multi circuit type acc. to DIN 89322-5/1 10A AC/DC max. 250V
409	0,10	switch interior 1-pole reversing type acc. to DIN 89322-7/1 10A AC/DC max. 250V

Polished products available for an extra charge.

Switch interior 2-pole cut-out 16A (not standardized) available on request.



173
275
276

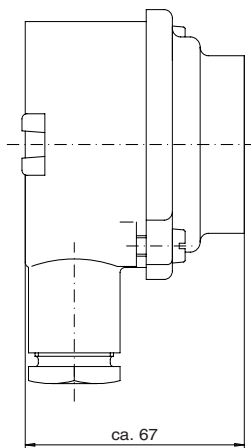
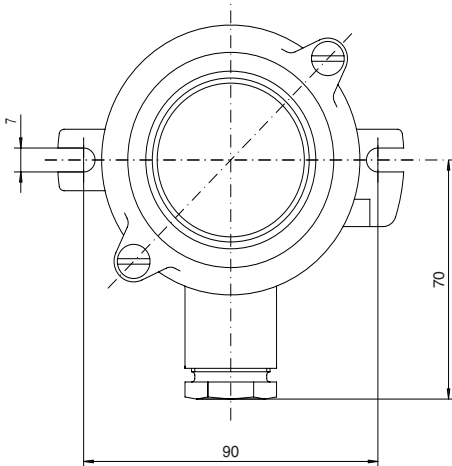
Kattegat

Push and Signal Buttons

karl-dose.de/**Kattegat**



Kattegat
173



Technical Data

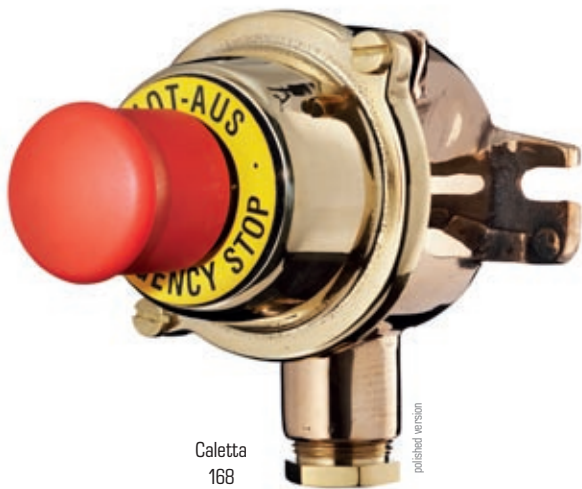
Name & No.	Diagram	kg	Description
Kattegat 173	O-	0,84	<ul style="list-style-type: none"> • IP56 • brass casing and cover • cable gland: M24x1.5
Kattegat 173/2	O=	0,92	<ul style="list-style-type: none"> • undetachable cover screws M6, contact interior for 1-pole working current and closed circuit current, 10A 380/500V AC
Kattegat 173/D	-O-	0,90	<ul style="list-style-type: none"> • 380/500V AC • 10A • neoprene membrane seals off push button
Kattegat 275	O-	0,84	<ul style="list-style-type: none"> • IP56 • brass casing and cover • cable gland: M24x1.5
Kattegat 275/2	O=	0,92	<ul style="list-style-type: none"> • undetachable cover screws M6, contact interior for 2-pole working current 10A 380/500V AC
Kattegat 275/D	-O-	0,90	<ul style="list-style-type: none"> • 380/500V AC • 10A • neoprene membrane seals off push button
Kattegat 276	O-	0,84	<ul style="list-style-type: none"> • IP56 • brass casing and cover • cable gland: M24x1.5
Kattegat 276/2	O=	0,92	<ul style="list-style-type: none"> • undetachable cover screws M6, contact interior for 2-pole closed circuit current, 10A 380/500V AC
Kattegat 276/D	-O-	0,90	<ul style="list-style-type: none"> • 380/500V AC • 10A • neoprene membrane seals off push button

Spare Parts

No.	kg	Description
T-E	0,03	contact interior 1-pole working current
TAR-E	0,03	contact interior 1-pole working current and closed circuit current
TAA-E	0,03	contact interior 2-pole working current
TRR-E	0,03	contact interior 2-pole closed circuit current

Polished products available for an extra charge.





Caletta 168

polished version



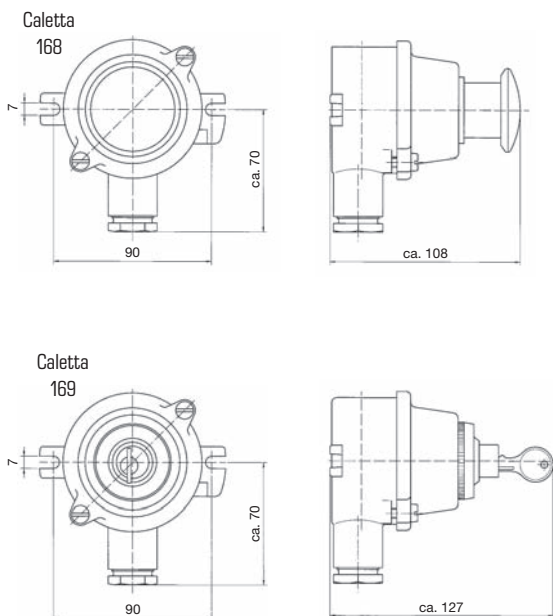
Caletta 169

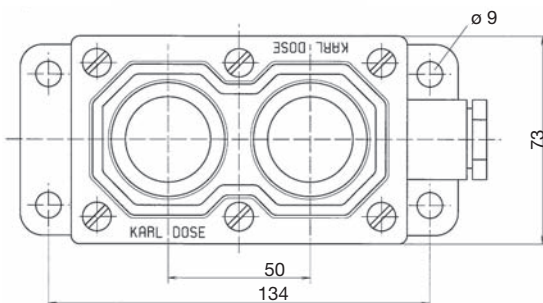
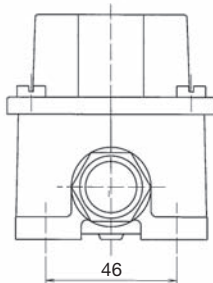
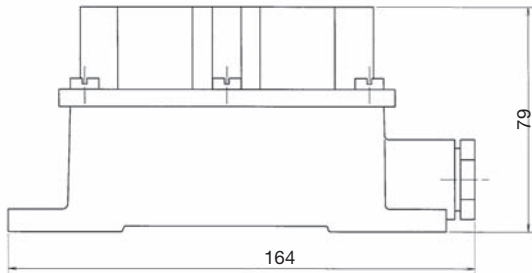
polished version

Technical Data

Name & No.	Diagram	kg	Description
Caletta 168	O-	0,80	<ul style="list-style-type: none"> emergency switch-off button IP56
Caletta 168/2	O=	0,93	<ul style="list-style-type: none"> brass casing and cover cable gland: M24x1.5 und detachable cover screws M6, plastic contact interior for 1-pole working current and closed circuit current 380/500V AC 10A
Caletta 168/D	-O-	0,91	<ul style="list-style-type: none"> 380/500V AC 10A depressed position blocks contacts, deblocking by strong pulling
Caletta 169	O-	0,80	<ul style="list-style-type: none"> key switch IP56
Caletta 169/2	O=	0,93	<ul style="list-style-type: none"> brass casing and cover cable gland: M24x1.5 und detachable cover screws M6, plastic contact interior for 1-pole working current and closed circuit current 380/500V AC 10A
Caletta 169/D	-O-	0,91	<ul style="list-style-type: none"> 380/500V AC 10A key can be removed in on- and -off-positions

Polished products available for an extra charge.



Kattegat
1732**Technical Data**

Name & No.	Diagram	kg	Description
Kattegat 1732	O-	1,53	<ul style="list-style-type: none"> empty casing for two contact interiors IP56
Kattegat 1732/D	-O-	1,64	<ul style="list-style-type: none"> brass casing and cover cable gland: M24x1.5 und detachable cover screws M6. max. 600V 16A
..1		0,04	push button green
..2		0,04	push button red
..3		0,03	indication light green
..4		0,03	indication light red
..5		0,04	push button with green light
..6		0,04	push button with red light
..7		0,05	emergency switch-off button red

Polished products available for an extra charge.



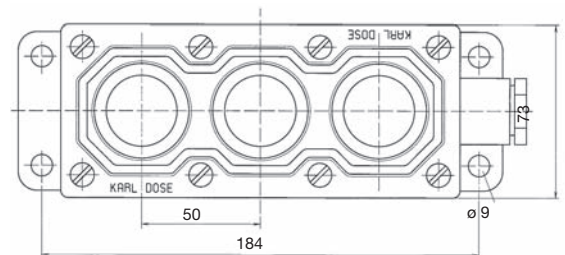
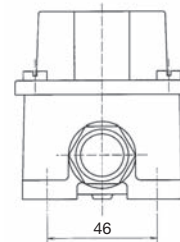
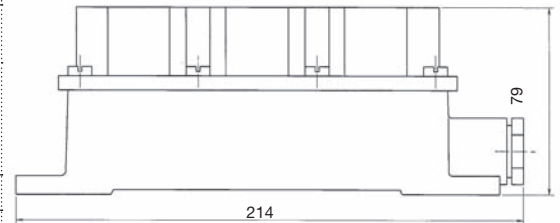


Kattegat
1733

Technical Data

Name & No.	Diagram	kg	Description
Kattegat 1733	O-	1,92	<ul style="list-style-type: none"> empty casing for three contact interiors IP56
Kattegat 1733/D	-O-	2,03	<ul style="list-style-type: none"> brass casing and cover cable gland: M24x1.5 und detachable cover screws M6 max. 600V 16A
..1		0,04	• push button green
..2		0,04	• push button red
..3		0,03	• indication light green
..4		0,03	• indication light red
..5		0,04	• push button with green light
..6		0,04	• push button with red light
..7		0,05	• emergency switch-off button red

Polished products available for an extra charge.



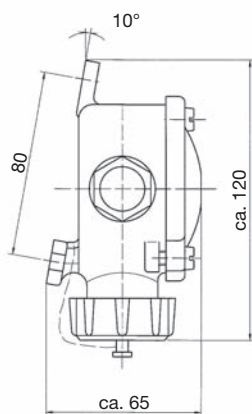
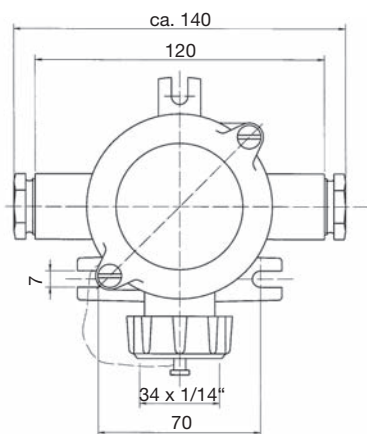


Tampa
207/D



Tampa
209

Tampa
207/D



Technical Data

Name & No.	Diagram	Pole	kg	Description
Tampa 207/L	-O	2P	0,80	• concentric socket • IP56
Tampa 207/R	O-	2P	0,80	• brass casing and cover, plastic screw cap • cable gland: M24x1.5 • undetachable cover screws M6, 2-pole steatite contact interior 10A max 50V
Tampa 207/D	-O-	2P	0,88	• max. 50V • 10A
Tampa 207/2/L	=O	2P	0,95	• also available for secondary lower voltage with lengthened contactsleeve
Tampa 207/2/R	O=	2P	0,95	
Tampa 209	O-	2P	0,76	• concentric socket • IP56
Tampa 209/2	O=	2P	0,93	• brass casing and cover, plastic screw cap • cable gland: M24x1.5 • undetachable cover screws M6, 2-pole steatite socket interior 10A max 50V
Tampa 209/D	-O-	2P	0,80	• max. 50V • 10A

Spare Parts

No.	kg	Description
418	0,10	2-pole steatite socket interior 10A max. 50V for Tampa 209
419	0,10	2-pole steatite socket interior 10A max. 50V for Tampa 207

Polished products available for an extra charge.
Also available with brass screw cap supplement charge.





Tampa
210/J

Technical Data

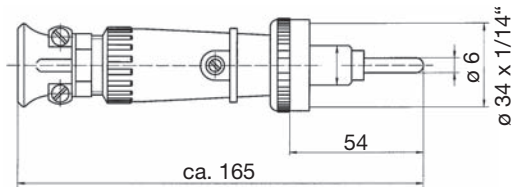
Name & No.	Pole	kg	Description
Tampa 210/J	2P	0,13	<ul style="list-style-type: none"> • concentric plug • IP56 • 2-pole steatite plug interior 10A max 50V, screw bush with stress relief made of plastic • max. 50V • 10A • Also available for secondary lower voltage with short plug pin.
Tampa 228	2P	0,13	<ul style="list-style-type: none"> • concentric coupling • IP56 • 2-pole plastic socket interior 10A max 50V. Screw bush with stress relief made of plastic • max. 50V • 10A

Spare Parts

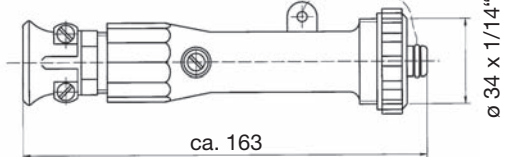
No.	kg	Description
420	0,05	2-pole steatite plug interior 10A max. 50V

Also available with brass screw cap supplement charge.

Tampa
210/J



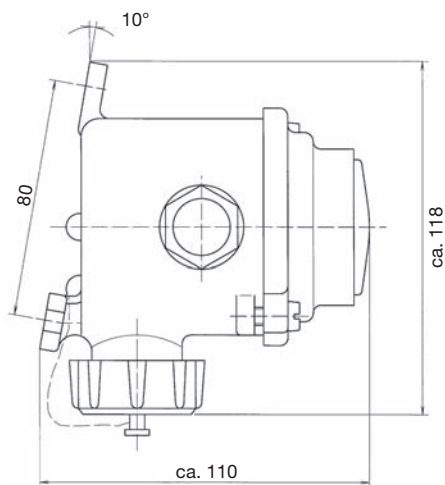
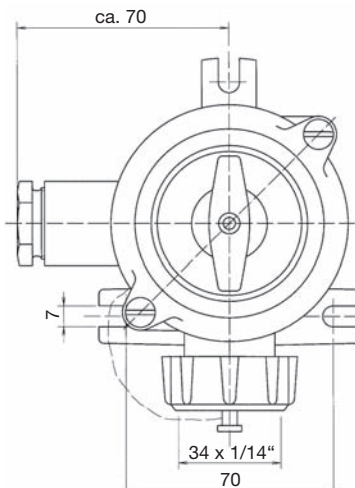
Tampa
228



Concentric Socket with Switch 2-pole, max. 50V



polished version

Tampa
211/L**Technical Data**

Name & No.	Diagram	Pole	kg	Description
Tampa 211/L	-O	2P	1,17	<ul style="list-style-type: none"> • IP56 • brass casing and cover, plastic screw cap • cable gland: M24x1.5 • 2-pole steatite socket interior 10A max 50V, switch interior 2-pole cut-out acc. to DIN 89322-1/2, undetachable cover screws M6 • max. 50V • 10A
Tampa 211/R	O-	2P	1,17	
Tampa 211/D	-O-	2P	1,22	
Tampa 211/2/L	=O	2P	1,27	
Tampa 211/2/R	O=	2P	1,27	

Spare Parts

No.	kg	Description
419	0,10	2-pole steatite socket interior 10A max. 50V
T-E	0,03	contact interior 1-pole working current
TAR-E	0,03	contact interior 1-pole working current and closed circuit current
TAA-E	0,03	contact interior 2-pole working current
TRR-E	0,03	contact interior 2-pole closed circuit current

Also available with brass screw cap supplement charge.

Polished products available for an extra charge.





Tampa
211/L/T

Technical Data

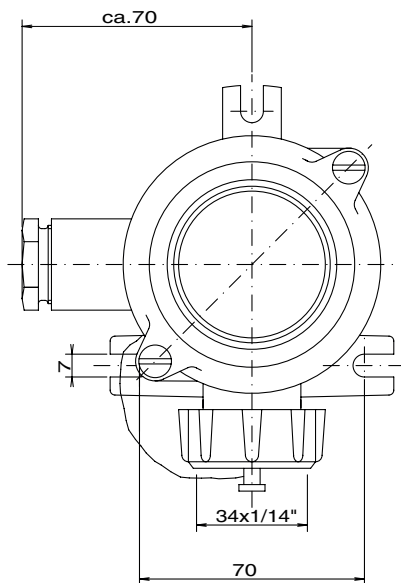
Name & No.	Diagram	Pole	kg	Description
Tampa 211/L/T	-O	2P	1,17	<ul style="list-style-type: none"> • IP56 • brass casing and cover, plastic screw cap • cable gland: M24x1.5
Tampa 211/R/T	O-	2P	1,17	<ul style="list-style-type: none"> • 2-pole steatite socket interior 10A max 50V, • contact interior 1-pole working current
Tampa 211/D/T	-O-	2P	1,22	<ul style="list-style-type: none"> • max. 50V • 10A
Tampa 211/2/L/T	=O	2P	1,27	
Tampa 211/2/R/T	O=	2P	1,27	

Spare Parts

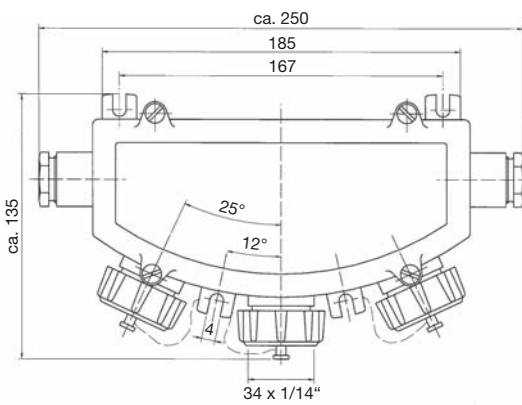
No.	kg	Description
419	0,10	2-pole steatite socket interior 10A max. 50V
T-E	0,03	contact interior 1-pole working current
TAR-E	0,03	contact interior 1-pole working current and closed circuit current
TAA-E	0,03	contact interior 2-pole working current
TRR-E	0,03	interior 2-pole closed circuit current

Also available with brass screw cap supplement charge.
Polished products available for an extra charge.

Tampa
211/L



Concentric Socket for 3 Connections 2-pol, max. 50V

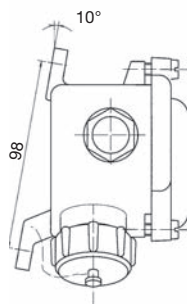
Sawu
167**Technical Data**

Name & No.	Diagram	Pole	kg	Description
Sawu 167	-O-	2P	2,95	<ul style="list-style-type: none"> • IP56 • brass casing and cover, plastic screw cap • cable gland: M24x1.5 • 2-pole steatite socket interiors, undetachable cover screws M6 • max. 50V • 10A

Spare Parts

No.	kg	Description
419	0,10	2-pole steatite socket interior 10A max. 50V

Also available with brass screw cap supplement charge.
Polished products available for an extra charge.





Delagoa 273



Delagoa 274



Delagoa 272/2/L

Technical Data

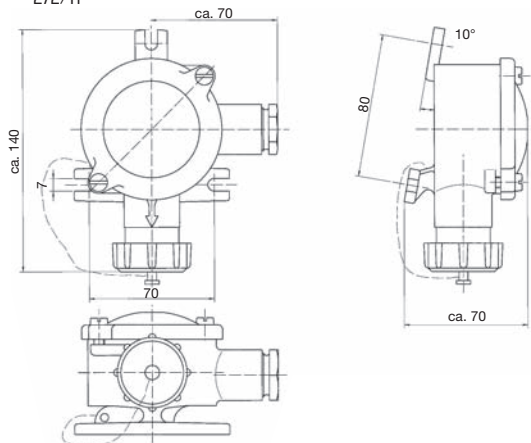
Name & No.	Diagram	Pole	kg	Description
Delagoa 272/L	-O	4P	0,85	<ul style="list-style-type: none"> • socket • especially for telephone and microphone installation
Delagoa 272/R	O-	4P	0,85	<ul style="list-style-type: none"> • IP56 • brass casing and cover, plastic screw cap • cable gland: M24x1.5
Delagoa 272/2/L	=O	4P	0,90	<ul style="list-style-type: none"> • 4-pole steatite socket interior, undetachable cover screws M6
Delagoa 272/2/R	O=	4P	0,90	<ul style="list-style-type: none"> • max. 50V • 6A
Delagoa 273		4P	0,30	<ul style="list-style-type: none"> • plug • IP56 • brass casing and threaded sleeve • 4-pole steatite plug interior • max. 50V • 6A
Delagoa 274		4P	0,29	<ul style="list-style-type: none"> • coupling • IP56 • brass casing • 4-pole steatite coupling interior • max. 50V • 6A

Spare Parts

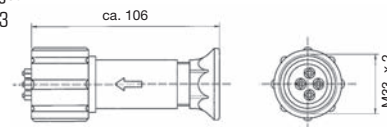
No.	kg	Description
272E	0,05	4-pole steatite socket interior max. 50V
273E	0,03	4-pole steatite plug interior max. 50V
274E	0,04	4-pole steatite coupling interior max. 50V

Polished products available for an extra charge.
Also available with brass screw cap supplement charge.

Delagoa 272/R



Delagoa 273

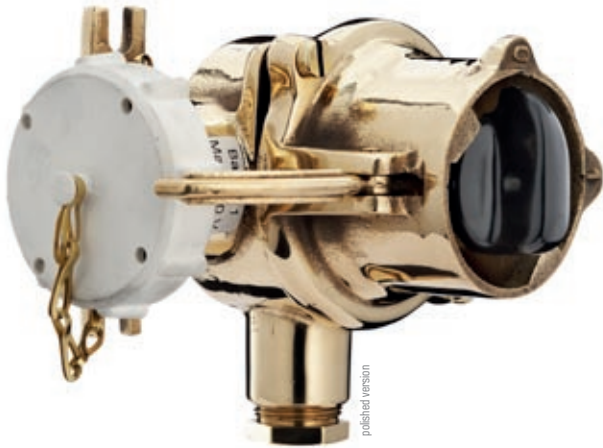


163
164
363
364

Bering

Locking-type Socket and Plug

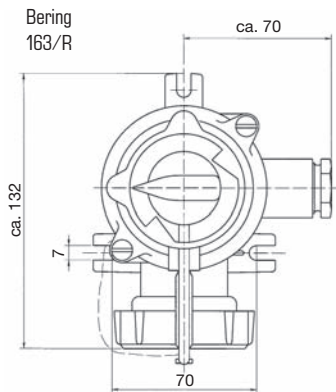
karl-dose.de/Bering



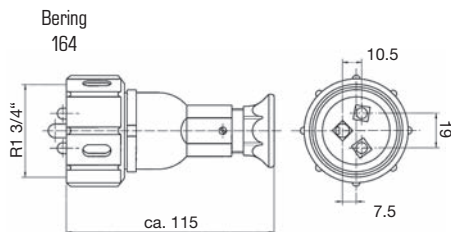
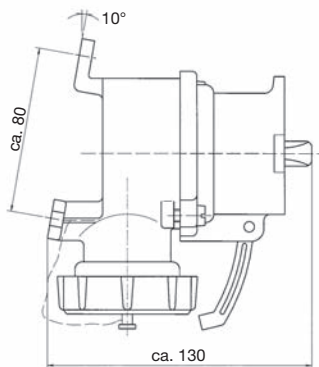
Bering
163/R



Bering
164



Bering
163/R



Bering
164

Technical Data

Name & No.	Diagram	Pole	kg	Description
Bering 163/L	-O	2P+PE	1,58	• lockable socket • IP56
Bering 163/R	O-	2P+PE	1,58	• brass casing, cover and screw cap • cable gland: M24x1.5
Bering 163/D	-O-	2P+PE	1,63	• 2-pole rotary-switch cut-out type, steatite socket interior acc. to DIN 89320 with mechanical blocking mechanism, undetachable cover screws M6
Bering 163/2/L	=O	2P+PE	1,72	• 16A AC/DC • design 1 (max. 150V)
Bering 163/2/R	O=	2P+PE	1,72	
Bering 164		2P+PE	0,55	• lockable plug • IP56 • brass casing • 16A AC/10A DC • design 1 (max. 150V)
Bering 363/L	-O	2P+PE	1,58	• lockable socket • IP56
Bering 363/R	O-	2P+PE	1,58	• brass casing, cover and screw cap • cable gland: M24x1.5
Bering 363/D	-O-	2P+PE	1,63	• 2-pole rotary-switch cut-out type, steatite socket interior acc. to DIN 89320 with mechanical blocking mechanism. Brass casing, cover and screw cap, undetachable cover screws M6
Bering 363/2/L	=O	2P+PE	1,72	• 16A AC/DC • design 2 (max. 250V)
Bering 363/2/R	O=	2P+PE	1,72	
Bering 364		2P+PE	0,55	• lockable plug • IP56 • brass casing • 16A AC/10A DC • design 2 (max. 250V)

Polished products available for an extra charge.

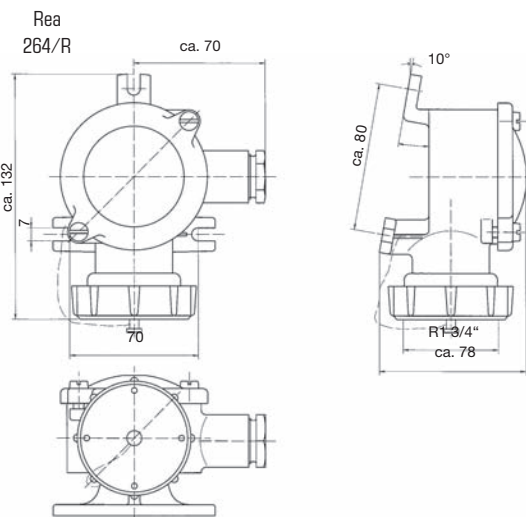
Also available with brass screw cap supplement charge.





Technical Data

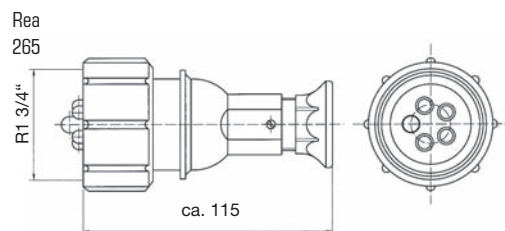
Name & No.	Diagram	Pole	kg	Description
Rea 264/L	-O	4P+PE	1,00	<ul style="list-style-type: none"> • socket • IP56
Rea 264/R	O-	4P+PE	1,00	<ul style="list-style-type: none"> • brass casing and cover, plastic screw cap • cable gland: M24x1.5 • steatite socket interior 4-pole+PE, undetachable
Rea 264/D	-O-	4P+PE	1,10	<ul style="list-style-type: none"> • cover screws M6 • max. 50V
Rea 264/2/L	=O	4P+PE	1,10	<ul style="list-style-type: none"> • 10A
Rea 264/2/R	O=	4P+PE	1,10	<ul style="list-style-type: none"> • brass screw cap
Rea 265		4P+PE	0,55	<ul style="list-style-type: none"> • plug • IP56 • brass casing • max. 50V • 10A
Rea 265/P		4P+PE	0,23	<ul style="list-style-type: none"> • coupling • IP56 • plastic casing • max. 50V • 10A



Spare Parts

No.	kg	Description
264E	0,08	steatite socket interior 4-pole+PE 10A, max. 50V
265E	0,12	steatite plug interior 4-pole+PE 10A, max. 50V
430	0,05	plastic screw cap R1 3/4", complete
430/Ms	0,12	brass screw cap R1 3/4", complete

Polished products available for an extra charge.
Also available with brass screw cap supplement charge.



263
262
201
244

Coral

Sockets for Test Panels

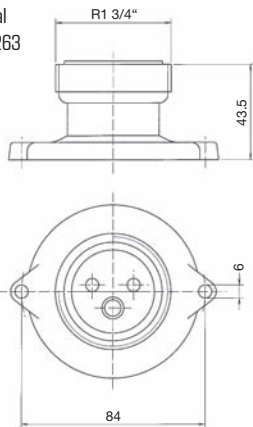
karl-dose.de/**Coral**



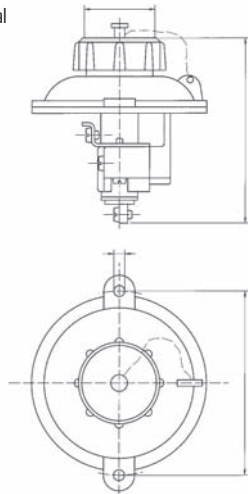
Coral 201

polished version

Coral 262/263



Coral 201



Technical Data

Name & No.	Pole	kg	Description
Coral 263	2P+PE	0,36	<ul style="list-style-type: none"> • IP56 • brass casing • steatite socket interior acc. to DIN 89320, with sealing ring, without screw cap • 16A AC/10A DC • design 1 (max. 150V)
Coral 262	2P+PE	0,36	<ul style="list-style-type: none"> • IP56 • brass casing • steatite socket interior acc. to DIN 89320, with sealing ring, without screw cap • 16A AC/10A DC • design 2 (max. 250V)
Coral 201	2P	0,40	<ul style="list-style-type: none"> • IP56 • brass casing, plastic screw cap • steatite socket interior, with sealing ring • 10A DC • max. 50V
Coral 244	4P	0,26	<ul style="list-style-type: none"> • IP56 • brass casing, plastic screw cap • with sealing ring • 6A DC • max. 50V

Spare Parts

No.	kg	Description
430	0,05	plastic screw cap R1 3/4", complete
430/Ms	0,12	brass screw cap R1 3/4", complete

Polished products available for an extra charge.

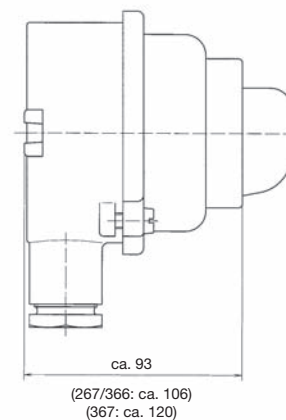
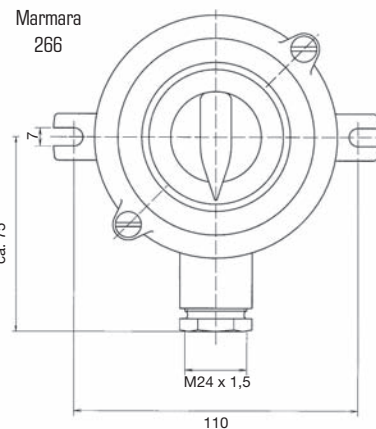




Marmara
266/3

Technical Data

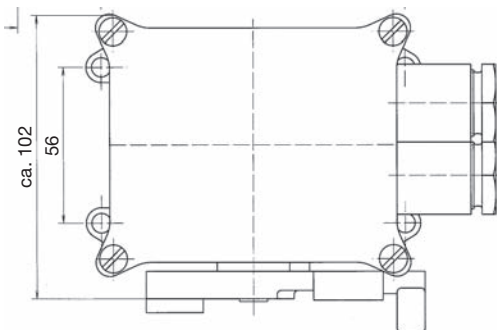
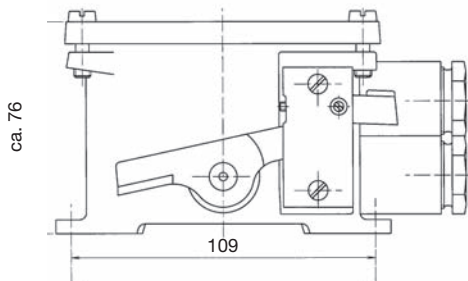
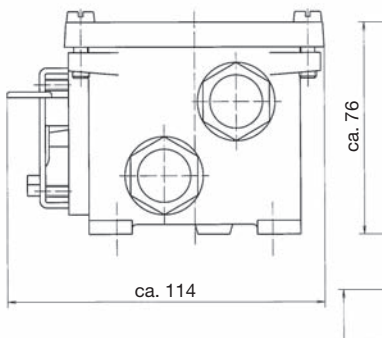
Name & No.	Diagram	Pole	kg	Description
Marmara 266	O-	2P	1,15	<ul style="list-style-type: none"> • IP56 • brass casing and cover
Marmara 266/2	O=	2P	1,20	<ul style="list-style-type: none"> • cable gland: M24x1.5 • switch interior 16A-1/2, 2-pole cut-out type 16A 380V AC/250V DC
Marmara 266/D	-O-	2P	1,20	<ul style="list-style-type: none"> • 400V AC/250V DC • 16A
Marmara 266/3	=O-	2P	1,25	
Marmara 267/2	O=	2P	1,60	<ul style="list-style-type: none"> • IP56 • brass casing and cover • cable gland: M24x1.5
Marmara 267/D	-O-	2P	1,60	<ul style="list-style-type: none"> • switch interior 16A-4/2, 2-pole change-over type 16A 380V AC/250V DC
Marmara 267/3	=O-	2P	1,65	<ul style="list-style-type: none"> • 400V AC/250V DC • 16A
Marmara 366	O-	3P	1,25	<ul style="list-style-type: none"> • IP56 • brass casing and cover • cable gland: M24x1.5
Marmara 366/2	O=	3P	1,30	<ul style="list-style-type: none"> • switch interior 16A-1/3, 3-pole cut-out type 16A 380V AC/250V DC
Marmara 366/D	-O-	3P	1,30	<ul style="list-style-type: none"> • 400V AC/250V DC • 16A
Marmara 366/3	=O-	3P	1,35	
Marmara 367/2	O=	3P	1,60	<ul style="list-style-type: none"> • IP56 • brass casing and cover • cable gland: M24x1.5
Marmara 367/D	-O-	3P	1,60	<ul style="list-style-type: none"> • switch interior 16A-4/3, 3-pole change-over type 16A 380V AC/250V DC
Marmara 367/3	=O-	3P	1,65	<ul style="list-style-type: none"> • 400V AC/250V DC • 16A



Spare Parts

No.	kg	Description
266E	0,16	switch interior 16A-1/2, 2-pole cut-out type
366E	0,18	switch interior 16A-1/3, 3-pole cut-out type
267E	0,19	switch interior 16A-4/2, 2-pole change over type
367E	0,22	switch interior 16A-4/3, 3-pole cut-out type

Polished products available for an extra charge.
Other types of switches upon request.

Lynn
328/2**Technical Data**

Name & No.	Diagram	kg	Description
Lynn 328	O-	1,78	<ul style="list-style-type: none"> • IP56 • brass casing and cover • cable gland: M24x1.5
Lynn 328/2	O=	1,86	<ul style="list-style-type: none"> • 2-pole cut-out type, toggle-switch interior 10A 250V AC, 2A 230V DC, undetachable cover screws M6
Lynn 328/D	-O-	1,86	<ul style="list-style-type: none"> • 250V AC/230V DC • 10A AC/2A DC
Lynn 328/4	=O=	2,05	<ul style="list-style-type: none"> • shock tested

Spare Parts

No.	kg	Description
328E	0,06	toggle-switch interior 2-pole cut-out type 10A 250V AC, 2A 230V DC

Also available with locking device.
Polished products available for an extra charge.



Morse Key, Typhoon-Switch



Oreti 310

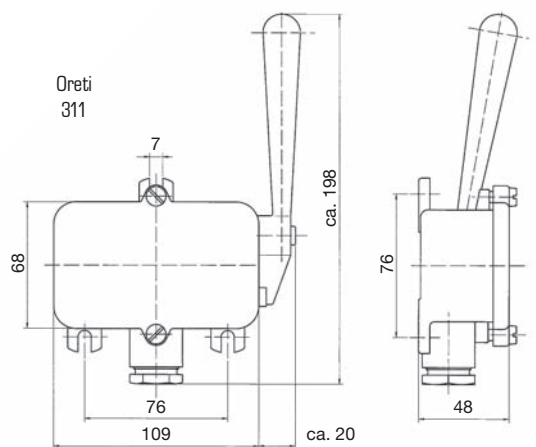
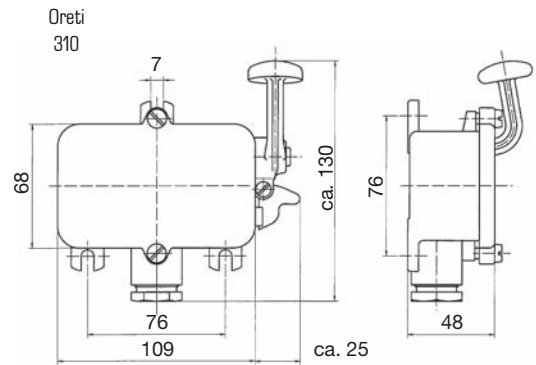


Oreti 311

Technical Data

Name & No.	Diagram	kg	Description
Oreti 310	O-	1,18	<ul style="list-style-type: none"> • IP56 • brass casing and cover • cable gland: M24x1.5 • with 1-pole working current and closed circuit current, with setting device • 220V • 6A
Oreti 311	O-	1,18	<ul style="list-style-type: none"> • IP56 • brass casing and cover • cable gland: M24x1.5 • with 1-pole working current and closed circuit current • 220V • 6A

Polished products available for an extra charge.

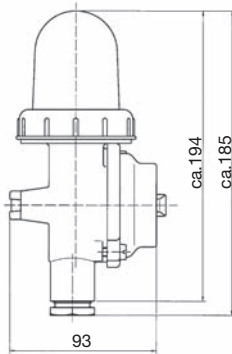
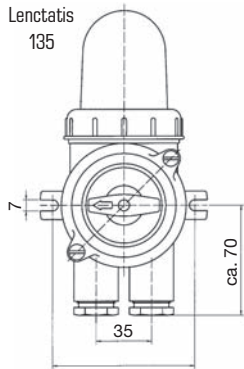




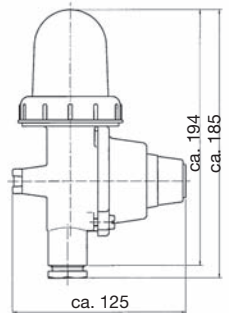
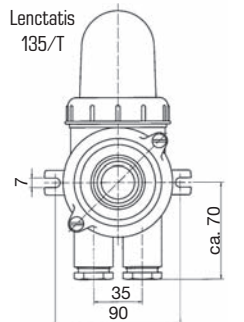
Lenctatis
135

Lenctatis
135/T

Lenctatis
135



Lenctatis
135/T



Technical Data

Name & No.	Diagram	kg	Description
Lenctatis 135	O=	1,10	<ul style="list-style-type: none"> • IP56 • brass casing, cover and sleeve, cylindrical glass red • cable gland: M24x1.5 • with lampholder E14 for bulb up to 15W or conical bulb 10/6W • switch interior 2-pole cut-out type acc. to DIN 89322-1/2, undetachable cover screws M6 • max. 250V • 10A AC/DC
Lenctatis 135/T	O=	1,20	<ul style="list-style-type: none"> • IP56 • brass casing, cover and sleeve, cylindrical glass red • cable gland: M24x1.5 • with lampholder E14 for bulb up to 15W or conical bulb 10/6W • switch interior 1-pole working current and closed circuit current, undetachable cover screws M6 • max. 660V • 16A AC/DC

Spare Parts

No.	kg	Description
406	0,10	switch interior 2-pole cut-out acc. to DIN 89322-1/2. 10A AC/DC max. 250V
E136T	0,04	push button insert 16A 660V AC, 1-pole working current and closed circuit current
398/red	0,11	cylindrical glass red, 64 x 73mm
465	0,04	double bracket lampholder E14, shake protected

Polished products available for an extra charge.
Also available with clear, green, blue, yellow and frosted glass.



Switch/Push Button with Control-Light (Glow Lamp)



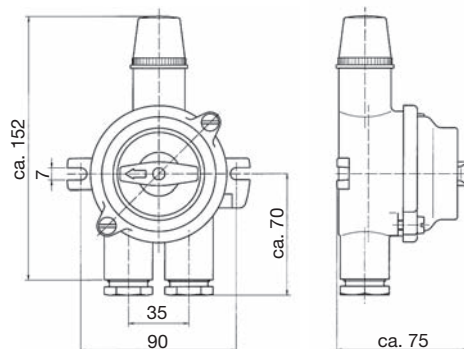
Lenctatis
136

Lenctatis
136/T

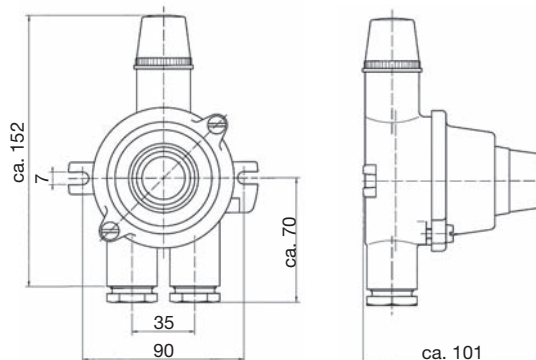
Technical Data

Name & No.	Diagram	kg	Description
Lenctatis 136	O=	1,15	<ul style="list-style-type: none"> • IP56 • brass casing, cover and sleeve, plexiglass covering red • cable gland: M24x1.5 • with lampholder E 14 and glow-lamp • switch interior 1-pole cut-out type acc. to DIN 89322-1/2, undetachable cover screws M6 • max. 250V • 10A AC/DC
Lenctatis 136/T	O=	1,20	<ul style="list-style-type: none"> • IP56 • brass casing, cover and sleeve, plexiglass covering red • cable gland: M24x1.5 • with lampholder E 14 and glow lamp • push button insert 1-pole working current and closed circuit, undetachable cover screws M6 • max. 660V • 16A AC

Lenctatis
136



Lenctatis
136/T



Spare Parts

No.	kg	Description
406	0,10	switch interior 2-pole cut-out acc. to DIN 89322-1/2. 10A AC/DC max. 250V
E136T	0,04	push button insert 16A 660V AC, 1-pole working current and closed circuit current

Polished products available for an extra charge.



Spare Parts

Equipment for Electrical Installations

karl-dose.de



419



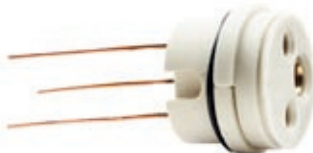
420



431



161 / 162



159 / 160

Spare Parts

No.	for	kg	Description
159	113, 213, 129, 129a, 163, 263	0,08	Socket interior acc. to DIN 89320, Design 1, max. 150V
159K	214	0,12	Coupling interior acc. to DIN 89320, Design 1, max. 150V
160	115, 215, 229, 229a, 363, 262	0,08	Socket interior acc. to DIN 89320, Design 2, max. 250V
160K	216	0,08	Coupling interior acc. to DIN 89320, Design 2, max. 250V
161	114, 164	0,11	Plug interior acc. to DIN 89320, Design 1, max. 150V
162	116, 364	0,11	Plug interior acc. to DIN 89320, Design 2, max. 250V
431	100, 107, 110, 111, 112, 110a, 111a, 112a, 264, 272	0,05	Steatite terminal block acc. to DIN 89300 with terminals up to 2,5mm ₂
332	179/8, 129, 129a, 229, 229a	0,05	Steatite terminal block with 4 terminals up to 2,5mm ²
264E	264	0,08	Steatite socket interior 4-pole+PE 10A, max. 50V
265E	265	0,12	Steatite plug interior 4-pole+PE 10A, max. 50V
272E	272	0,05	4-pole steatite socket interior max. 50V
273E	273	0,03	4-pole steatite plug interior max. 50V
274E	274	0,04	4-pole steatite coupling interior max. 50V
418	209	0,10	2-pole steatite socket interior 10A max. 50V
419	167, 201, 207, 211	0,10	2-pole steatite socket interior 10A max. 50V
420	210/J	0,05	2-pole steatite plug interior 10A max. 50V
266E	266/3	0,16	Switch interior 16A-1/2, 2-pole cut-out type
267E	266/3	0,19	Switch interior 16A-4/2, 2-pole change over type
366E	366/3	0,18	Switch interior 16A-1/3, 3-pole cut-out type
367E	366/3	0,22	Switch interior 16A-4/3, 3-pole cut-out type
406	113, 115, 117, 118, 118/3, 119, 135, 136, 211	0,10	Switch interior 2-pole cut-out acc. to DIN 89322-1/2. 10A AC/DC max. 250V
407	117, 118, 118/3, 119	0,10	Switch interior 1-pole change-over type without off-position acc. to DIN 89322-6/1 10A AC/DC max. 250V





405 bis 409



266-E



TAA-E

Spare Parts

No.	for	kg	Description
408	117, 118, 118/3, 119	0,10	Switch interior 1-pole multi circuit type acc. to DIN 89322-5/1 10A AC/DC max. 250V
409	117, 118, 118/3, 119	0,10	Switch interior 1-pole reversing type acc. to DIN 89322-7/1 10A AC/DC max. 250V
E136T	135T, 136T	0,04	Push button insert 16A 660V AC, 1-pole working current and closed circuit current
TAA-E	173, 211	0,03	Contact interior 2-pole working current
TAR-E	173, 211	0,03	Contact interior 1-pole working current and closed circuit current
T-E	173, 211	0,03	Contact interior 1-pole working current
TRR-E	173, 211	0,03	Contact interior 2-pole closed circuit current
328E	328	0,06	Toggle-switch interior 2-pole cut-out type 10A 250V AC, 2A 230V DC
272K	272	0,04	Plastic screw cap M33x2
272K/Ms	272	0,07	Brass screw cap M33x2
421	113, 114, 114/P, 115, 116, 116/P, 129, 163, 164	0,01	Conical sealing ring
422	213, 214, 215, 216, 229, 264, 265	0,01	Brass threaded ring R 1 3/8"
423	HNA-Deckel	0,01	Sealing ring for HNA-Cover D6xDI64
430 Fs	113, 115, 129, 163, 213, 214, 215, 216, 229, 262, 263, 264	0,05	Plastic screw cap R 1 3/4"
430 Ms	113, 115, 129, 163, 213, 214, 215, 216, 229, 262, 263, 264	0,12	Brass screw cap R 1 3/4"
438 Fs	167, 201, 207, 209, 211, 228, 272, 274	0,04	Plastic screw cap W34x1/14"
438 Ms	167, 201, 207, 209, 211, 228, 272, 274	0,07	Brass screw cap W34x1/14"
398 rot	135, 135T	0,11	Cylindrical glass red, 64x73mm
465	135, 135T	0,04	Double bracket lampholder E14, shake protected



General:

DOSE's products are manufactured in accordance with the relevant standards, regulations and DIN-HNA (German Institute for Standardization e. V. Standardization committee for Shipbuilding) stated in the working sheets in force.

The description on application area, the fixing of basic dimensions as well as allowed materials mentioned in the guidelines of the DIN-HNA, and DOSE's consequent realization and compliance control of the product signifies highest quality standard and precision, safety and reliability for DOSE's products.

DOSE products are internationally approved by all renowned classification societies and are, depending on type, tested where necessary.

DOSE produces and supplies equipment in accordance with defense equipment standards (VG-Norm) specifically for the particular requirements for the Federal Marines' ships and boats.

DOSE has been actively involved for decades in the design organization of the Standards Office Marines (NM) at the DIN (German Institute for Standardization e. V.) published regulations.

If not specifically stated in the text, casings are made of protective type IP 56 brass in accordance with EN 60529.

All dimensions, weights and construction details given in this catalogue are noncommittal. Please contact us if you require our scale drawing for construction purposes.

Rights reserved for technical amendments.

Cable Glands:

Unless otherwise indicated, all cable glands are in accordance with DIN 89280.

Fitted as standard to fittings in Chapter 1 is the M24 x 1,5 thread for use with armoured MGCG 3 x 1,5mm² cable, fitting Z 14, with:

Earthing cones	24-10 DIN 89345
Gasket	24-14 DIN 89349
Washer	24-15 DIN 89347

For exports unless otherwise indicated cable glands, fitting W 14, (non-armoured cable) are used; these are in accordance with the afore-mentioned DIN standards.

All non-metallic products will be equipped with plastic cable glands PG 13,5 or M20 (IP68)

If you have a non-standard requirement please include information about the external cable diameter with your order.

All exceptions are described in the design information.



Seal:

The sealing material used depends on the different operational conditions of the appliance and is chosen for durability.

Lampholder:

In general, unless otherwise indicated in the design information, all lights listed in Chapter 1 are supplied without lampholder. Where required, all lights can be supplied at additional charge with fixed lampholder.

Cylindrical Glasses/Globes:

Unless otherwise stated, all clear cylindrical glasses and structured globes are supplied with drip holes, whilst coloured cylindrical glasses and structured globes are generally supplied without drip holes. Where required, non-standard equipment can of course be supplied.

All lights which can be supplied with coloured glass are indicated in the design information.

Customisation:

The ability to produce customer-specific customisations and the speed with which these are manufactured illustrate the high level of performance of a competent partner.

Spare Parts:

All components of our products can be supplied as spare parts.

All measurements, weights and structural information given in the catalogue are approximate.

For structural purposes please ask for our detail drawings.

We reserve the right to modify technical specifications.

Contact us...!



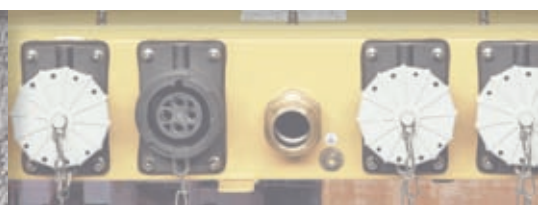






Product	Page
Anti-Dazzle Screens	82
Berth Lights	91
Brackets	66
Brackets flexible	66
Branching Boxes	93, 94
Bulkhead Flange	190
Bulkhead Stuffing Glands	190
Cable Glands Brass	165 - 170, 172, 173, 178
Cable Glands Internal Parts	176, 177
Cable Glands Polyamide	183
Cable Glands Stainless Steel	171
Cable Installation	159 - 195
Cable Junction Boxes Brass	114
Cable Junction Boxes Polycarbonat	114
Cable Passages for Walls	191
Cable Screw Connection	see Cable Glands
Cargo Lights	124
CCS	165
CEE	150 - 153
Ceiling Lights	69, 86
Container Sockets	141 - 157
Control Panel	38
Couplings	115 - 117, 124, 125, 129
CSI SNAPPY	146 - 149
CVKI	166
CVKS	167
Decklights	68
Docklights Red Cast Brass	64 - 65
Door Switch with Locking Equipment	134
Dutch Type Lights	76
Emergency Lights Fittings	208 - 209
Emergency Switch-Off-Button	121
Engineroom Lights	83, 84
Enlargement Brass	174, 188 - 189
Equipment for Electrical Installations	101 - 139
Flashlights	90
Floodlights Aluminium	42, 53, 54, 56, 57, 59
Floodlights Brass	58, 60, 61
Floodlights Red Cast Brass	62 - 65
Floodlights Stainless Steel	43 - 52, 204 - 205
Fluorescent Light Fittings	70 - 75, 206 - 209
Handsignallights	40, 41
Hazardous Areas	197 - 219
HNA	101 - 139
Ice Searchlight	34
Imprint	272

Product	Page
Information	265 - 272
Junction Box	106, 111 - 114, 215, 246, 258
Key Switch	122
Lighting for Hazardous Areas	211 - 214
Lighting for Submarines	234 - 235
Locknuts Brass	180, 181
Locknuts Polyamid	184
Lower Deck Lights	87 - 89
Membrane Nipples Plastic	185
Morse-Key	135
Navy	221 - 264
Navy Lights	237 - 245
Navy Wall Lights	236
Plugs	115 - 117, 124, 125, 129 - 131, 217
Plugs Brass	182
Plugs Polyamide	185
Push Buttons	120, 122, 123, 127, 136, 137, 250, 253
Reduction Brass	173, 186-187
Remote Control	38 - 39, 232 - 233
Rotary Switches	134
Screw Bushes Brass	175
Screw-In Tool for Cable Glands	192
Sealing Rings	
Searchlights	16 - 39, 226 - 233
Searchlights Remote Control Unit	39
Ship Lighting Mobil	92
Small Standard Lights	85
Sockets	110, 112, 116 - 118, 125 - 133, 217, 248, 251, 252, 254, 255
Socket-Boxes	116 - 119, 125 - 132, 217
Spare Parts - Container Sockets	154 - 155
Spare Parts - Equipment for Electrical Installations	138 - 139
Spare Parts - Hazardous Areas	218 - 219
Spare Parts - Lighting for Ships	95 - 99
Standard Lights	77 - 81
Suez Canal Searchlights	36 - 37
Switches	109, 120, 131, 134, 137, 138, 215, 247, 249, 257, 259
Swivelarm	66
Thick Walled Tube Cable Glands Stainless Steel, Aluminium	164
TRI-ONE	106 - 110, 246 - 259
Tube Lights	210, 241
Twin-Cable Glands	193
Typhon Switch	135



Terms and Conditions of Delivery and Payment

1. Scope

These Terms and Conditions shall be deemed valid unless otherwise agreed in writing. **Deviating and conflicting Terms and Conditions shall not be deemed binding by us.** This shall also apply if we do not explicitly raise objection or if we carry out delivery without complaint.

2. Conclusion of Agreement

- 2.1. All quotations submitted by us are subject to change at any time.
- 2.2. All agreements, telephone calls, faxes and declarations made in connection with the conclusion of this Agreement must be legally approved and signed off by us in writing in order to assume validity.
- 2.3. Terms and Conditions of Delivery and Payment defined by us shall apply exclusively, even in the event that the contractual partner submits or approves divergent Terms and Conditions. If deviating Terms and Conditions pertaining to the conclusion of this Agreement are negotiated, they must be drawn up in writing and must be approved by us.
- 2.4. As a rule, all documents, weight data, designs, etc. provided by us are deemed **only approximate**.
- 2.5. We shall reserve the right to effect changes in design, material and similar properties at any time before delivery, provided price, delivery and functionality are not impacted to the detriment of the customer.

3. Delivery timelines

- 3.1. Delivery timelines specified in our quotations are generally applicable unless an interim stock clearance is effected.
- 3.2. Unless otherwise specified in writing, our delivery timelines are **non-binding**.
- 3.3. The delivery period specified may be extended by events beyond our control, including delayed collection.
- 3.4. Partial delivery is permissible if deemed reasonable by the contractual partner.

4. Despatch, transfer of risk

- 4.1. In the absence of specific customer instructions, despatch is effected at our considered discretion, but without necessarily guaranteeing the cheapest mode of transportation.
- 4.2. Risk is transferred to the customer once the item is despatched – even in the event of a partial delivery. All transportation, including carriage-paid delivery, is deemed to be at the customer's risk. **Transit insurance is not provided by us.**

5. Prices

- 5.1. As a rule, **prices effective on the date of delivery** apply to all business transactions, even if the quotation specifies other prices. Delivery prices are, thus, aligned with current market prices. Please refer to the respective price list for an explanation of the calculation of metal surcharges.
- 5.2. Prices are quoted ex-works and exclude packaging charges. For orders accepted that are of at least EUR 500.00 net, we undertake delivery within the Federal Republic of Germany carriage paid to the receiving location exclusive of packaging carriage charges. For orders accepted that are of at least EUR 1000.00 net, we undertake delivery within the Federal Republic of Germany carriage paid to the receiving location inclusive of packaging but exclusive of carriage charges. As a rule, we accord consignments with an order value of below EUR 50.00 net a logistic lump sum of EUR 50.00.
- 5.3. All payments by customers are to be remitted to our bank without any deductions whatsoever at the latest **30 days from the date of invoice**. We guarantee a discount of 2% on all payments received within 8 days of the date of invoice (domestic conditions apply). Discounts are not applicable to payments made by means of a bill of exchange, nor in the event of payment arrears. Sums below EUR 30.00 are payable immediately net within 8 days of the invoice being received.
- 5.4. Payments made to our account by cheque and by bills of exchange shall be deemed received only upon the issue of valid credit advice pertinent to the transaction. All bank charges, collection charges and interest rate charges are to be borne by the customer.
- 5.5. In the event of non-adherence to payment timelines, we reserve the right to levy a preferential interest rate of **3%** over and above the prevailing statutory base interest rate, and at the minimum the debit interest rate calculated by our bank.
- 5.6. Customers may be issued a refund only in the case of undisputed or legally established claims, or if defects are glaringly obvious. The customer has the right to compensation only in the case of undisputed or legally established claims.
- 5.7. In the event of an obvious decline in the financial position of the customer, we reserve the right to withdraw from this Agreement if, upon our request, the customer fails to effect a security deposit within an appropriate time period.

6. Warranty for defects

- 6.1. We are liable for defects and for the absence of warranted properties of goods inasmuch as we undertake to rectify the defective goods or to replace them with non-defective goods within an appropriate time span. **The choice between rectification of the defect and replacement delivery shall be retained by us.**
- 6.2. Our seller's warranties apply on the precondition that the customer, if deemed a merchant according to the German Commercial Code (HGB), has lodged a specific and detailed written complaint with us in consequence of visible defects in accordance with § 377 HGB within 10 days of receipt of the goods in question. Complaints pertaining to defects arising thereafter are to be similarly lodged within the same time period, calculated from the time at which they are apprehended.
- 6.3. We are bound by warranty only if the delivered goods are properly installed and put into operation in complete accordance with our instructions.
- 6.4. The customer has the right to withdraw from this Agreement or to request a reduction in prices if we are not prepared or if we are not in a position to correct the defects in question or – above all – if the correction of the defects extends beyond a reasonable time span for reasons occasioned by us.
- 6.5. We are liable for damages only in the event of intent and gross negligence as defined by legal regulations. Liability is limited to gross negligence and typically foreseeable damages, provided no basic contractual obligations are impacted, or bodily damages incurred.
- 6.6. The warranty period effective for claims and rights in respect of defects – irrespective of the legal basis upon which they arise – is one year from delivery.
- 6.7. In the event of bespoke orders, we reserve the right to over-deliver or under-deliver by up to 10%. Returns are explicitly disallowed.

7. Retention of proprietary rights

- 7.1. The delivered goods remain our property until complete payment has been effected. The goods may then be re-sold by the customer in accordance with routine business norms. The customer is, however, to assign to us in advance all claims raised against a buyer or against a third party for the respective invoiced amount arising from the re-sale. The customer is authorised to collect these claims even after their assignment. At our request, the customer is to provide details of the amount of the assigned claim and of the debtor, to provide all information necessary for collection, to submit all associated documents to us immediately and to issue written notice of the assignment to the debtor, notwithstanding our right to issue written notice of the assignment to the debtor ourselves.
- 7.2. The customer is not entitled to transfer delivered goods to a third party as security, nor to pawn them.
- 7.3. In the event that the customer violates the Terms of this Agreement – in particular by delaying payment, we are entitled to re-possess the goods without necessarily issuing notice.
- 7.4. The customer is to inform us immediately of any attachment and other interventions or claims.
- 7.5. If the goods are re-sold in conjunction with other goods that are not ours, the customer's claim against the buyer for the amount agreed between us and the customer as the delivery price is deemed assigned to us upon cessation of the Agreement.
- 7.6. In the event that goods delivered are damaged owing to faulty installation, the customer cedes the resulting claim for replacement to us.

8. Place of fulfillment – place of jurisdiction

- 8.1. Place of fulfillment for all obligations derived from this Agreement is Hamburg, provided the contractual partner is deemed a merchant according to the German Commercial Code (HGB).
- 8.2. The exclusive place of jurisdiction shall be Hamburg, provided the contractual partner is deemed a merchant according to the German Commercial Code (HGB).
- 8.3. German legislation is applicable to the Agreement between the contractual parties with the exception of the reference rules of Private International Law and the UN Convention on Contracts for the International Sale of Goods.

9. Data protection

We reserve the right to process customer data within the parameters of prevailing data protection laws.

10. Final clause

Should a clause within these Terms and Conditions of Delivery and Payment become ineffective, the validity of the remaining provisions is to remain unaffected.

Updated: 2010



Imprint

KARL DOSE GMBH

Försterweg 73 - 77
22525 Hamburg
Deutschland / Germany

Phone: +49 (0)40 547322-0
Fax: +49 (0)40 547322-99
E-mail: sales@karl-dose.de
Website: www.karl-dose.com

Managing Directors:
Ullrich Dose, Detlef Rinne, Thorsten Marquardt

District Court of Hamburg
Commercial Register: HRB40225
VAT-No.: DE 118596146

Agency by: www.fritschpartners.de
www.gutsche.de
Print by: www.eurodruck.org
Art by Zolondek: www.hafeninszenierungen.de
Photos by: www.papkefoto.de
www.karl-dose.com