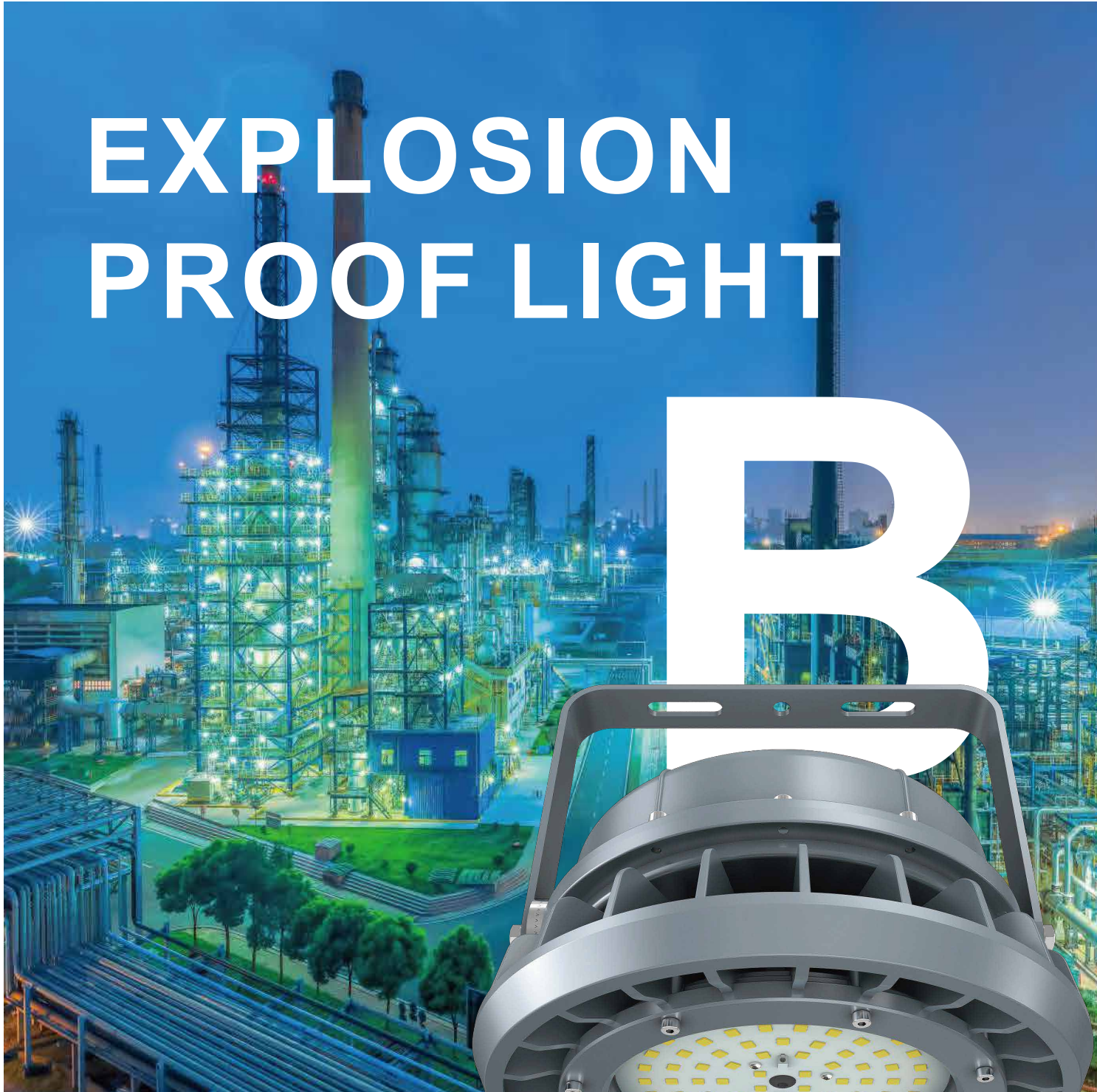


# EXPLOSION PROOF LIGHT

# B



20W/40W/60W/80W/100W/120W  
150W/200W/250W/300W/350W/400W

## B Series

 **NORTELCO**

Nortelco AS  
tel +47 2257 6100  
[www.nortelco.no](http://www.nortelco.no)

# >APPLICATIONS

## Oil and Gas industry

- All petroleum production and refining
- Petroleum loading and transportation
- Petroleum storage and retail
- LNG industry
- All mining operations and service

## Chemical industry

- All types of paint facilities
- Chemical production and storage

## Ocean, marine and aerospace field

- Ocean platform operation facilities and structure
- Aerospace clean room and production
- Ocean vessel operations

## Metal treatment

- Steel and aluminum factories
- Pumping stations in any environment
- Metal smelting, foundry and fabrication

## Food and alcohol industry

- Flour and fine particle production and storage
- Food and distilling production
- Alcohol industry

## Other high humidity, high dust, high temperature, vapor locations





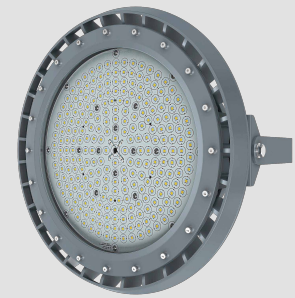
B2



B



B3



B4



## >EXPLOSION PROTECTION

### Marking ATEX(Zone 2)

II3 G Ex ec IIC T6...T3 Gc

II2 D Ex tb IIIC T85 ...T100 Db IP66

### Marking IECEx(Zone 2)

Ex ec IIC T6...T3 Gc

Ex tb IIIC T85 ...T100 Db IP66

### Marking UL844 (North American)

Class I, Division 2, Groups A, B, C, D

Class II, Division 1, Groups E, F, G

Class II, Division 2, Groups F, G

Class III

### Marine Marking

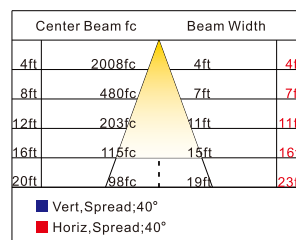
UL1598, UL1598A

ABS

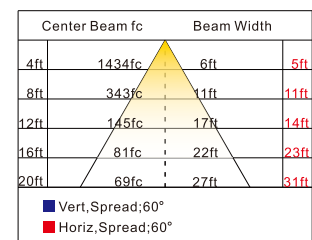
Other Rating

IP 66

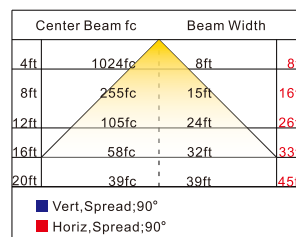
## >LIGHT DISTRIBUTION



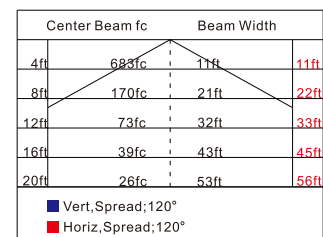
40D



60D



90D



120D

## >MATERIALS

- Housing: Copper-free aluminum
- Lens: Tempered glass
- Hardware: Stainless steel
- Mounting Bracket: Stainless steel

## >FEATURES

- Working Temperature: -40°C ~ +55°C.
- High quality SMT LED and Meanwell Driver.
- Heavy-duty and high impact resistance.
- Replaceable LED board and drivers.
- Integrated junction box for driver .
- Dimmable and battery back up function available.
- Marine rating powder coated finish treatment.
- Up to 5 years warranty .
- Various installation ways for different applications.
- Glass lens or polycarbonate lens to make different beam angles.



## >SPECIFICATION

Product Number	Wattage	ColorTemperature	Voltage	Lumens	Warranty	CRI	Emergency Time
EX-20W B2YZDA EX-40W B2YZDA	20W 40W	2200K-7000K	AC100-277V/DC12-48V	2800 5600	5 Years	70	3 Hours
EX-60W BYZDA EX-80W BYZDA	60W 80W	2200K-7000K	AC100-277V/DC12-48V AC200-480V	8400 11200	5 Years	70	3 Hours
EX-100W B3YZDA EX-120W B3YZDA EX-150W B3YZDA EX-200W B3YZDA	100W 120W 150W 200W	2200K-7000K	AC100-277V/DC12-48V AC200-480V	14000 16800 21000 28000	5 Years	70	3 Hours
EX-250W B4YZDA EX-300W B4YZDA EX-350W B4YZDA EX-400W B4YZDA	250W 300W 350W 400W	2200K-7000K	AC100-277V/DC12-48V AC200-480V	35000 42000 49000 56000	5 Years	70	3 Hours

“B,B2,B3,B4”=Product code.“Y”=D or N D:Dimmable or N: non-dimmable “Z”=CCT, from 2200-7000k, 22 for 2200k...70 for 7000K.

“D”=Beam angle, D40 for 40°, D60 for 60°, D90 for 90°, D120 for 120°

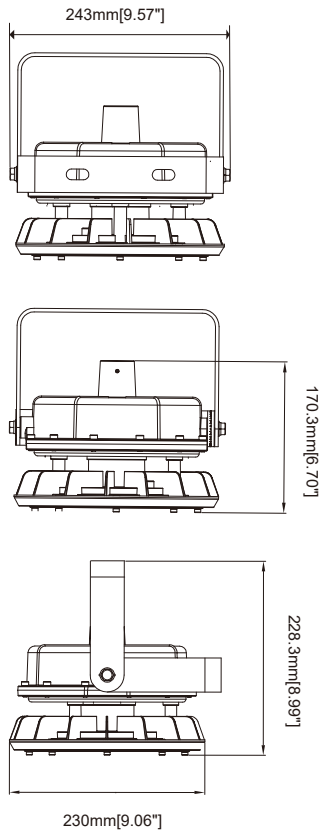
“A”=glass type. blank for flat glass, C for spherical glass.

## >PACKING INFORMATION

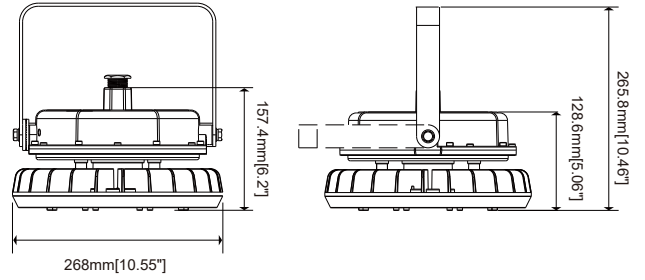
Model	Quantity/Carton	Length(cm)	Width(cm)	Height(cm)	Net weight(kg)	Gross weight(kg)
B2	1	36cm	35.4cm	26cm	3.5kg	5kg
B	1	38.6cm	33cm	22cm	4.4kg	5.5kg
B3	1	48cm	46cm	26.5cm	8.2kg	10.5kg
B4	1	53cm	53cm	30cm	18.8kg	21.5kg

# > DIMENSION

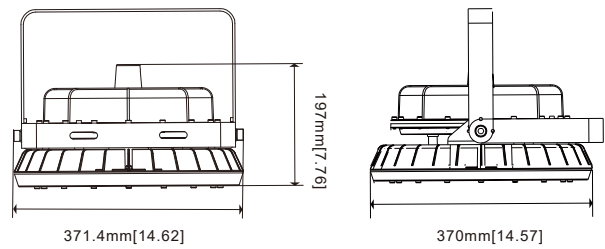
## B2



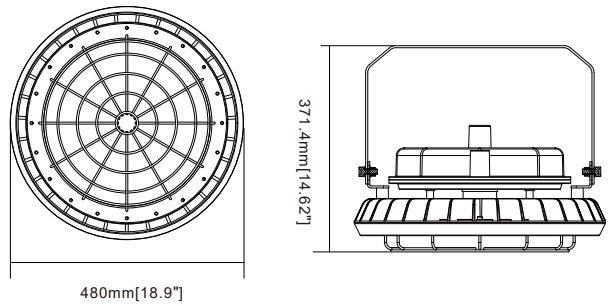
## B



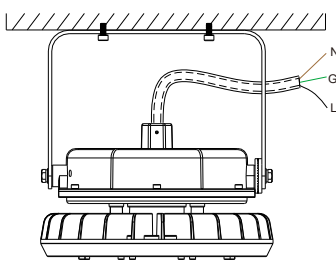
## B3



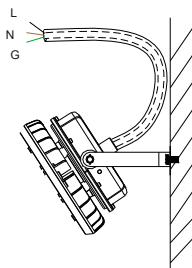
## B4



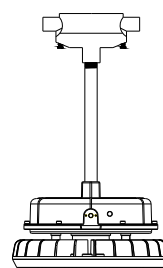
# > MOUNTING



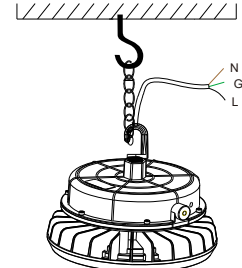
No.1: Ceiling Mounting



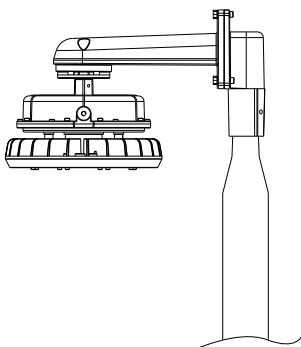
No.2: Wall Mount with U bracket



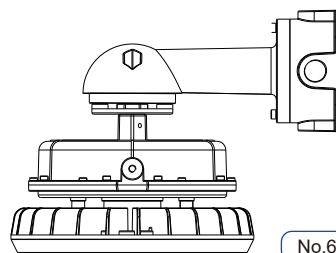
No.3: Pole Pendant



No.4: Hook Pendant



No.5: Stanchion Mounting



No.6: Wall Mount with junction box

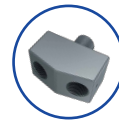
# >ACCESSORIES



• Model: Ex-Junction01  
Name: Junction Box  
Material: Aircraft Aluminum A383



• Model: EX-25PSupport  
Name: 25 Degree Pole Support  
Material: Aircraft Aluminum A383



• Model: Ex-D01  
Name: Pendant Direction Adapter  
Material: Aircraft Aluminum A383



Model: EX-WPipe  
Name: Winding Swing Pipe  
Material: Iron with Power Coating



• Model: Ex-25JSupport  
Name: 25° Arm to Junction box  
Material: Aircraft Aluminum A383



• Model: EX-90PSupport  
Name: 90 Degree Pole Support  
Material: Aircraft Aluminum A383



Model: EX-MArm  
Name: Surface Mounting Arm  
Material: Aircraft Aluminum A383



• Model: Ex-25JSupport  
Name: 25° Arm to Junction box  
Material: Aircraft Aluminum A356



• Model: Ex-DArm  
Name: Direct Mounting Arm  
Material: Aircraft Aluminum A383



Model: Ex-90JSupport  
Name: 90° Arm to Junction box  
Material: Aircraft Aluminum A383



• Model: Ex-ShadeB/B2/B3  
Name: Lamp Shade  
Material: Aluminum A1070



• Model: Ex-Conduit01  
Name: Metal Conduit  
Material: Stainless Steel and Aluminum



Model: Ex-90JSupport  
Name: 90° Arm to Junction box  
Material: Aircraft Aluminum A356



• Model: Ex-CshadeB/B2/B3  
Name: Cut off lamp shade  
Material: Aluminum A1070



Model: EX-Hook  
Name: Installation Hook  
Material: Aircraft Aluminum A383



Model: EX-SPipe  
Name: Winding Swing Pipe  
Material: Iron with Power Coating



Model: Ex-Chain  
Name: Pendant Chain  
Material: Stainless Steel S30400