

EXPLOSION PROOF LIGHT



20W/60W/80W/100W
150W/200W/250W/280W

C Series

 **NORTELCO**

Nortelco AS
tel +47 2257 6100
www.nortelco.no



● APPLICATIONS

Oil and Gas industry

- All petroleum production and refining
- Petroleum loading and transportation
- Petroleum storage and retail
- LNG industry
- All mining operations and service

Chemical industry

- All types of paint facilities
- Chemical production and storage

Ocean, marine and aerospace field

- Ocean platform operation facilities and structure
- Aerospace clean room and production
- Ocean vessel operations

Other high humidity, high dust, high temperature, vapor locations

Metal treatment

- Steel and aluminum factories
- Pumping stations in any environment
- Metal smelting, foundry and fabrication

Food and alcohol industry

- Flour and fine particle production and storage
- Food and distilling production
- Alcohol industry



C2



C



C3

EXPLOSION PROTECTION

Marking ATEX

II2 G Ex db IIB T6...T3 Gb

II2 D Ex tb IIIC T80°C...T195°C Db

Marking IECEx

Ex db IIB T6...T3 Gb

Ex tb IIIC T80°C...T195°C Db IP66

Marking UL844 (North American)

Class I, Division 1, Groups C,D

Class I, Division 2, Groups A,B,C,D

Class II, Division 1, Groups E,F,G

Class II, Division 2, Groups F,G

Class III

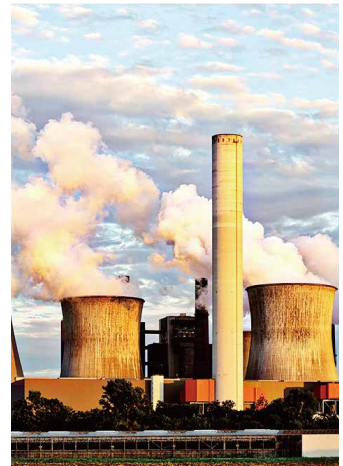
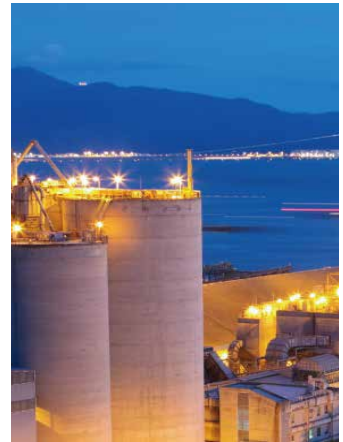
Marine Marking

UL1598, UL1598A

ABS

Other Rating

IP 66



MATERIALS

- Housing: Copper-free aluminum
- Lens: Tempered glass
- Hardware: Stainless steel
- Mounting Bracket: Stainless steel



FEATURES

- Working Temperature: -40°C ~ +60°C.
ATEX & IECEx (IC Solution): -40°C ~ +80°C.
- High quality SMT LED and Meanwell Driver.
- Heavy-duty and high impact resistance.
- Replaceable LED board and drivers.
- Integrated junction box for driver .
- Dimmable and battery back up function available.
- Marine rating powder coated finish treatment.
- Up to 5 years warranty.
- Emergency Battery back up .
- Various installation ways for different applications.
- Glass lens or polycarbonate lens to make various beam angles.



SPECIFICATION

Product Number	Wattage	ColorTemperature	Voltage	Lumens	Warranty	CRI	Emergency Time
EX-20W C2YZDA	20W	2200K-7000K	AC100-277V/DC12-48V	2800	5 Years	70	3 Hours
EX-40W C2YZDA	60W		AC200-480V	8400			
EX-60W C2YZDA	80W			11200			
EX-80W CYZDA	100W	2200K-7000K	AC100-277V/DC12-48V	14000	5 Years	70	3 Hours
EX-100W CYZDA	150W		AC200-480V	21000			
EX-120W C3YZDA	200W	2200K-7000K	AC100-277V/DC12-48V	28000	5 Years	70	3 Hours
EX-150W C3YZDA	250W		AC200-480V	35000			
EX-200W C3YZDA	280W			39200			

"C,C2,C3"=Product code."Y"=D or N D:Dimmable or N: non-dimmable "Z"=CCT, from 2200-7000k, 22 for 2200k...70 for 7000K.

"D"=Beam angle, D40 for 40°, D60 for 60°, D90 for 90°, D120 for 120°.

"A"=glass type. blank for flat glass, C for spherical glass.

PACKING INFORMATION

Model	Quantity/Carton	Length(mm)	Width(mm)	Height(mm)	Net weight(kg)	Gross weight(kg)
C2	1	470mm	470mm	345mm	14kg	16kg
C	1	550mm	520mm	360mm	17.4kg	19kg
C3	1	555mm	555mm	345mm	21kg	25kg

● LIGHT DISTRIBUTION

Center Beam fc	Beam Width
4ft	2008fc
8ft	480fc
12ft	203fc
16ft	116fc
20ft	98fc

■ Vert, Spread; 40°
■ Horiz, Spread; 40°

40D

Center Beam fc	Beam Width
4ft	1434fc
8ft	343fc
12ft	145fc
16ft	81fc
20ft	69fc

■ Vert, Spread; 60°
■ Horiz, Spread; 60°

60D

Center Beam fc	Beam Width
4ft	1024fc
8ft	255fc
12ft	105fc
16ft	58fc
20ft	39fc

■ Vert, Spread; 90°
■ Horiz, Spread; 90°

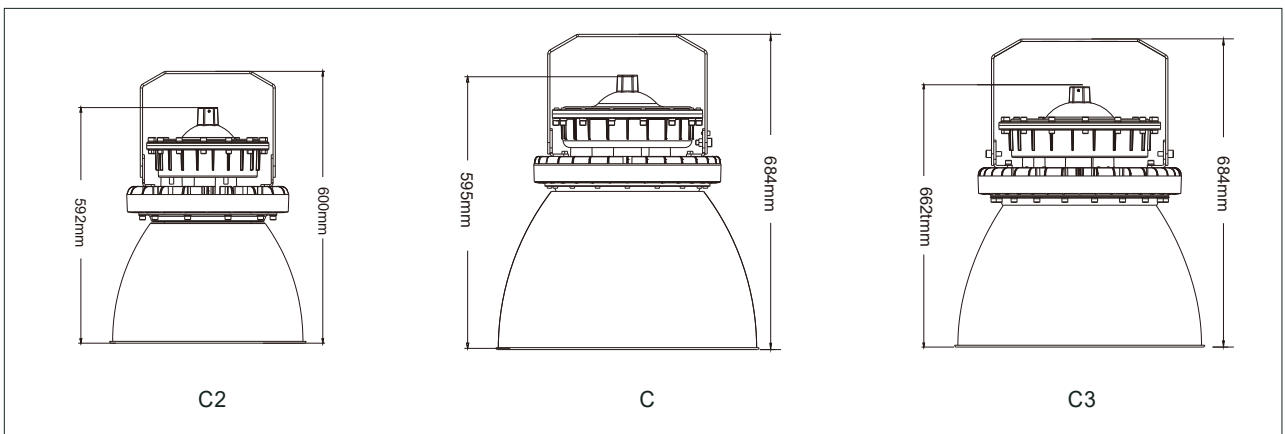
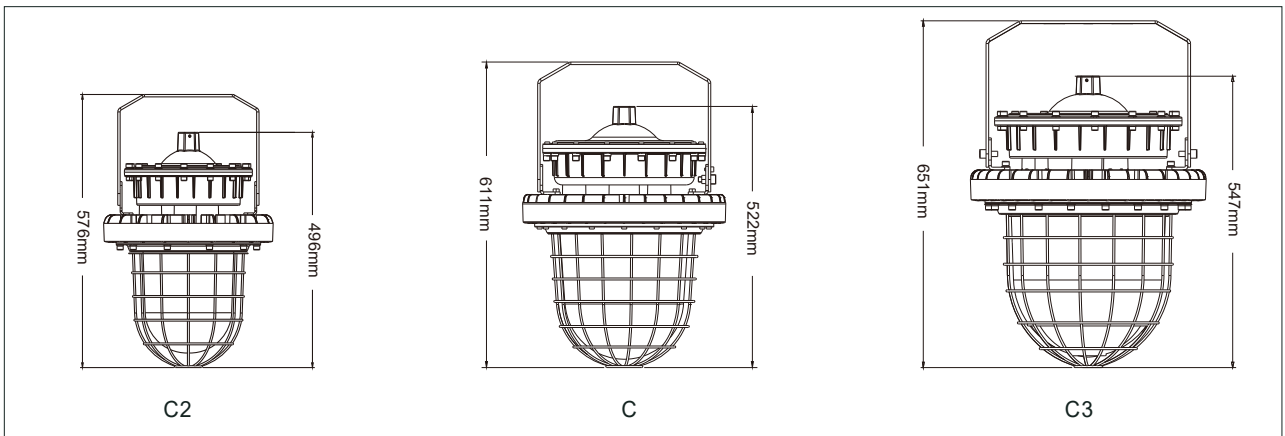
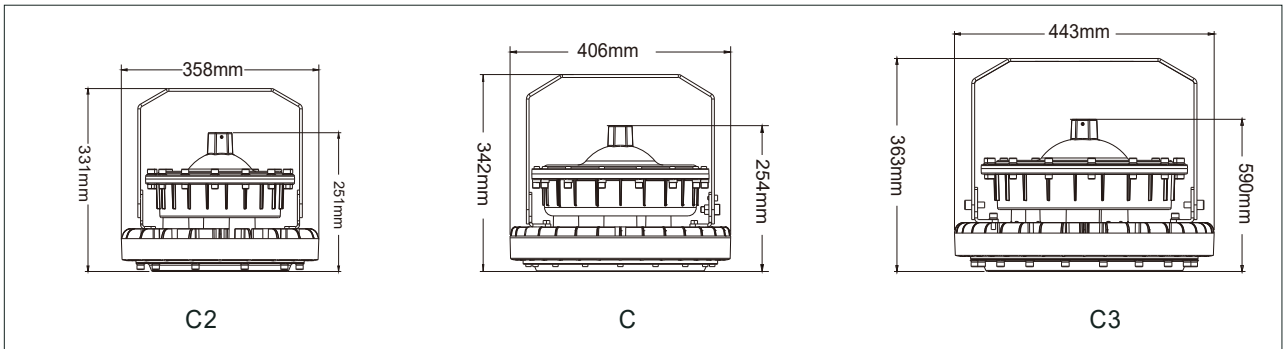
90D

Center Beam fc	Beam Width
4ft	683fc
8ft	170fc
12ft	73fc
16ft	39fc
20ft	26fc

■ Vert, Spread; 120°
■ Horiz, Spread; 120°

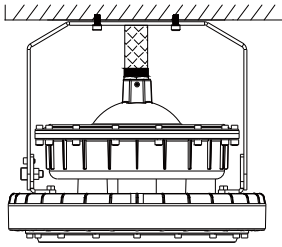
120D

● DIMENSION

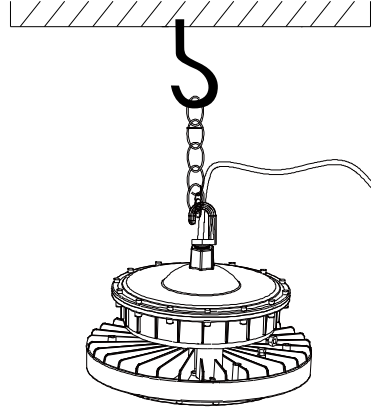


MOUNTING

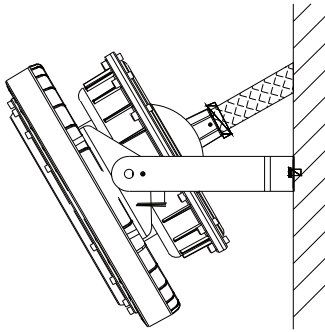
No.1: Ceiling Mounting



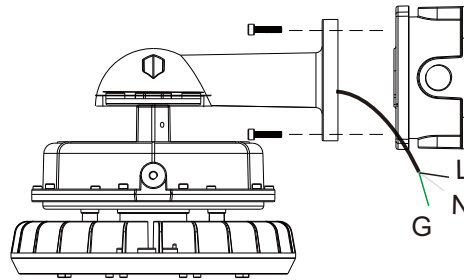
No.4: Hook Pendant Mounting



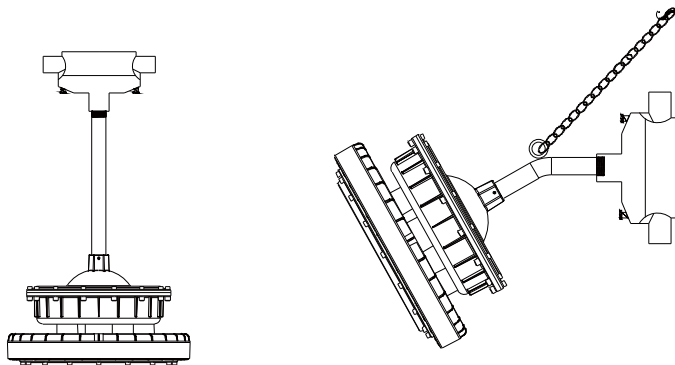
No.2: Wall Mounting



No.5: Wall Mounting to Junction Box



No.3: Pole Mounting



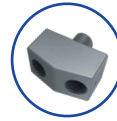
ACCESSORIES



• **Model: Ex-Junction01**
Name: Junction Box
Material: Aircraft Aluminum A383



• **Model: Ex-25PSupport**
Name: 25 Degree Pole Support
Material: Aircraft Aluminum A383



• **Model: Ex-D01**
Name: Pendant Direction Adapter
Material: Aircraft Aluminum A383



• **Model: Ex-WPipe**
Name: Winding Swing Pipe
Material: Iron with Power Coating



• **Model: Ex-25JSupport**
Name: 25° Arm with Junction Box
Material: Aircraft Aluminum A383



• **Model: Ex-90PSupport**
Name: 90 Degree Pole Support
Material: Aircraft Aluminum A383



• **Model: Ex-MArm**
Name: Surface Mounting Arm
Material: Aircraft Aluminum A383



• **Model: Ex-25ASupport**
Name: 25° Arm Support
Material: Aircraft Aluminum A356



• **Model: Ex-DArm**
Name: Direct Mounting Arm
Material: Aircraft Aluminum A383



• **Model: Ex-90JSupport**
Name: 90° Arm with Junction Box
Material: Aircraft Aluminum A383



• **Model: Ex-ShadeB/B2/B3**
Name: Lamp Shade
Material: Aluminum A1070



• **Model: Ex-Conduit01**
Name: Metal Conduit
Material: Stainless Steel and Aluminum



• **Model: Ex-90ASupport**
Name: 90° Arm Support
Material: Aircraft Aluminum A356



• **Model: Ex-CshadeB/B2/B3**
Name: Cut off lamp shade
Material: Aluminum A1070



• **Model: Ex-Hook**
Name: Installation Hook
Material: Aircraft Aluminum A383



• **Model: Ex-SPipe**
Name: Winding Swing Pipe
Material: Iron with Power Coating



• **Model: Ex-Chain**
Name: Pendant Chain
Material: Stainless Steel S30400