

DATASHEET

OBELUX AERODROME BEACON

ICAO Annex 14, 2013 6th Edition

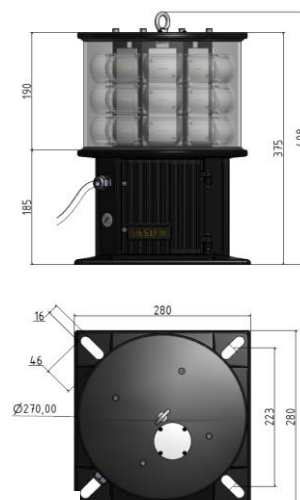
OBELUX
 AVIATION LIGHTS

Obelux Oy, Kutumotie 6 B, 00380 Helsinki FINLAND | The information in this document is subject to change without notice. © Obelux Oy 2014

WWW.OBELUX.COM

Optical characteristics

- ▶ Effective Intensity > 2 000cd
- ▶ Colour White
- ▶ Flash Sequence 20-30FPM
- ▶ Horizontal beam 360°
- ▶ Vertical beam 5 degrees



AERODROME BEACON

An aerodrome beacon is intended for use at night if one or more of the following conditions exist: a) aircraft navigate predominantly by visual means; b) reduced visibilities are frequent; or c) it is difficult to locate the aerodrome from the air due to surrounding lights or terrain. The aerodrome beacon is located on or adjacent to the aerodrome in an area of low ambient background lighting.

Specifications met

ICAO Annex 14, 2013, 6th Edition,
 5.3.3 Aeronautical Beacon,
 5.3.3.3 Aerodrome Beacon

Key Features

- ▶ Based on LED technology
- ▶ Doesn't require any additional controllers
- ▶ Infrared (850nm) incorporated for NVG compatibility
- ▶ Aluminium body and glass cover
- ▶ Height only 408mm, and weight 14kg
- ▶ Operating voltage 100-240VAC
- ▶ 5 year warranty- the longest in the industry

DATASHEET

OBELUX AERODROME BEACON

ICAO Annex 14, 2013 6th Edition

OBELUX
AVIATION LIGHTS

Electrical Characteristics

- ▶ Operating voltage 90-265V_{AC}
- ▶ Power consumption (average)
 - < 15W
- ▶ Recommended cables (Outdoor):
 - Power (L-N-PE): 3x1,5mm² or 3x2,5mm²
 - Control: Max. 5x2,5mm²

Mechanical Characteristics

- ▶ Painted marine grade aluminium body (C5MHigh)
- ▶ Glass cover
- ▶ Degree of protection IP66
- ▶ Operating temperature range -40...+55 °C
- ▶ 2x Cable gland M25 for 6-17 mm cable diameter
- ▶ Mounting 240x240mm, φ17mm
- ▶ Height 408 mm, diameter 270 mm
- ▶ Weight 14 kg

Control by Relay Signal

(DIP [1..3]=0)

Mode	IN1	IN2	IN3	IN4
Light OFF	0	0	0	0
100%	-	-	-	1
10%	-	-	1	0
3%	-	1	0	0
Auto dimming	1	0	0	0

1 = on

0 = off

off=open (=indicator LED is ON)

Auto dimming mode

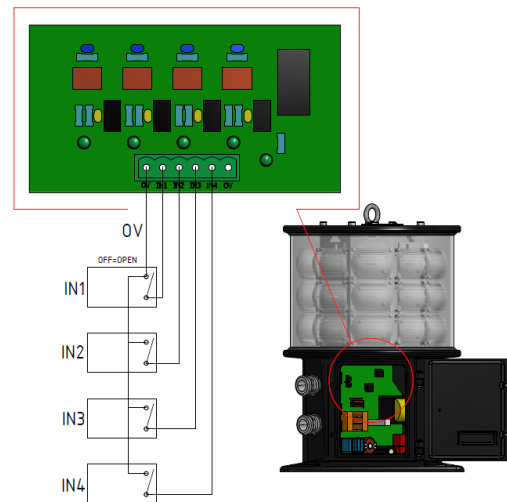
3% = Night (<50lx)

10% = Twilight (50 - 600lx)

100% = Day (>600lx)

Control by Dip Switches

Mode	DIP1	DIP2	DIP3
Manual operation (control by Relay Signal)	0	0	0
100%	0	0	1
10%	0	1	0
3%	0	1	1
Auto dimming	1	0	0



Location of control relays

Order code	Output	ICAO	Op. volt.	Infrared	Packing dimensions
OBX-ARB-A001	2 000cd	Aerodrome Beacon	90-265VAC	Yes	470x340x330, 16kg