

DATASHEET

Battery Backup / Power supply

For Obelux LED Aviation Obstruction Lights

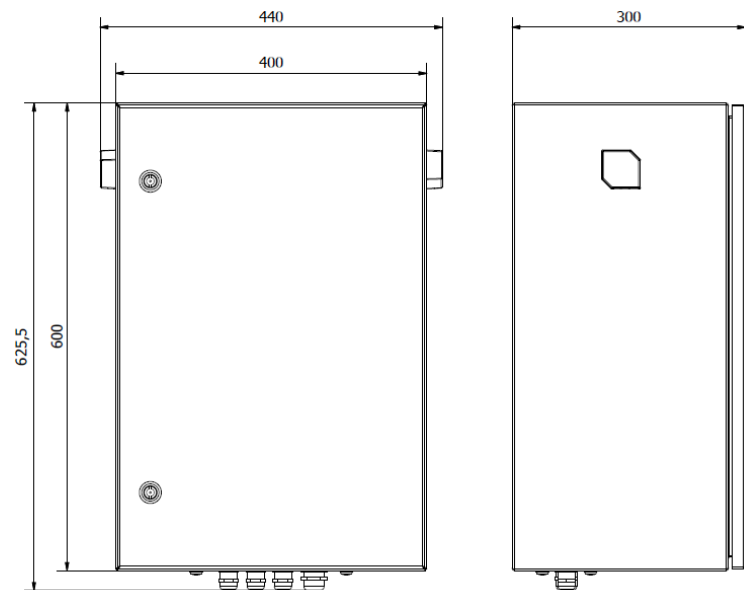
OBELUX
AVIATION LIGHTS

Obelux Oy, Kutumotie 6 B, 00380 Helsinki FINLAND | The information in this document is subject to change without notice. © Obelux Oy 2016

WWW.OBELUX.COM

Mechanical characteristics

- ▶ Design degree of protection: IP55
- ▶ Painted steel cabinet, coating RAL7035
- ▶ Weight without batteries: <27kg
- ▶ Weight with batteries: <69kg
- ▶ EMC Cable glands: 3 x M20 (6-13 mm cable diameter), 1 x M25 (11-17 mm cable diameter)
- ▶ Operating temperature range without batteries: -40°C to +65°C
- ▶ Operating temperature range with specified batteries -10°C to +50°C



Battery Backup/Power supply

Obelux UPS230-56 is AC/AC backup power unit. Air vents are provided for possible battery gas discharge.

Key Features

- ▶ 230VAC/230VAC backup power unit
- ▶ Input voltage 187 - 265VAC
- ▶ Output voltage 230VAC
- ▶ Battery type sealed GEL battery 12V, 56Ah (2 pcs)
- ▶ Operating temperature range -10°C to +50°C
- ▶ IP55 steel enclosure, painted steel, coating RAL7035

DATASHEET

Battery Backup / Power supply

For Obelux LED Aviation Obstruction Lights

OBELUX
AVIATION LIGHTS

Obelux Oy, Kutomotie 6 B, 00380 Helsinki FINLAND | The information in this document is subject to change without notice. © Obelux Oy 2016

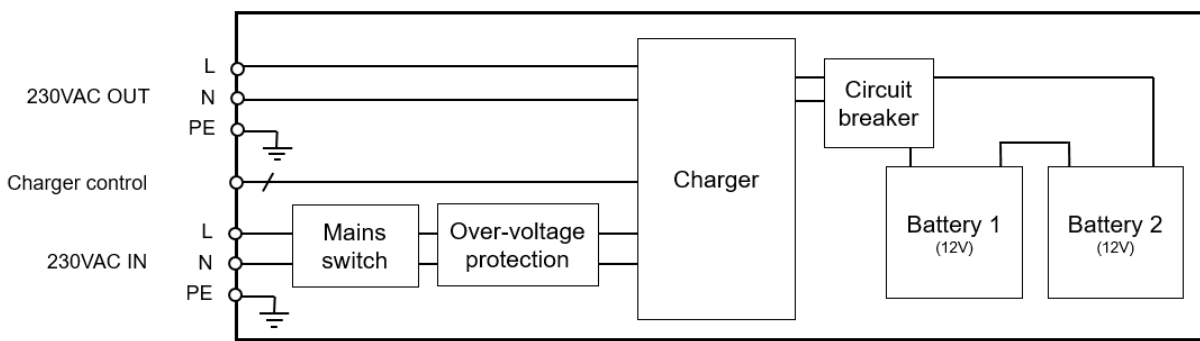
WWW.OBELUX.COM

Electrical characteristics

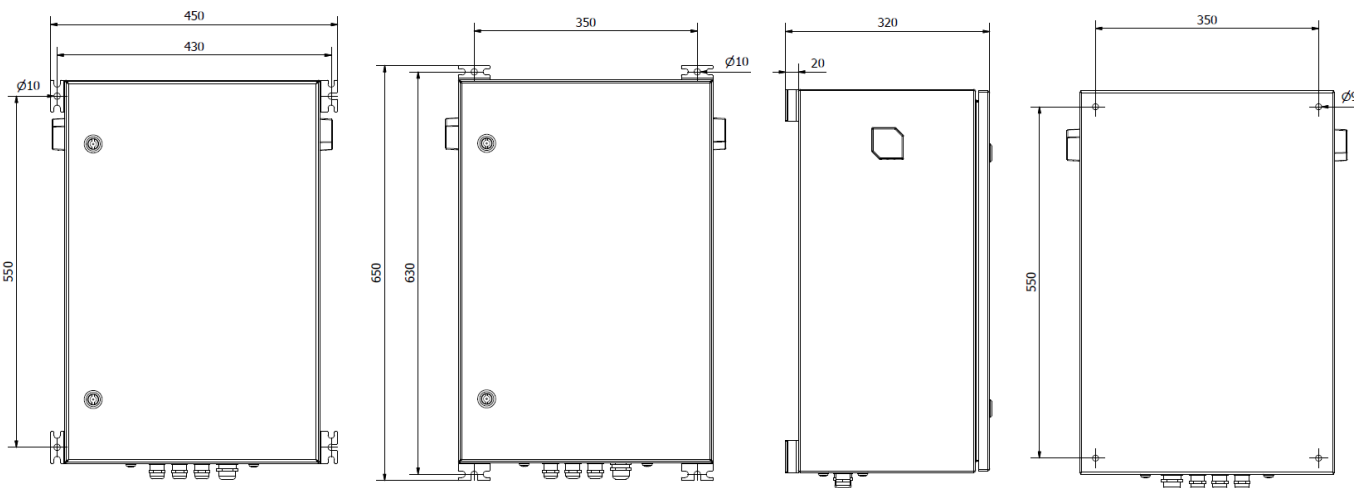
- ▶ Charger type: Victron Energy Multi 24/500/10
- ▶ Nominal input voltage 187-265VAC, 45-65Hz
- ▶ Output voltage 230VAC +/-2%, 50Hz+/-0.1%
- ▶ Battery charging current 10A
- ▶ Continuous output power at +25°C: 430W
- ▶ Peak output power 900W

Battery

- ▶ Battery type: Exide ES650 (2 pcs)
- ▶ Battery capacity 56Ah
- ▶ Battery weight 42kg (2pcs)



1 Block Diagram



2 Cabin dimensions

Order code	Input voltage	Output voltage	Cont. Output power	Battery capacity	Packing dimensions
UPS-230-56	187-265VAC	230VAC	430W	56Ah	TBD