

PRELIMINARY DATASHEET

GLOBAL CONTROLLER

For Obelux LED Aviation Obstruction Lights

OBELUX
AVIATION LIGHTS

Obelux Oy, Kutumotie 6 B, 00380 Helsinki FINLAND | The information in this document is subject to change without notice. © Obelux Oy 2016

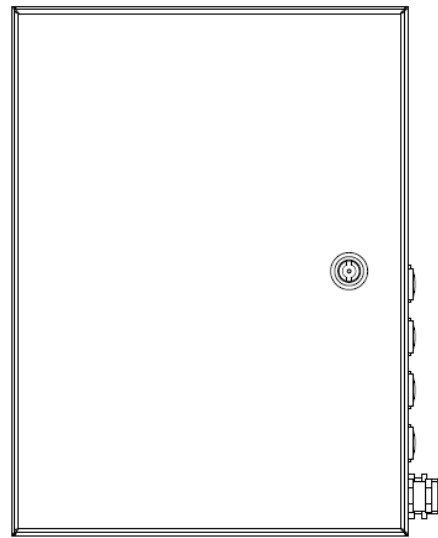
WWW.OBELUX.COM

Mechanical characteristics

- ▶ Design degree of protection: IP65
- ▶ Painted sheet metal cabinet (400x300x200mm)
- ▶ Weight < 10kg
- ▶ EMC cable glands
- ▶ Cable glands: 1 x M25 (11-17 mm cable diameter), 1 x M20 (6-13 mm cable diameter)
- ▶ Operating temperature range: -20°C to +40°C

Electrical characteristics

- ▶ Operating voltage: 230VAC
- ▶ Power consumption < 15W
- ▶ Serial ports (RS-485 and RS-232)
- ▶ Ethernet connection with RJ45 connector



Global Controller - Aviation Light Management System

Obelux Global Controller is used for controlling and monitoring a large number of Obelux Local Controllers. Global Controller maintains the system state and provides communications link towards customer over Ethernet / IP network (v4). Local Controllers make the interfacing with actual aviation obstruction lights. Visibility sensors can be connected to the system via Local Controllers.

Key Features

- ▶ Provides full system management for Obelux aviation lights
- ▶ Allows intensity adjustment (100% / 30% / 10%) with visibility sensor
- ▶ Easy to connect to SCADA or Ethernet/IP network by using standard RJ45 connector.
- ▶ Serial ports (RS-485 and RS-232) available as a standard
- ▶ Small and compact size
- ▶ Overvoltage protection
- ▶ Maintenance free system
- ▶ Can keep a record of system events on the site, providing the log files.

PRELIMINARY DATASHEET

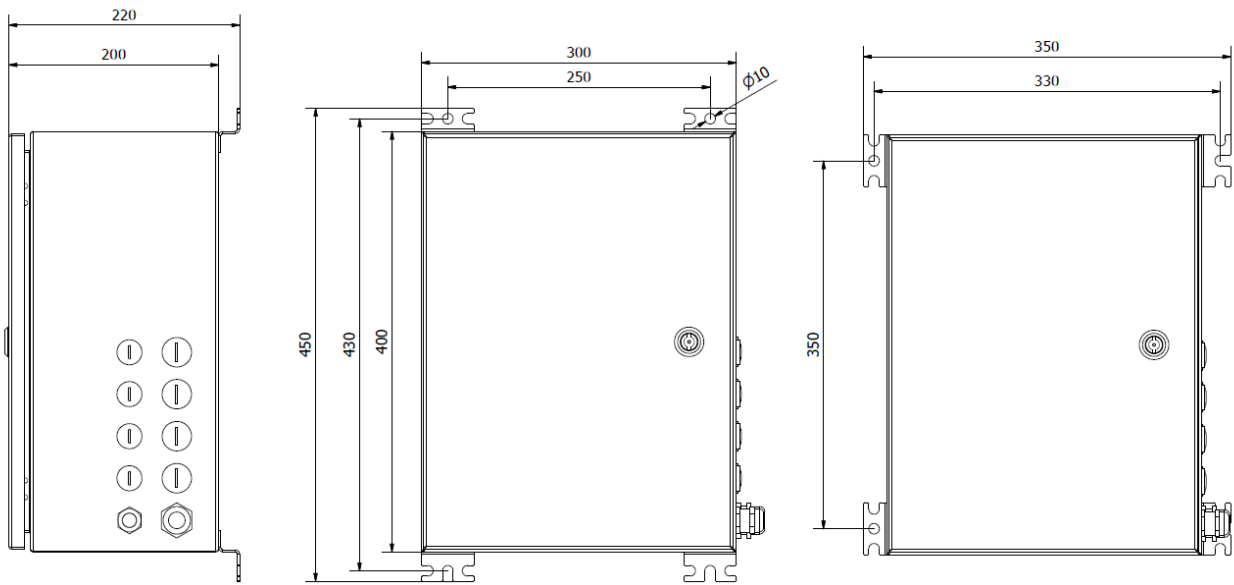
GLOBAL CONTROLLER

For Obelux LED Aviation Obstruction Lights

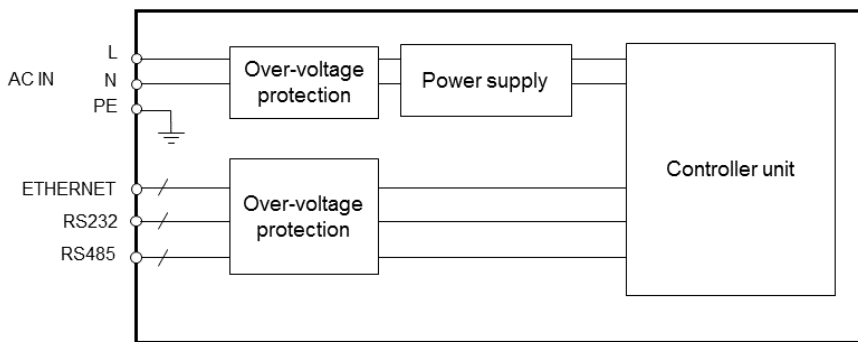
OBELUX
AVIATION LIGHTS

Obelux Oy, Kutomotie 6 B, 00380 Helsinki FINLAND | The information in this document is subject to change without notice. © Obelux Oy 2016

WWW.OBELUX.COM



1. Cabin dimensions



2. Block diagram of Global Controller

Order code	Serial ports (RS-485 and RS-232)	Operating voltage	Ethernet Connection (RJ-45) to SCADA	Packing dimensions
GC-230-E-S	Yes	230VAC	Yes	TBD