

DATASHEET

# OBELUX HELIPORT BEACON

ICAO Annex 14, 2013 4th Edition

**OBELUX**  
AVIATION LIGHTS

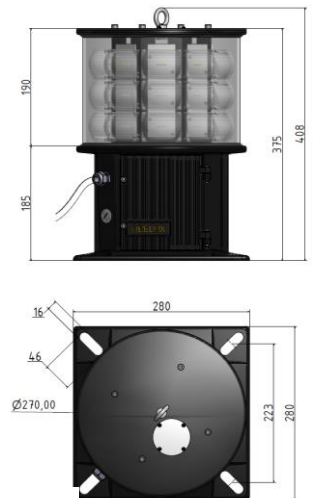
Obelux Oy, Kutumotie 6 B, 00380 Helsinki FINLAND | The information in this document is subject to change without notice. © Obelux Oy 2014

WWW.OBELUX.COM

## Optical characteristics

- ▶ Colour White
- ▶ Flash Characteristics 0.8 sec – 1.2 sec – 0.8 sec, flash duration 0.5 -2.0 milliseconds
- ▶ Horizontal beam 360°
- ▶ Vertical beam

Vertical angle	Min. Intensity (effective)
0...1.5°	1700cd
1.5...2.5°	2500cd
2.5...4°	1700cd
4...7°	750cd
7...10°	250cd



## HELIPORT BEACON

Heliport beacon provides a long range visual guidance and identification of the heliport. The heliport beacon is located on or adjacent to the heliport preferably at an elevated position and so that it does not dazzle a pilot at short range.

## Specifications met

ICAO Annex 14, 2013 4<sup>th</sup> Edition,  
Heliport Beacon

## Key Features

- ▶ Based on LED technology
- ▶ Doesn't require any additional controllers
- ▶ Incorporated photocell for automatic intensity adjustment
- ▶ Several intensity adjustment levels available
- ▶ Infrared (850nm) incorporated for NVG compatibility
- ▶ Aluminium body and glass cover
- ▶ Height only 408mm, and weight 14kg
- ▶ Operating voltage 100-240VAC
- ▶ 5 year warranty- the longest in the industry

DATASHEET

# OBELUX HELIPORT BEACON

ICAO Annex 14, 2013 4th Edition

**OBELUX**  
AVIATION LIGHTS

Obelux Oy, Kutomotie 6 B, 00380 Helsinki FINLAND | The information in this document is subject to change without notice. © Obelux Oy 2014

WWW.OBELUX.COM

## Electrical Characteristics

- ▶ Operating voltage 90-265V<sub>AC</sub>
- ▶ Power consumption (average)
  - < 15W
- ▶ Recommended cables (Outdoor):
  - Power (L-N-PE): 3x1,5mm<sup>2</sup> or 3x2,5mm<sup>2</sup>
  - Control: Max. 5x2,5mm<sup>2</sup>

## Mechanical Characteristics

- ▶ Painted marine grade aluminium body (C5MHigh)
- ▶ Glass cover
- ▶ Degree of protection IP66
- ▶ Operating temperature range -40...+55 °C
- ▶ 2x Cable gland M25 for 6-17 mm cable diameter
- ▶ Mounting 240x240mm, φ17mm
- ▶ Height 408 mm, diameter 270 mm
- ▶ Weight 14 kg

## Control by Relay Signal (DIP [1..3]=0)

Mode	IN1	IN2	IN3	IN4
Light OFF	0	0	0	0
100%	-	-	-	1
10%	-	-	1	0
3%	-	1	0	0
Auto dimming	1	0	0	0

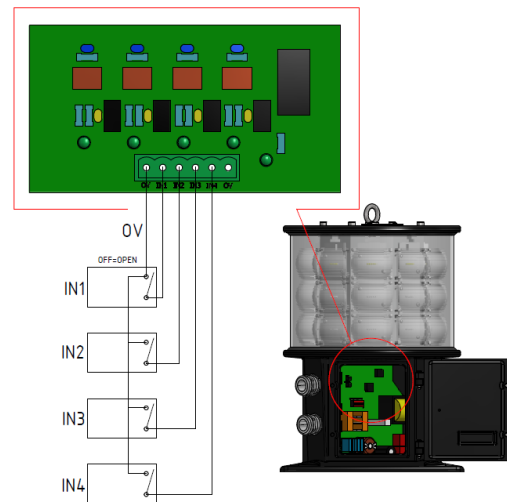
1 = on  
0 = off  
off=open (=indicator LED is ON)

### Auto dimming mode

3% = Night (<50lx)  
10% = Twilight (50 - 600lx)  
100% = Day (>600lx)

## Control by Dip Switches

Mode	DIP1	DIP2	DIP3
Manual operation (control by Relay Signal)	0	0	0
100%	0	0	1
10%	0	1	0
3%	0	1	1
Auto dimming	1	0	0



Location of control relays

Order code	Output	ICAO	Op. volt.	Infrared	Packing dimensions
OBX-HB-ACW-001	2 500cd	Heliport Beacon	90-265VAC	Yes	470x340x330, 16kg