

High-Intensity 50 000 cd

ICAO TraFi HI 50 000cd
ICAO MI Type B/C 2 000cd

OBELUX
AVIATION LIGHTS

Obelux Oy, Kutomotie 6 B, 00380 Helsinki FINLAND | The information in this document is subject to change without notice. © Obelux Oy 2019

WWW.OBELUX.COM

Optical characteristics

- ▶ 50 000 cd @ Day
- ▶ 10 000 cd @ Twilight
- ▶ 2 000 cd @ Night
- ▶ Colour aviation WHITE and RED
- ▶ NVG compliant infrared (850nm)
- ▶ Horizontal beam 360°
- ▶ Vertical beam 3°



High-Intensity 50 000 cd LED Aviation Obstruction Lights

Obelux high-intensity stand-alone white 50 000cd and medium-intensity Red 2 000cd model is used for marking tall structures, such as wind turbines, transmission masts, chimneys, broadcast masts, etc. The product offers unique features such as incorporated fault monitoring, photocell, GPS synchronization, and it supports both stand-alone and Modbus operation as a part of Obelux aviation light system network.

Specifications met

ICAO International Standards and Recommended Practices:
Aerodromes Annex 14 Volume 1,
7th Edition, July 2016, Chapter 6:
Medium-intensity Type B/C.

Finnish Civil Aviation Authority, TraFi

Key Features

- ▶ Based on LED technology
- ▶ 50 000 cd WHITE flashing and 2 000 cd RED fixed or flashing
- ▶ Supports both stand-alone and Modbus operations
- ▶ Suitable for Offshore environment
- ▶ Incorporated GPS synchronisation
- ▶ Adjustable luminous output levels 10%, 30%, and 100%
- ▶ Incorporated photocell and fault monitoring
- ▶ Hot start feature for radar controlled systems
- ▶ Design lifetime more than 20 years
- ▶ 5-year warranty- the longest in the industry

High-Intensity 50 000 cd

ICAO TraFi HI 50 000cd
ICAO MI Type B/C 2 000cd

OBELUX
AVIATION LIGHTS

Obelux Oy, Kutomotie 6 B, 00380 Helsinki FINLAND | The information in this document is subject to change without notice. © Obelux Oy 2019

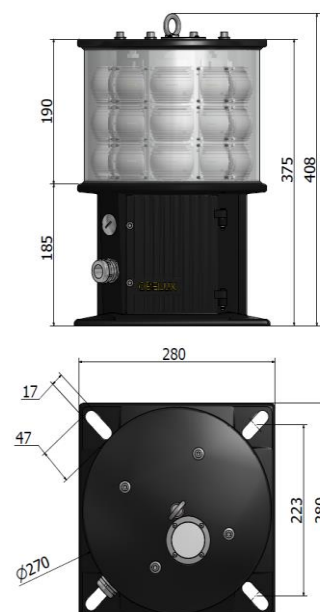
WWW.OBELUX.COM

Electrical Characteristics

- ▶ Operating voltage (ACW): 90-265V_{AC}, 50Hz / 60Hz ± 6%
- ▶ Operating voltage (DC): 20-60V_{DC}
- ▶ Flash rates: 20/30/40/60 fpm
- ▶ Meets standards
 - EMC (Emissions): EN 61000-6-4
 - EMC (Immunity): EN 61000-6-2
- ▶ Power consumption for ACW versions
 - 40W @ Day (WHITE, 40 fpm)
 - 8W @ Night (WHITE, 40 fpm)
 - 10W @ Night (WHITE+IR, 40 fpm)
 - 8W @ Night (RED, 40 fpm)
 - 11W @ Night (RED+IR, 40 fpm)
 - 25W @ Night (RED, fixed)
 - 30W @ Night (RED+IR, fixed)
- ▶ Recommended cables (Outdoor) for ACW versions:
 - Power (L-N-PE): 3x1,5mm² or 3x2,5mm²
 - Data: CAT 6
 - Alarm: CAT 6, 3x1,5mm² or 3x2,5mm²
 - Power + Alarm: 6x1,5mm² or 6x2,5mm²
- ▶ Terminals can be used to distribute power and data to another light head (6 core cable must be used).

Mechanical Characteristics

- ▶ Painted marine grade aluminium body (C5MHigh)
- ▶ Glass cover
- ▶ Degree of protection IP66
- ▶ Operating temperature range -40...+55 °C
- ▶ Mounting 240x240mm, φ17mm
- ▶ Height 408 mm, diameter 270 mm
- ▶ Weight 14 kg



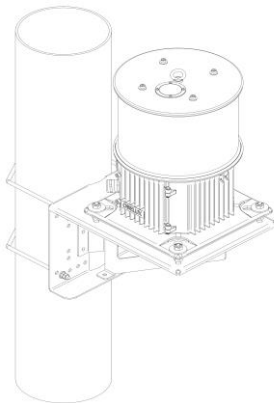
Order code	Output	ICAO	Op. volt.	GPS synch	Infrared	CCV	Photocell and Fault monitoring	Packing dimensions (mm)
HID-ACWGAM	50 000cd	HI+Type B/C	90-265VAC	Yes	No	No	Yes	460x330x330, 15,5kg
HID-ACWIRGAM	50 000cd	HI+Type B/C	90-265VAC	Yes	Yes	No	Yes	460x330x330, 15,5kg
HID-ACWCCVGAM	50 000cd	HI+Type B/C	90-265VAC	Yes	No	Yes	Yes	460x330x330, 15,5kg
HID-ACWCCVIRGAM	50 000cd	HI+Type B/C	90-265VAC	Yes	Yes	Yes	Yes	460x330x330, 15,5kg
HID-DCGAM	50 000cd	HI+Type B/C	20-60VDC	Yes	No	No	Yes	460x330x330, 15,5kg
HID-DCIRGAM	50 000cd	HI+Type B/C	20-60VDC	Yes	Yes	No	Yes	460x330x330, 15,5kg
HID-DCCVGAM	50 000cd	HI+Type B/C	20-60VDC	Yes	No	Yes	Yes	460x330x330, 15,5kg
HID-DCCVIRGAM	50 000cd	HI+Type B/C	20-60VDC	Yes	Yes	Yes	Yes	460x330x330, 15,5kg

High-Intensity 50 000 cd

ICAO TraFi HI 50 000cd
ICAO MI Type B/C 2 000cd

OBELUX
AVIATION LIGHTS

Available mounting set as an option



Obelux MS-MIV1001

Mounting set for wall mounting and for 60-200mm tubes.

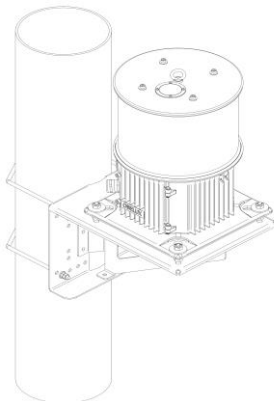
This mounting set includes:

- ▶ 2 pcs U-bolt 60-100
- ▶ 2 pcs U-bolt 100-200
- ▶ 8 pcs M8 hex nut ISO 4161
- ▶ 8 pcs M8 hex nut ISO 4032
- ▶ 8 pcs M10 hex nut ISO 4032
- ▶ 4 pcs M10 hex nut ISO 4161
- ▶ 4 pcs washer DIN 9021 - 13

All parts are AISI304 acid-proof stainless steel.

More detailed mechanical data: see MS-MIV1001 datasheet

▶ Order Code MS-MIV1001



Obelux MS-MIV1002

Mounting set for wall mounting and for 60-200mm tubes.

This mounting set includes:

- ▶ 2 pcs U-bolt 60-100
- ▶ 2 pcs U-bolt 100-200
- ▶ 8 pcs M8 hex nut ISO 4161
- ▶ 8 pcs M8 hex nut ISO 4032
- ▶ 8 pcs M10 hex nut ISO 4032
- ▶ 4 pcs M10 hex nut ISO 4161
- ▶ 4 pcs washer DIN 9021 - 13

All parts are AISI316 acid-proof stainless steel.

More detailed mechanical data: see MS-MIV1002 datasheet

▶ Order Code MS-MIV1002