

LIT Low-Intensity Tower Light Series

ICAO Low-intensity Type A 10 cd
 ICAO Low-intensity Type B and Type E 32 cd
 Low-intensity 50 cd
 Low-intensity 70 cd

OBELUX
 AVIATION LIGHTS

WWW.OBELUX.COM

Obelux Oy, Kutomotie 6 B, 00380 Helsinki FINLAND | The information in this document is subject to change without notice. © Obelux Oy 2019

Optical characteristics

- ▶ 10 cd Type A
- ▶ 32 cd Type B fixed
- ▶ 32 cd Type E flashing
- ▶ 50 cd for the Netherlands
- ▶ Colour aviation RED
- ▶ NVG compliant infrared (850nm)
- ▶ According to ICAO Standards and Recommended Practices

Specifications met

ICAO International Standards and Recommended Practices:
 Aerodromes Annex 14 Volume 1,
 8th Edition, July 2018, Chapter 6:
 Low-intensity Type A/B/E. Chapter
 6.2.4 Wind turbines

FAA Advisory Circular
 AC 150/5345-43J:
 Specification for Obstruction Lighting
 Equipment, 3/11/2019
 FAA L-810, L-810(F)

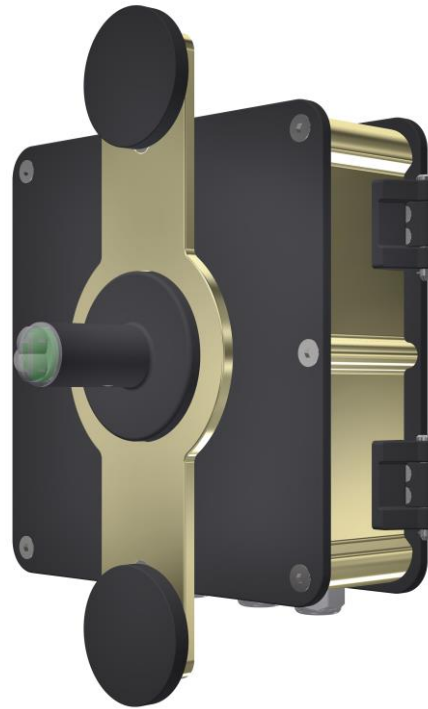
Einordnung als Hindernisfeuer
 Erweiterte Spezifikation gemäß
 Allgemeine Verwaltungsvorschrift zur
 Kennzeichnung von
 Luftfahrthindernissen vom 26.08.2015
 (GERMANY)

Finnish Civil Aviation Authority,
 Traficom (FINLAND)

Transportstyrelsen TSFS 2010:155
 (TSFS 2013:9, TSFS 2016:95, TSFS
 2019:27) (SWEDEN)

Lufftårstilsynet FOR-2014-07-15-980
 (NORWAY)

Ministerie van Infrastructuur en Milieu
 (lage intensiteit), 30.9.2016
 (NETHERLANDS)



LIT Low-Intensity Tower Light series

LED Aviation Obstruction Lights

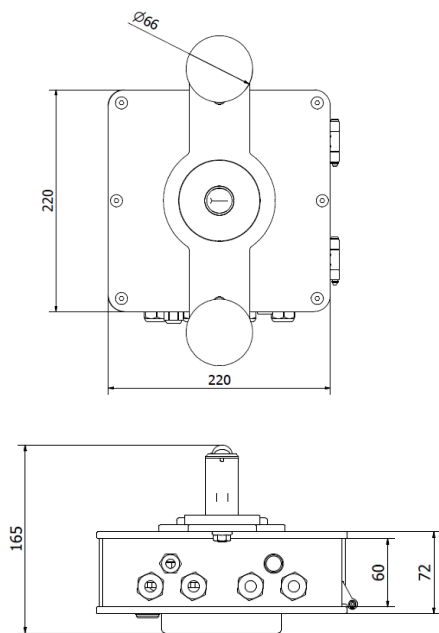
LIT series is Obelux's unique design to mark intermediary levels on wind turbines. The light is installed from inside the tower through extremely small hole. All maintenance and replacement work can be done from inside the tower which allows savings in case of maintenance or repair is needed.

Key Features

- ▶ Based on LED technology
- ▶ Suitable for Offshore environment
- ▶ "Through-the-wall" tower marking solution; i.e. pin light
- ▶ Supports both stand-alone and RS-485 Modbus operations
- ▶ Built-in photocell
- ▶ Built-in fault monitoring
- ▶ Can also be controlled with voltage signals
- ▶ Design lifetime more than 20 years
- ▶ 5-year warranty
- ▶ Option for 10-year warranty, the longest in the industry

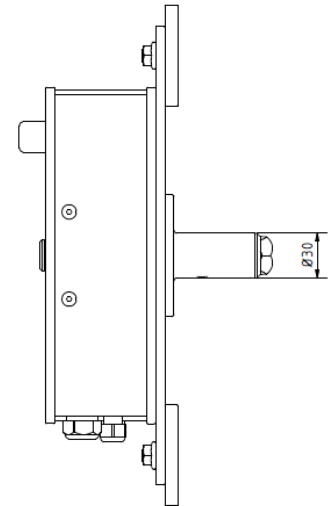
Electrical Characteristics

- ▶ AC models: Nominal 115 or 230 VAC, 50Hz / 60Hz ± 6%
- ▶ DC models: DC voltage range: 10 - 60 VDC
- ▶ Rated current: ≤ 1A
- ▶ Built-in overvoltage protection.
- ▶ Power consumption starting from 2W upwards
- ▶ Alarm relay in all versions. Dry Contact 250VAC (8A) or 60VDC (0.75A)
- ▶ RS-485 ModBUS (isolated) communication versions available
- ▶ Lights can be daisy-chained (both power and data)
- ▶ Overvoltage Protection level: class III -IEC61643-11
- ▶ Control voltage signal option: 3-55VDC for IR and/or RED



Mechanical Characteristics

- ▶ Pin size
 - Ø18mm x 50mm (diameter x length): ordering code example LIT10-AC230-IR-50C
 - Ø30mm x 50mm (diameter x length): ordering code example LIT10-AC230-IR-50D
 - Other tube lengths also available on request



- ▶ Operating temperature range -40...+55 °C
- ▶ IP66 protection degree
- ▶ Marine-grade aluminum
- ▶ Rubber (EPDM) sealing between Tower light and the wall structure.
- ▶ Spirit level inside to assist mounting
- ▶ Mechanical impact resistance IK05 (according to

Order code	Output	Specification	Operating voltage	Control Signal	Infrared	Photocell	Alarm Relay	RS-485 ModBus
LIT10-AC230-IR-50D-X-X	10 cd	Type A	230 VAC	Option	Yes	Option	Yes	Option
LIT10-DC-IR-50D-X-X	10 cd	Type A	10-60 VDC	Option	Yes	Option	Yes	Option
LIT10-AC230-50D-X-X	10 cd	Type A	230 VAC	Option	No	Option	Yes	Option
LIT10-DC-50D-X-X	10 cd	Type A	10-60 VDC	Option	No	Option	Yes	Option
LIT10-AC230-50C-X-X	10 cd	Type A	230 VAC	Option	No	Option	Yes	Option
LIT10-DC-50C-X-X	10 cd	Type A	10-60 VDC	Option	No	Option	Yes	Option
LIT32-AC230-IR-50D-X-X	32 cd	Type B/E	230 VAC	Option	Yes	Option	Yes	Option
LIT32-DC-IR-50D-X-X	32 cd	Type B/E	10-60 VDC	Option	Yes	Option	Yes	Option
LIT32-AC230-50D-X-X	32 cd	Type B/E	230 VAC	Option	No	Option	Yes	Option
LIT32-DC-50D-X-X	32 cd	Type B/E	10-60 VDC	Option	No	Option	Yes	Option
LIT32-AC230-50C-X-X	32 cd	Type B/E	230 VAC	Option	No	Option	Yes	Option
LIT32-DC-50C-X-X	32 cd	Type B/E	10-60 VDC	Option	No	Option	Yes	Option
LIT50-AC230-IR-50D-X-X	50 cd		230 VAC	Option	Yes	Option	Yes	Option
LIT50-DC-IR-50D-X-X	50 cd		10-60 VDC	Option	Yes	Option	Yes	Option
LIT50-AC230-50D-X-X	50 cd		230 VAC	Option	No	Option	Yes	Option
LIT50-DC-50D-X-X	50 cd		10-60 VDC	Option	No	Option	Yes	Option
LIT50-AC230-50C-X-X	50 cd		230 VAC	Option	No	Option	Yes	Option
LIT50-DC-50C-X-X	50 cd		10-60 VDC	Option	No	Option	Yes	Option
LIT70-AC230-IR-50D-X-X	70 cd		230 VAC	Option	Yes	Option	Yes	Option
LIT70-DC-IR-50D-X-X	70 cd		10-60 VDC	Option	Yes	Option	Yes	Option
LIT70-AC230-50D-X-X	70 cd		230 VAC	Option	No	Option	Yes	Option
LIT70-DC-50D-X-X	70 cd		10-60 VDC	Option	No	Option	Yes	Option

Also available with **115 VAC**. Ordering code example LIT32-AC115-IR-50D (230 →115)

Options:

X-X[-10]:

{ } = Without any factory-installed option

M = RS-485 ModBus

C = Control Voltage

P = Photocell

10 = 10-year warranty

Ordering code example: LIT10-AC230-IR-50D-M-C-10