

# MEDIUM-INTENSITY Type A+B/C

ICAO MI Type A 20 000cd  
ICAO MI Type B/C 2 000cd

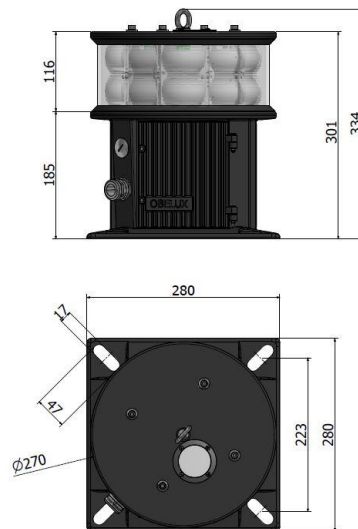
**OBELUX**  
AVIATION LIGHTS

Obelux Oy, Kutomotie 6 B, 00380 Helsinki FINLAND | The information in this document is subject to change without notice. © Obelux Oy 2019

WWW.OBELUX.COM

## Optical characteristics

- ▶ 20 000cd WHITE / 2 000cd WHITE
- ▶ 20.000cd WHITE / 2.000cd RED
- ▶ RED dimmable 200cd
- ▶ Colour aviation WHITE and RED
- ▶ NVG compliant infrared (850nm) as an option
- ▶ Horizontal beam 360°
- ▶ Vertical beam >3°



## Medium-Intensity White and Red Dual or White only 20 000cd

LED Aviation Obstruction Lights

Obelux medium-intensity stand-alone 20 000cd White and Red Dual model or White only model are used for marking tall structures, such as wind turbines, transmission masts, chimneys, broadcast masts, etc. The product offers unique features such as possibility to be configured as Medium Intensity white only or dual, i.e. white and red, incorporated fault monitoring, photocell, GPS synchronization, infrared and support for both stand-alone and Modbus operation as a part of Obelux aviation light system network.

## Specifications met

ICAO International Standards and Recommended Practices:  
Aerodromes Annex 14 Volume 1,  
7th Edition, July 2016, Chapter 6:  
Medium-intensity Type A.  
Medium-intensity Type B/C.

nach Nr. 28 der Allgemeinen  
Verwaltungsvorschrift zur  
Kennzeichnung von  
Luftfahrthindernissen (AVV  
Kennzeichnung), Germany

Feux de balisage d'obstacle, DGAC,  
STAC, France

## Key Features

- ▶ Based on LED technology
- ▶ 20 000 cd WHITE flashing and RED fixed or flashing
- ▶ Supports both stand-alone and Modbus operations
- ▶ Suitable for Offshore environment
- ▶ Incorporated GPS synchronisation
- ▶ Infrared
- ▶ Adjustable luminous output levels 10%, 30%, and 100%
- ▶ Incorporated photocell and fault monitoring
- ▶ Hot start feature for radar controlled systems
- ▶ Design lifetime more than 20 years
- ▶ 5-year warranty - the longest in the industry

# MEDIUM-INTENSITY Type A+B/C

ICAO MI Type A 20 000cd  
ICAO MI Type B/C 2 000cd

**OBELUX**  
AVIATION LIGHTS

Obelux Oy, Kutomotie 6 B, 00380 Helsinki FINLAND | The information in this document is subject to change without notice. © Obelux Oy 2019

WWW.OBELUX.COM

## Electrical Characteristics

- ▶ Operating voltage (AC):  
Nominal 100-240V<sub>AC</sub> ± 10%, 50Hz / 60Hz ± 6%  
(Range 90-265V<sub>AC</sub>)
- ▶ Operating voltage (DC): 20-60V<sub>DC</sub>
- ▶ Flash rates: 20/30/40/60 fpm
- ▶ Meets standards  
EMC (Emissions): EN 61000-6-4  
EMC (Immunity): EN 61000-6-2
- ▶ Power consumption for ACW versions
  - 14W @ Day (WHITE, 40 fpm)
  - 3W @ Night (WHITE, 40 fpm)
  - 4,5W @ Night (WHITE+IR, 40 fpm)
  - 8 W @ Night (RED, 40 fpm)
  - 10W @ Night (RED+IR, 40 fpm)
  - 25W @ Night (RED, fixed)
  - 30W @ Night (RED+IR, fixed)
- ▶ Recommended cables (Outdoor) for ACW versions:
  - Power (L-N-PE): 3x1,5mm<sup>2</sup> or 3x2,5mm<sup>2</sup>
  - Data: 3x0,75 mm<sup>2</sup> – 3x1,0 mm<sup>2</sup> shielded or CAT6
  - Alarm: CAT 6, 3x1,5mm<sup>2</sup> or 3x2,5mm<sup>2</sup>
  - Power + Alarm: 6x1,5mm<sup>2</sup> or 6x2,5mm<sup>2</sup>
- ▶ Terminals can be used to distribute power and data to another light head (6 core cable must be used).

- ▶ Alarm relay output NO/NC dry contact  
Switch voltage/current max: 50VDC / 1A,  
250VAC / 10A
- ▶ ModBUS RS-485 isolated 4,5kV

## Mechanical Characteristics

- ▶ Painted marine grade aluminium body (C5MHigh)
- ▶ Glass cover
- ▶ Degree of protection IP66
- ▶ Operating temperature range -40...+55 °C
- ▶ Mounting 240x240mm, φ17mm
- ▶ Height 408 mm, diameter 270 mm
- ▶ Weight 12 kg

## Additional Factory-Installed Options

- ▶ Cold-climate heater version (CCV)
- ▶ NVG compliant infrared (IR)
- ▶ 4 Input 4 Output (IO)
- ▶ Ethernet Interface: 2 fiber SC multimode Female, 2 copper RJ45 (EF)

Order code	Output	ICAO	Operating voltage	GPS sync.	RED	Infrared	CCV	Photocell and Fault monitoring	Alarm Relay	ModBUS
MID-ICAO-ACWGAM-X	20 000 cd	Type A+B/C	100-240VAC	Yes	Yes	No	No	Yes	Yes	Yes
MID-ICAO-ACWIRGAM-X	20 000 cd	Type A+B/C	100-240VAC	Yes	Yes	Yes	No	Yes	Yes	Yes
MID-ICAO-ACWCCVGAM-X	20 000 cd	Type A+B/C	100-240VAC	Yes	Yes	No	Yes	Yes	Yes	Yes
MID-ICAO-ACWCCVIRGAM-X	20 000 cd	Type A+B/C	100-240VAC	Yes	Yes	Yes	Yes	Yes	Yes	Yes
MID-ICAO-DCGAM-X	20 000 cd	Type A+B/C	20-60VDC	Yes	Yes	No	No	Yes	Yes	Yes
MID-ICAO-DCIRGAM-X	20 000 cd	Type A+B/C	20-60VDC	Yes	Yes	Yes	No	Yes	Yes	Yes
MID-ICAO-DCCCVGAM-X	20 000 cd	Type A+B/C	20-60VDC	Yes	Yes	No	Yes	Yes	Yes	Yes
MID-ICAO-DCCCVIRGAM-X	20 000 cd	Type A+B/C	20-60VDC	Yes	Yes	Yes	Yes	Yes	Yes	Yes

X:

{ } = Without any extension board  
IO = Including 4 Input 4 Output (IO) Interface  
EF = Including Ethernet Interface

Packing dimensions (mm) and weight: 460x330x330 and 15,5kg  
Medium-intensity Type A = 20 000 cd / 2 000 cd WHITE flashing  
Medium-intensity Type B = 2 000 cd RED flashing  
Medium-intensity Type C = 2 000 cd RED steady

# MEDIUM-INTENSITY Type A+B/C

ICAO MI Type A 20 000cd  
ICAO MI Type B/C 2 000cd

**OBELUX**  
AVIATION LIGHTS

Obelux Oy, Kutomotie 6 B, 00380 Helsinki FINLAND | The information in this document is subject to change without notice. © Obelux Oy 2019

WWW.OBELUX.COM

## 20 000 cd / 2 000 cd WHITE only products

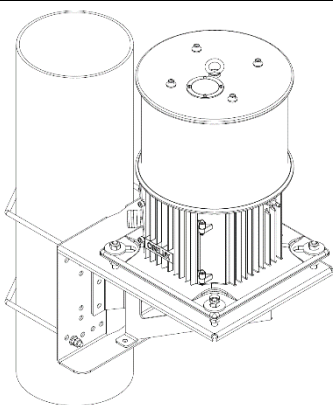
Order code	Output	ICAO	Operating voltage	GPS sync.	RED	Infrared	CCV	Photocell and Fault monitoring	Alarm Relay	ModBUS
MI-ICAO-ACWGAM-X	20 000 cd	Type A	100-240VAC	Yes	No	No	No	Yes	Yes	Yes
MI-ICAO-ACWIRGAM-X	20 000 cd	Type A	100-240VAC	Yes	No	Yes	No	Yes	Yes	Yes
MI-ICAO-ACWCCVGAM-X	20 000 cd	Type A	100-240VAC	Yes	No	No	Yes	Yes	Yes	Yes
MI-ICAO-ACWCCVIRGAM-X	20 000 cd	Type A	100-240VAC	Yes	No	Yes	Yes	Yes	Yes	Yes
MI-ICAO-DCGAM-X	20 000 cd	Type A	20-60VDC	Yes	No	No	No	Yes	Yes	Yes
MI-ICAO-DCIRGAM-X	20 000 cd	Type A	20-60VDC	Yes	No	Yes	No	Yes	Yes	Yes
MI-ICAO-DCCCVGAM-X	20 000 cd	Type A	20-60VDC	Yes	No	No	Yes	Yes	Yes	Yes
MI-ICAO-DCCCVIRGAM-X	20 000 cd	Type A	20-60VDC	Yes	No	Yes	Yes	Yes	Yes	Yes

X:

{ } = Without any extension board  
IO = Including 4 Input 4 Output (IO) Interface  
EF = Including Ethernet Interface

Packing dimensions (mm) and weight: 460x330x330 and 15,5kg  
Medium-intensity Type A = 20 000 cd / 2 000 cd WHITE flashing  
Medium-intensity Type B = 2 000 cd RED flashing  
Medium-intensity Type C = 2 000 cd RED steady

### Available mounting set as an option



#### Obelux MS-MIV1001

Mounting set for wall mounting and for 60-200mm tubes.

This mounting set includes:

- ▶ 2 pcs U-bolt 60-100
- ▶ 2 pcs U-bolt 100-200
- ▶ 8 pcs M8 hex nut ISO 4161
- ▶ 8 pcs M8 hex nut ISO 4032
- ▶ 8 pcs M10 hex nut ISO 4032
- ▶ 4 pcs M10 hex nut ISO 4161
- ▶ 4 pcs washer DIN 9021 - 13

All parts are AISI316 acid-proof stainless steel.

More detailed mechanical data: see MS-MIV1001 datasheet

▶ Order Code MS-MIV1001