

# Low-intensity Obstruction Lights

ICAO Low-intensity Type A 10cd, Type B 32cd and Type E 32cd  
FAA L-810 and L-810 (F)

**OBELUX**  
AVIATION LIGHTS

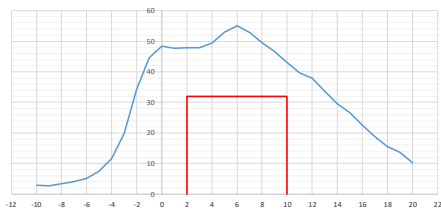
Obelux Oy, Kutomotie 6 B, 00380 Helsinki FINLAND | The information in this document is subject to change without notice. © Obelux Oy 2018

WWW.OBELUX.COM

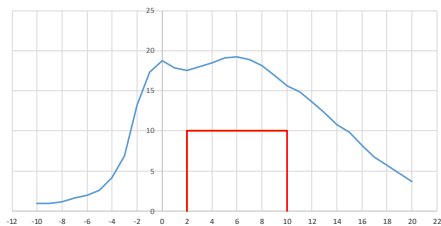
## Optical characteristics

- ▶ 10cd fixed
- ▶ 32cd fixed
- ▶ Flashing operation available with external controller
- ▶ Colour aviation RED
- ▶ Horizontal beam 360°
- ▶ Vertical beam >10°

Low-intensity Type B 32cd  
Vertical distribution



Low-intensity Type A 10cd  
Vertical distribution



## Specifications met

ICAO International Standards and Recommended Practices: Aerodromes Annex 14 Volume 1, 7th Edition, July 2016, Chapter 6: Low-intensity Type A / B / E

FAA Advisory Circular (9/28/2016)  
AC 150/5345-43H:  
L-810 / L-810 (F)

Einordnung als Hindernisfeuer ES gemäß Allgemeine Verwaltungsvorschrift zur Kennzeichnung von Luftfahrthindernissen vom 26.08.2015

Feux de balisage d'obstacle, DGAC, STAC, France



Photo is for illustration only.

## Low-intensity 10cd and 32cd Obstruction Lights LED Aviation Obstruction Lights - F models

Obelux low-intensity light is designed for marking tall structures such as wind turbines, chimneys, masts, cranes, airports, and towers. Obelux low-intensity lights have extremely low power consumption and long maintenance-free operating time. The light can be daisy-chained by using two cable glands located on the bottom.

### Key Features

- ▶ Based on LED-technology
- ▶ Low-intensity RED fixed light (flashing with external controller)
- ▶ Two cable glands → easy to chain without external junction boxes
- ▶ Extremely low power consumption
- ▶ Provides long maintenance-free operating time
- ▶ 5-year warranty

# Low-intensity Obstruction Lights

ICAO Low-intensity Type A 10cd, Type B 32cd and Type E 32cd  
FAA L-810 and L-810 (F)

**OBELUX**  
AVIATION LIGHTS

Obelux Oy, Kutomotie 6 B, 00380 Helsinki FINLAND | The information in this document is subject to change without notice. © Obelux Oy 2018

WWW.OBELUX.COM

## Electrical Characteristics

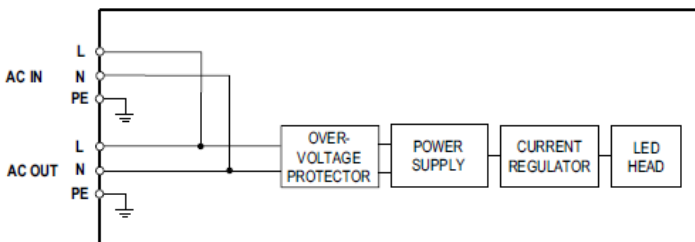
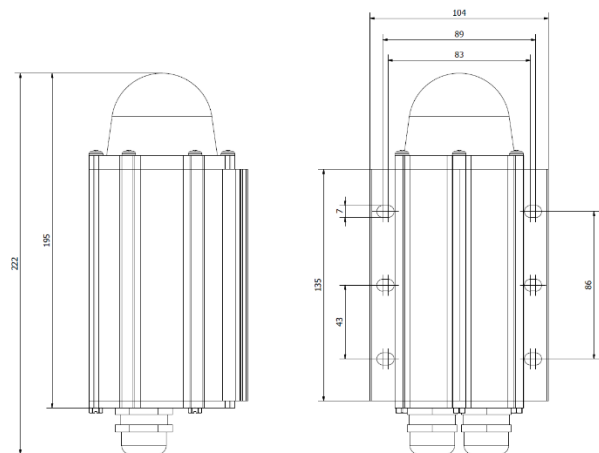
- ▶ 230- models, AC voltage range:  
Nominal 210...270V<sub>AC</sub>
- ▶ DCW- models, wide DC voltage range:  
Nominal 10...60V<sub>DC</sub>
- ▶ Overvoltage protection

## Mechanical Characteristics

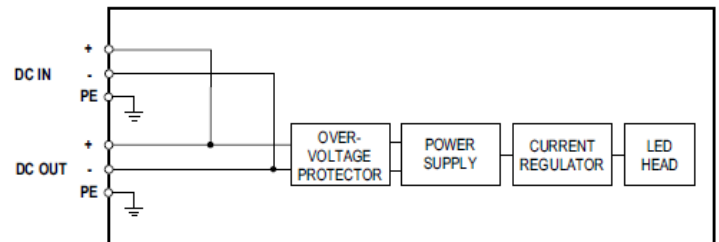
- ▶ Anodized, marine grade aluminium body and end parts
- ▶ AISI316 acid-proof stainless-steel screws
- ▶ Glass cover, degree of protection IP65
- ▶ Operating temperature range -55...+55 °C
- ▶ Height 210 mm, diameter 104 mm
- ▶ Weight 1,1 kg (without mounting set)
- ▶ Terminal block for 1.5 ...4mm<sup>2</sup> wires

## Mounting Set Options

- ▶ MS-HV80
- ▶ MS-EV60
- ▶ MS-EV100
- ▶ MS-EV150
- ▶ MS-DEV60
- ▶ MS-DEV100
- ▶ MS-RW
- ▶ MS-LVU
- ▶ MS-N1B
- ▶ MS-WT5



Block diagram for 230VAC operated -F models.



Block diagram for DCW operated -F models.

Order code	ICAO / FAA	Output	Op. volt.	Power cons.	Photocell and Flasher	Packing dimensions
LI-10-DCW-F	Type A	10cd	10-60VDC	1 W	No	280x130x100, 1,5kg
LI-10-230-F	Type A	10cd	230VAC	1 VA	No	280x130x100, 1,5kg
LI-32-DCW-F	Type B / L-810*	32cd	10-60VDC	2 W	No	280x130x100, 1,5kg
LI-32-230-F	Type B / L-810*	32cd	230VAC	2 VA	No	280x130x100, 1,5kg

\*to meet ICAO low-intensity Type E and FAA L-810 (F) external controller is needed.  
Other operating voltages are available upon request.

# Low-intensity Obstruction Lights

ICAO Low-intensity Type A 10cd, Type B 32cd and Type E 32cd  
FAA L-810 and L-810 (F)

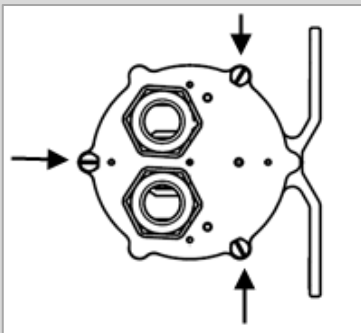
**OBELUX**  
AVIATION LIGHTS

## Installation specifications

- ▶ Cable gland M25
- ▶ Cable diameter 11 to 17 mm (includes cable gland seal 6-13mm)
- ▶ Wire diameter max. 6 mm<sup>2</sup>
- ▶ Recommended cable
- ▶ 3x1.5 mm<sup>2</sup> or 3x2.5 mm<sup>2</sup>

## Options

- ▶ CGS-20 smaller cable glands set (includes 2pcs M20 cable glands with M25-M20 adapters for 7-13 mm cables)



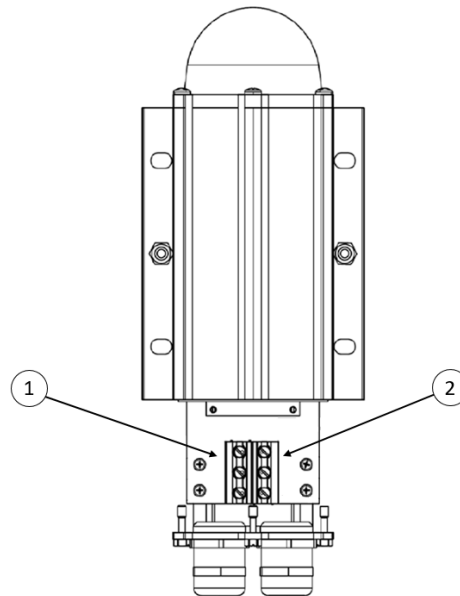
1. Bottom plate screws



2. Bottom plate slide open.

## Installation instructions

Two cable glands provide easy chaining without external junction boxes. Open the three bottom plate screws. Bottom plate and the main circuit board slides out. Route power cables using cable gland(s) on the bottom. Connect the cable wires securely to appropriate terminal block connectors. Slide the bottom plate properly in its place and securely tighten all screws using flat-head (straight) screwdriver. Make sure that all unused glands or gland holes are plugged shut.



### 1 Power input

	Mark	Description	Information
<b>-230</b>	L	Live	Colour typically brown.
	N	Neutral	Colour typically blue.
	PE	Protective earth	Colour typically yellow/green
<b>-DCW</b>	+	Positive	Power supply positive
	-	Negative	Power supply positive
	PE	Protective earth	Protective earth

Tighten the connector screws using flat-head (straight) screwdriver.

### 2 Power output

	Mark	Description	Information
<b>-230</b>	L	Live	Colour typically brown.
	N	Neutral	Colour typically blue.
	PE	Protective earth	Colour typically yellow/green
<b>-DCW</b>	+	Positive	Power supply positive
	-	Negative	Power supply positive
	PE	Protective earth	Protective earth

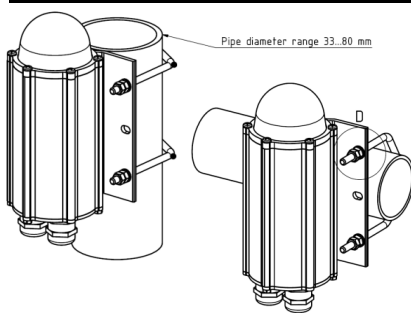
Tighten connectors securely using flat-head (straight) screwdriver.

# Low-intensity Obstruction Lights

ICAO Low-intensity Type A 10cd, Type B 32cd and Type E 32cd  
FAA L-810 and L-810 (F)

**OBELUX**  
AVIATION LIGHTS

## Available mounting sets as an option



### Obelux MS-HV80

Mounting set for 33-80 mm vertical or horizontal pipe.

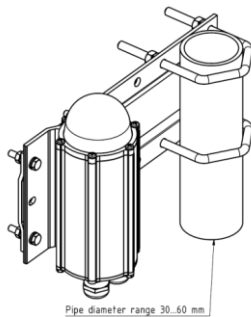
This mounting set includes:

- ▶ 2 pcs M6 U-bolt
- ▶ 8 pcs M6 hex nut
- ▶ 4 pcs 6/12 mm washer

All parts are AISI316 acid-proof stainless steel.

More detailed mechanical data: see MS-HV80 datasheet

▶ Order Code MS-HV80



### Obelux MS-EV60

Mounting set with extension plate for 30-60 mm vertical pipe installation.

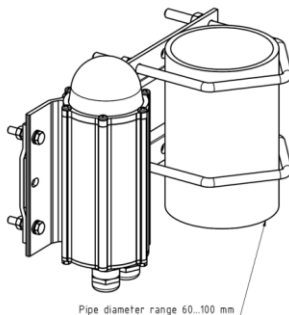
This mounting set includes:

- ▶ 2 pcs M8 U-bolt, 8 pcs M8 hex nut
- ▶ 4 pcs M6x30 bolt, 8 pcs M6 hex nut, 4 pcs 6/12 washer
- ▶ 1 pcs extension plate

Extension plate marine grade anodized aluminium, other parts AISI316 acid-proof stainless steel.

More detailed mechanical data: see MS-EV60 datasheet

▶ Order Code: MS-EV60



### Obelux MS-EV100

Mounting set with extension plate for 60-100 mm vertical pipe installation.

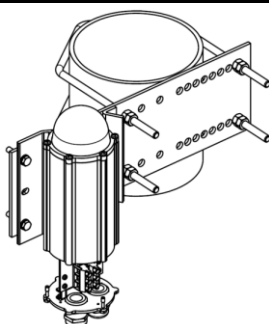
This mounting set includes:

- ▶ 2 pcs M8 U-bolt, 8 pcs M8 hex nut
- ▶ 4 pcs M6x30 bolt, 8 pcs M6 hex nut, 4 pcs 6/12 washer
- ▶ 1 pcs extension plate

Extension plate marine grade anodized aluminium, other parts AISI316 acid-proof stainless steel.

More detailed mechanical data: see MS-EV100 datasheet

▶ Order Code: MS-EV100



### Obelux MS-EV150

Mounting set with extension plate for 100-150 mm vertical pipe installation.

This mounting set includes:

- ▶ 2 pcs M8 U-bolt, 8 pcs M8 hex nut
- ▶ 4 pcs M6x30 bolt, 8 pcs M6 hex nut, 4 pcs 6/12 washer
- ▶ 1 pcs extension plate

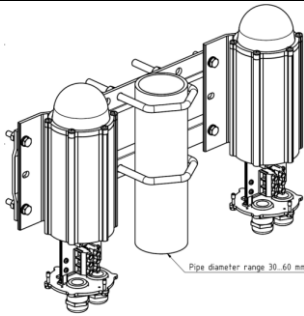
Extension plate hot dipped galvanised steel, other parts AISI316 acid-proof stainless steel.

More detailed mechanical data: see MS-EV150 datasheet

# Low-intensity Obstruction Lights

ICAO Low-intensity Type A 10cd, Type B 32cd and Type E 32cd  
FAA L-810 and L-810 (F)

**OBELUX**  
AVIATION LIGHTS



### Obelux MS-DEV60

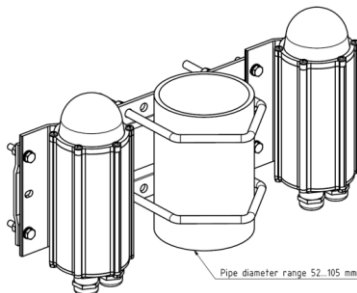
Double mounting set with extension plate for 30-60 mm vertical pipe installation. Mounting set include:

- ▶ 2 pcs M8 U-bolt, 8 pcs M8 hex nut
- ▶ 8 pcs M6x30 bolt, 16 pcs M6 hex nut, 8 pcs 6/12 washer
- ▶ 1 pcs extension plate

Extension plate marine grade anodised aluminium, other parts AISI316 acid-proof stainless steel.

More detailed mechanical data: see MS-DEV60 datasheet

▶ Order Code: MS-DEV60



### Obelux MS-DEV100

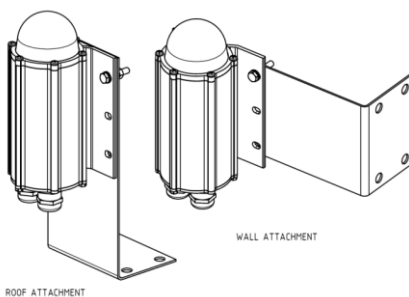
Double mounting set with extension plate for 60-100 mm vertical pipe installation. Mounting set include:

- ▶ 2 pcs M8 U-bolt, 8 pcs M8 hex nut
- ▶ 8 pcs M6x30 bolt, 16 pcs M6 hex nut, 8 pcs 6/12 washer
- ▶ 1 pcs extension plate

Extension plate marine grade anodised aluminium, other parts AISI316 acid-proof stainless steel.

More detailed mechanical data: see MS-DEV100 datasheet

▶ Order Code: MS-DEV100



### Obelux MS-RW

Mounting set for horizontal plate or wall installation.

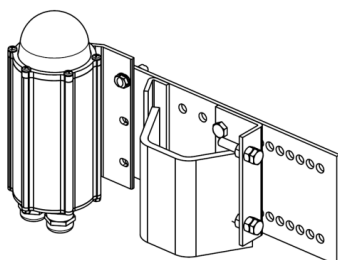
Mounting set includes:

- ▶ 4 pcs M6x30 bolt, 8 pcs M6 hex nut, 4 pcs 6/12 washer
- ▶ 1 pcs L-shape 2 mm plate

All parts AISI 316 acid-proof stainless steel.

More detailed mechanical data: see MS-RW datasheet

▶ Order Code: MS-RW



### Obelux MS-LVU

Mounting set for L and V -shape profiles

Mounting set includes:

- ▶ 1 set accessories for light unit fitting to plate
- ▶ 1 pcs extension plate with adjusting plate and accessories

Extension plate hot dip galvanized steel, other parts AISI316 acid-proof stainless steel.

More detailed mechanical data: see MS-LVU datasheet

▶ Order Code: MS-LVU (with galvanized extension plate)

▶ Order Code: MS-LVA (with AISI316 extension plate)

DATASHEET

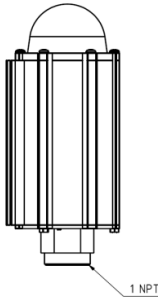
# Low-intensity Obstruction Lights

ICAO Low-intensity Type A 10cd, Type B 32cd and Type E 32cd  
FAA L-810 and L-810 (F)

**OBELUX**  
AVIATION LIGHTS

Obelux Oy, Kutomotie 6 B, 00380 Helsinki FINLAND | The information in this document is subject to change without notice. © Obelux Oy 2018

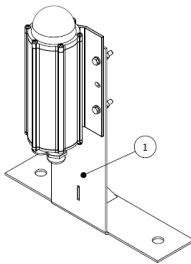
WWW.OBELUX.COM



**Obelux MS-N1B :**  
Mounting set for 1" NPT at bottom

More detailed mechanical dimensions: see MS-N1B datasheet.

► Order Code: MS-N1B



**Obelux MS-WT5:**  
Mounting set for LI series

Mounting holes 2 x Ø17, 240mm.

► Order Code: MS-WT5