

DATASHEET

# Low-intensity Obstruction Lights SAL and ModBUS models

ICAO Low-intensity Type A 10cd, Type B 32cd and Type E 32cd  
FAA L-810  
FAA L-810 (F)

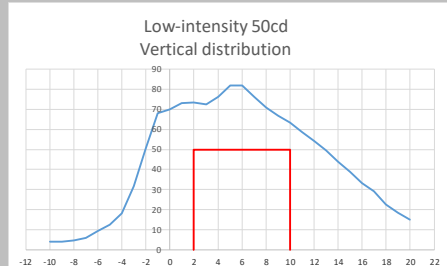
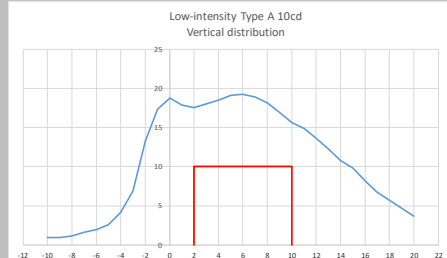
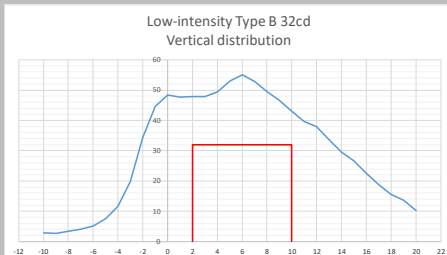
**OBELUX**  
AVIATION LIGHTS

Obelux Oy, Kutomotie 6 B, 00380 Helsinki FINLAND | The information in this document is subject to change without notice. © Obelux Oy 2018

WWW.OBELUX.COM

## Optical characteristics

- ▶ 10cd fixed or flashing
- ▶ 32cd fixed or flashing
- ▶ 50cd fixed or flashing
- ▶ Colour aviation RED
- ▶ Horizontal beam 360°
- ▶ Vertical beam >10°



## Specifications met

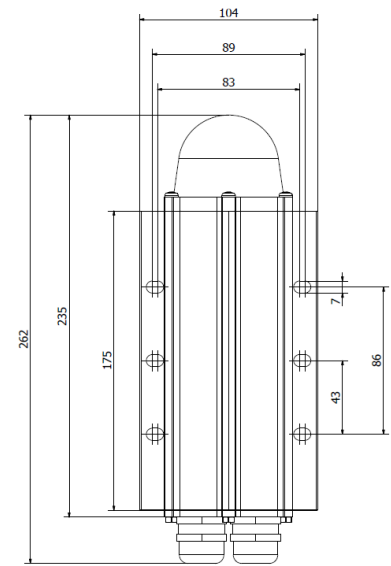
ICAO International Standards and Recommended Practices: Aerodromes Annex 14 Volume 1, 7th Edition, July 2016, Chapter 6:  
Low-intensity Type A  
Low-intensity Type B  
Low-intensity Type E

FAA Advisory Circular (9/28/2016)  
AC 150/5345-43H:  
L-810  
L-810 (F)

Ministerie van Infrastructuur en Milieu (lage intensiteit), 30.9.2016 (NLD)



Photo only for illustration.



## Low-intensity 10cd/32cd/50cd Obstruction Lights LED Aviation Obstruction Lights - SAL and ModBUS models

Obelux low-intensity light is designed for marking tall structures such as wind turbines, chimneys, masts, cranes, airports, and towers. The product can offer unique features such as fault monitoring, photocell and switcher incorporated in the light. Lights can be connected to Obelux aviation light system through ModBUS serial lines.

## Key Features

- ▶ Based on LED-technology
- ▶ Low-intensity RED fixed and flashing light
- ▶ Incorporated photocell for Day/Night switch available
- ▶ Both stand-alone (incorporated alarm signal) and ModBUS operations available
- ▶ Extremely low power consumption
- ▶ Provides long maintenance-free operating time
- ▶ 5-year warranty

# Low-intensity Obstruction Lights SAL and ModBUS models

ICAO Low-intensity Type A 10cd, Type B 32cd and Type E 32cd  
FAA L-810  
FAA L-810 (F)



## Electrical Characteristics

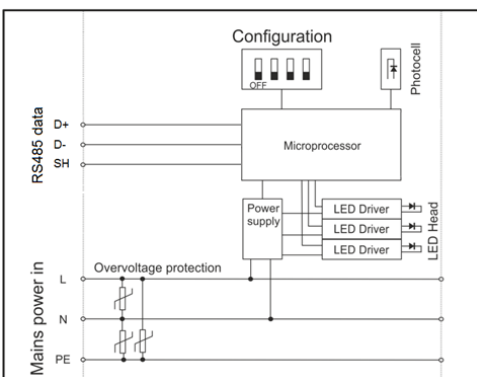
- ▶ ACW- models, wide AC voltage range:  
Nominal 100...240V<sub>AC</sub>, Nominal 50 ... 60Hz
- ▶ DCW- models, wide DC voltage range:  
Nominal 10...60V<sub>DC</sub>
- ▶ Overvoltage protection
- ▶ Day/Night switch function available
- ▶ Flash rates: 30fpm (L-810 F), other fpm available
- ▶ Alarm relay function available
- ▶ ModBUS (RS-485) operation function available

## Mounting Set Options

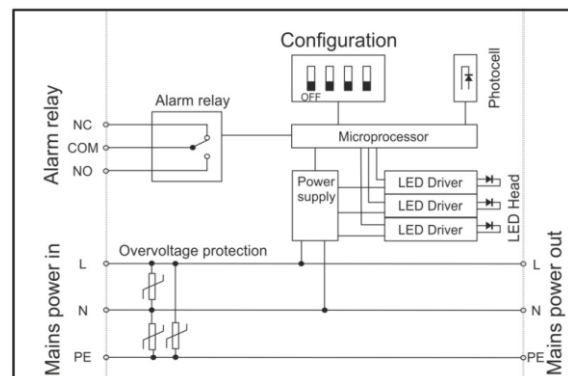
- ▶ MS-HV80
- ▶ MS-EV60
- ▶ MS-EV100
- ▶ MS-EV150
- ▶ MS-DEV60
- ▶ MS-DEV100
- ▶ MS-RW
- ▶ MS-LVU
- ▶ MS-N1B
- ▶ MS-WT5

## Mechanical Characteristics

- ▶ Anodized, marine grade aluminium body and end parts
- ▶ AISI316 acid-proof stainless-steel screws
- ▶ Glass cover, degree of protection IP65
- ▶ Operating temperature range -40...+55 °C
- ▶ Height 255 mm, diameter 104 mm
- ▶ Weight 1,3 kg (without mounting set)
- ▶ Terminal block for 1.5 ...4mm<sup>2</sup> wires



Block diagram of LI-...-ACW-I lights



Block diagram of LI-...-ACW-A lights

Order code	ICAO / FAA	Output	Op. volt.	Power cons.	Alarm Relay	ModBUS	Packing dimensions
LI-10-DCW-A	Type A	10cd	10-60VDC	1.0 W	Yes	No	280x130x100, 1,5kg
LI-10-ACW-A	Type A	10cd	100-240VAC	1.0 VA	Yes	No	280x130x100, 1,5kg
LI-10-DCW-I	Type A	10cd	10-60VDC	1.0 W	No	Yes	280x130x100, 1,5kg
LI-10-ACW-I	Type A	10cd	100-240VAC	1.0 VA	No	Yes	280x130x100, 1,5kg
LI-32-DCW-A	Type B / L-810	32cd	10-60VDC	1.5 W	Yes	No	280x130x100, 1,5kg
LI-32-ACW-A	Type B / L-810	32cd	100-240VAC	1.5 VA	Yes	No	280x130x100, 1,5kg
LI-32-DCW-I	Type B / L-810	32cd	10-60VDC	1.5 W	No	Yes	280x130x100, 1,5kg
LI-32-ACW-I	Type B / L-810	32cd	100-240VAC	1.5 VA	No	Yes	280x130x100, 1,5kg
LI-50-ACW-A	NLD	50cd	100-240VAC	2.5 W	Yes	No	280x130x100, 1,5kg
LI-50-DCW-A	NLD	50cd	10-60VDC	2.5 VA	Yes	No	280x130x100, 1,5kg
LI-50-ACW-I	NLD	50cd	100-240VAC	2.5 W	No	Yes	280x130x100, 1,5kg
LI-50-DCW-I	NLD	50cd	10-60VDC	2.5 VA	No	Yes	280x130x100, 1,5kg

# Low-intensity Obstruction Lights SAL and ModBUS models

ICAO Low-intensity Type A 10cd, Type B 32cd and Type E 32cd  
FAA L-810  
FAA L-810 (F)

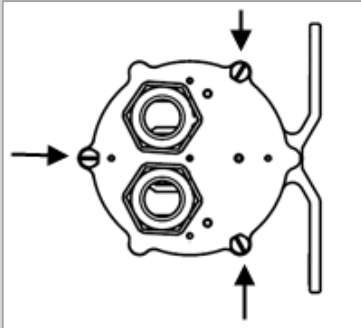
**OBELUX**  
AVIATION LIGHTS

## Installation specifications

- ▶ Cable gland M25
- ▶ Cable diameter 11 to 17 mm (includes cable gland seal 6-13mm)
- ▶ Wire diameter max. 6 mm<sup>2</sup>
- ▶ Recommended cable 3x1.5 mm<sup>2</sup> or 3x2.5 mm<sup>2</sup>

## Options

- ▶ CGS-20 smaller cable glands set (includes 2pcs M20 cable glands with M25-M20 adapters for 7-13 mm cables)



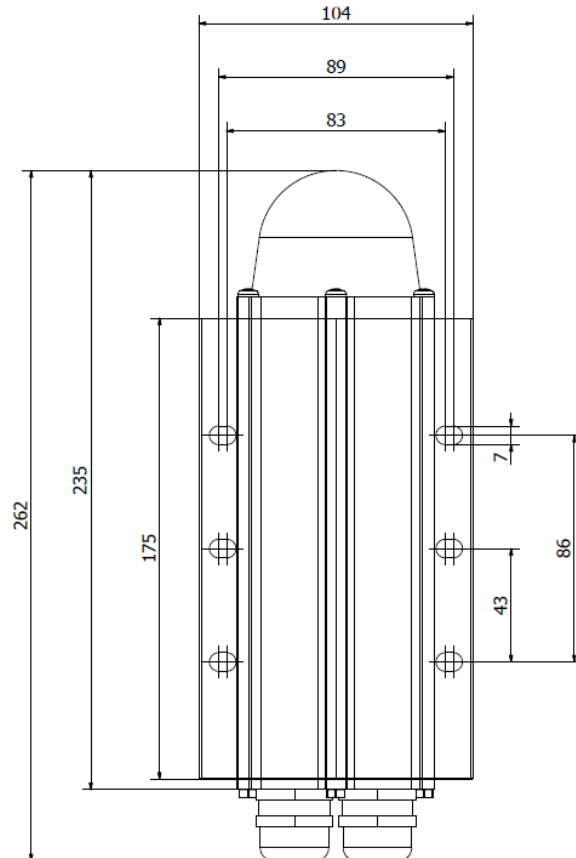
1. Bottom plate screws



2. Bottom plate slide open.

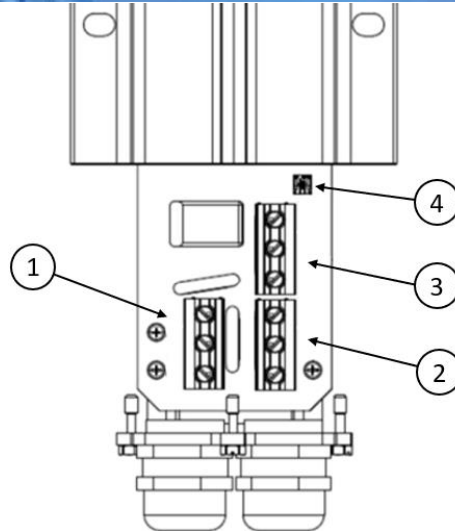
## Installation instructions

Open the three bottom plate screws. Bottom plate and the main circuit board slides out. Route power and data cables using cable gland(s) on the bottom side of light unit. Connect the cable wires securely to appropriate terminal block connectors. Slide the bottom plate properly in its place and securely tighten all screws. Make sure that all unused glands or gland holes are plugged shut.



# Low-intensity Obstruction Lights SAL and ModBUS models

ICAO Low-intensity Type A 10cd, Type B 32cd and Type E 32cd  
FAA L-810  
FAA L-810 (F)



**ACW-A and DCW-A**

## 1 Power input

	Mark	Description	Information
<b>-ACW</b>	L	Live	Colour typically brown.
	N	Neutral	Colour typically blue.
	PE	Protective earth	Colour typically yellow/green
<b>-DCW</b>	+	Positive	Power supply positive
	-	Negative	Power supply negative
	PE	Protective earth	Protective earth

Tighten the connector screws using flat-head (straight) screwdriver.

## 2 Power output

	Mark	Description	Information
<b>-ACW</b>	L	Live	Colour typically brown.
	N	Neutral	Colour typically blue.
	PE	Protective earth	Colour typically yellow/green
<b>-DCW</b>	+	Positive	Power supply positive
	-	Negative	Power supply negative
	PE	Protective earth	Protective earth

Tighten connectors securely using flat-head (straight) screwdriver.

## 3 Alarm relay

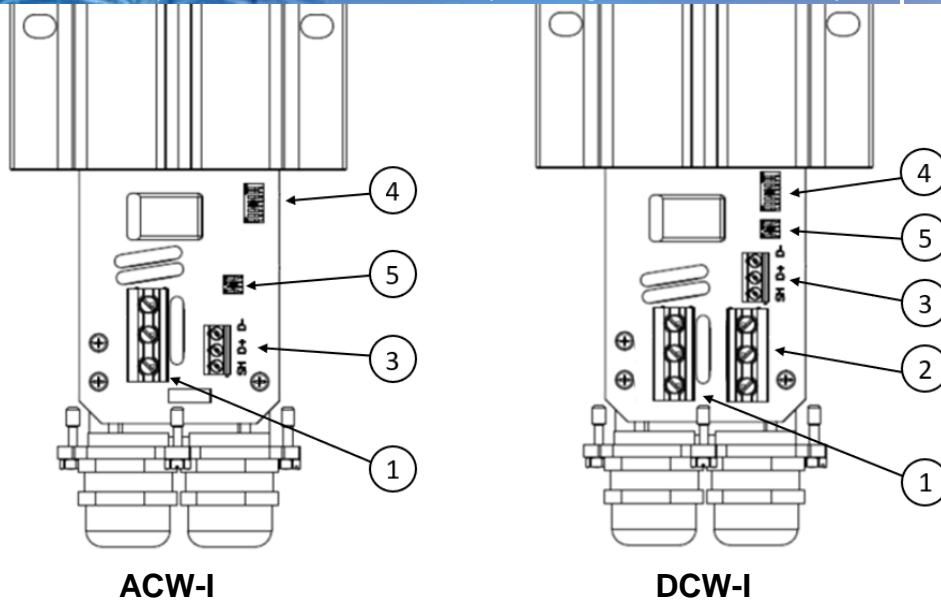
Mark	Description	Information
<b>NO</b>	Normally Open	In alarm, connected with COM
<b>COM</b>	Common	Common relay contact
<b>NC</b>	Normally Connected	During normal operation, connected with COM

Tighten connectors securely using flat-head (straight) screwdriver.

## 4 Configuration DIP switches

# Low-intensity Obstruction Lights SAL and ModBUS models

ICAO Low-intensity Type A 10cd, Type B 32cd and Type E 32cd  
FAA L-810  
FAA L-810 (F)



## 1 Power input

	Mark	Description	Information
<b>-ACW</b>	L	Live	Colour typically brown
	N	Neutral	Colour typically blue
	PE	Protective earth	Colour typically yellow/green
<b>-DCW</b>	+	Positive	Power supply positive
	-	Negative	Power supply negative
	PE	Protective earth	Protective earth

Tighten the connector screws using flat-head (straight) screwdriver.

## 2 Power output (only DCW version)

Mark	Description	Information
+	Positive	Power supply positive
-	Negative	Power supply negative
PE	Protective earth	Protective earth

Tighten the connector screws using flat-head (straight) screwdriver.

## 3 RS485 input

Mark	Description	Information
D+	Data +	RS485 non-inverting pin
D-	Data -	RS485 inverting pin
SH	Shield	Shield

The RS-485 network (Modbus) input

## 4 Configuration DIP switches

## 5 RS485 termination DIP switch (DIP4)

DATASHEET

# Low-intensity Obstruction Lights SAL and ModBUS models

ICAO Low-intensity Type A 10cd, Type B 32cd and Type E 32cd  
FAA L-810  
FAA L-810 (F)

**OBELUX**  
AVIATION LIGHTS

Obelux Oy, Kutomotie 6 B, 00380 Helsinki FINLAND | The information in this document is subject to change without notice. © Obelux Oy 2018

WWW.OBELUX.COM

## Configuring Obelux LI Series

### Stand-alone model (-A version)

Configuration DIP switches 1-4 are used to control the photocell mode (enabled/disabled), the threshold values, and the flashing settings.

The factory default setting is all switches OFF (steady-burning mode without photocell control). With the photocell operation enabled, the obstruction light turns on when the ambient light level has dropped below the selected level. The light turns off when the ambient light level has exceeded the selected value. The turn-off and turn-on times are approx. 3 min.

DIP Switch		Operating mode (Photocell)
1	2	
OFF	OFF	Photocell disabled
ON	OFF	200 lx
OFF	ON	400 lx
ON	ON	1600 lx

DIP Switch		Flash rate
3	4	
OFF	OFF	Steady-burning i.e. fixed
ON	OFF	30 flashes per minute
OFF	ON	40 flashes per minute
ON	ON	60 flashes per minute

### ModBUS model (-I version)

Turn on DIP 8 to configure the light in to Modbus (RS-485) operation. Configuration DIP switches 1-4 are used to give the light RS485 bus address. Duplicate addresses on the same bus are not allowed.

DIP switch				Modbus Address
1	2	3	4	
on	off	off	off	Address 01
off	on	off	off	Address 02
on	on	off	off	Address 03
off	off	on	off	Address 04
on	off	on	off	Address 05
off	on	on	off	Address 06
on	on	on	off	Address 07
off	off	off	on	Address 08
on	off	off	on	Address 09
off	on	off	on	Address 10
on	on	off	on	Address 11
off	off	on	on	Address 12
on	off	on	on	Address 13
off	on	on	on	Address 14
on	on	on	on	Address 15

RS-485 bus should be terminated with on-board 120ohm resistors on both ends of the communications bus. Turn on DIP4 on from the termination DIP switches.

DATASHEET

# Low-intensity Obstruction Lights SAL and ModBUS models

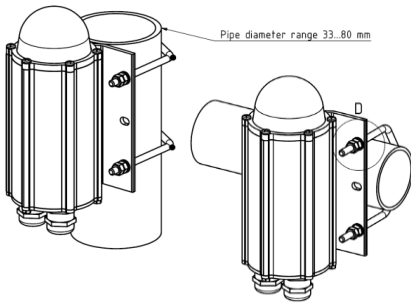
ICAO Low-intensity Type A 10cd, Type B 32cd and Type E 32cd  
FAA L-810  
FAA L-810 (F)

**OBELUX**  
AVIATION LIGHTS

Obelux Oy, Kutomotie 6 B, 00380 Helsinki FINLAND | The information in this document is subject to change without notice. © Obelux Oy 2018

WWW.OBELUX.COM

## Available mounting sets as an option



### Obelux MS-HV80

Mounting set for 33-80 mm vertical or horizontal pipe.

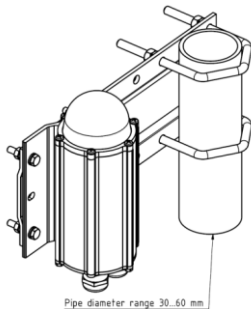
This mounting set includes:

- ▶ 2 pcs M6 U-bolt
- ▶ 8 pcs M6 hex nut
- ▶ 4 pcs 6/12 mm washer

All parts are AISI316 acid-proof stainless steel.

More detailed mechanical data: see MS-HV80 datasheet

▶ Order Code MS-HV80



### Obelux MS-EV60

Mounting set with extension plate for 30-60 mm vertical pipe installation.

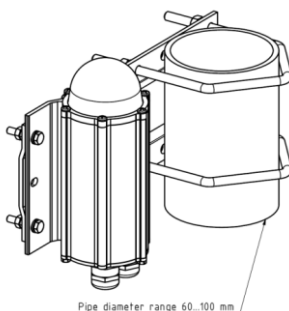
This mounting set includes:

- ▶ 2 pcs M8 U-bolt, 8 pcs M8 hex nut
- ▶ 4 pcs M6x30 bolt, 8 pcs M6 hex nut, 4 pcs 6/12 washer
- ▶ 1 pcs extension plate

Extension plate marine grade anodized aluminium, other parts AISI316 acid-proof stainless steel.

More detailed mechanical data: see MS-EV60 datasheet

▶ Order Code: MS-EV60



### Obelux MS-EV100

Mounting set with extension plate for 60-100 mm vertical pipe installation.

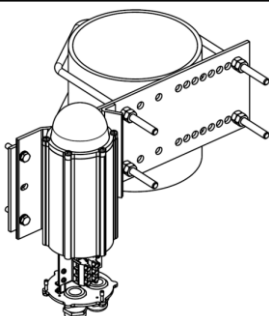
This mounting set includes:

- ▶ 2 pcs M8 U-bolt, 8 pcs M8 hex nut
- ▶ 4 pcs M6x30 bolt, 8 pcs M6 hex nut, 4 pcs 6/12 washer
- ▶ 1 pcs extension plate

Extension plate marine grade anodized aluminium, other parts AISI316 acid-proof stainless steel.

More detailed mechanical data: see MS-EV100 datasheet

▶ Order Code: MS-EV100



### Obelux MS-EV150

Mounting set with extension plate for 100-150 mm vertical pipe installation.

This mounting set includes:

- ▶ 2 pcs M8 U-bolt, 8 pcs M8 hex nut
- ▶ 4 pcs M6x30 bolt, 8 pcs M6 hex nut, 4 pcs 6/12 washer
- ▶ 1 pcs extension plate

Extension plate hot dipped galvanised steel, other parts AISI316 acid-proof stainless steel.

More detailed mechanical data: see MS-EV150 datasheet

▶ Order Code: MS-EV150

DATASHEET

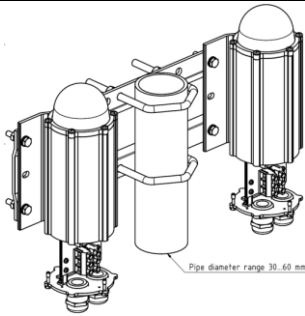
# Low-intensity Obstruction Lights SAL and ModBUS models

ICAO Low-intensity Type A 10cd, Type B 32cd and Type E 32cd  
FAA L-810  
FAA L-810 (F)

**OBELUX**  
AVIATION LIGHTS

Obelux Oy, Kutomotie 6 B, 00380 Helsinki FINLAND | The information in this document is subject to change without notice. © Obelux Oy 2018

WWW.OBELUX.COM



### Obelux MS-DEV60

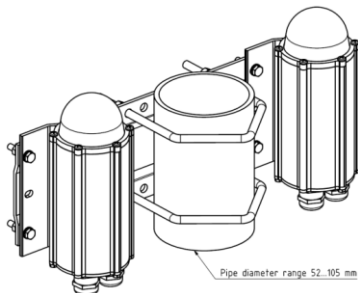
Double mounting set with extension plate for 30-60 mm vertical pipe installation. Mounting set include:

- ▶ 2 pcs M8 U-bolt, 8 pcs M8 hex nut
- ▶ 8 pcs M6x30 bolt, 16 pcs M6 hex nut, 8 pcs 6/12 washer
- ▶ 1 pcs extension plate

Extension plate marine grade anodised aluminium, other parts AISI316 acid-proof stainless steel.

More detailed mechanical data: see MS-DEV60 datasheet

▶ Order Code: MS-DEV60



### Obelux MS-DEV100

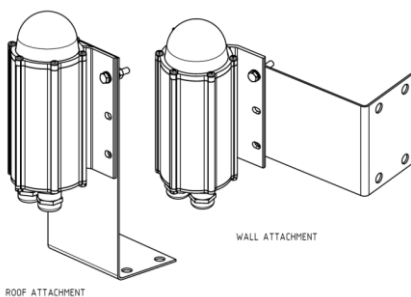
Double mounting set with extension plate for 60-100 mm vertical pipe installation. Mounting set include:

- ▶ 2 pcs M8 U-bolt, 8 pcs M8 hex nut
- ▶ 8 pcs M6x30 bolt, 16 pcs M6 hex nut, 8 pcs 6/12 washer
- ▶ 1 pcs extension plate

Extension plate marine grade anodised aluminium, other parts AISI316 acid-proof stainless steel.

More detailed mechanical data: see MS-DEV100 datasheet

▶ Order Code: MS-DEV100



### Obelux MS-RW

Mounting set for horizontal plate or wall installation.

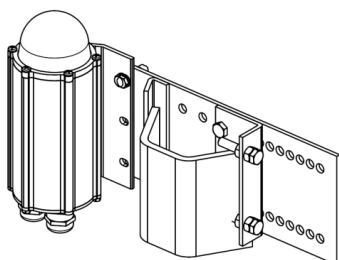
Mounting set includes:

- ▶ 4 pcs M6x30 bolt, 8 pcs M6 hex nut, 4 pcs 6/12 washer
- ▶ 1 pcs L-shape 2 mm plate

All parts AISI 316 acid-proof stainless steel.

More detailed mechanical data: see MS-RW datasheet

▶ Order Code: MS-RW



### Obelux MS-LVU

Mounting set for L and V -shape profiles

Mounting set includes:

- ▶ 1 set accessories for light unit fitting to plate
- ▶ 1 pcs extension plate with adjusting plate and accessories

Extension plate hot dip galvanized steel, other parts AISI316 acid-proof stainless steel.

More detailed mechanical data: see MS-LVU datasheet

▶ Order Code: MS-LVU (with galvanized extension plate)  
▶ Order Code: MS-LVA (with AISI316 extension plate)



DATASHEET

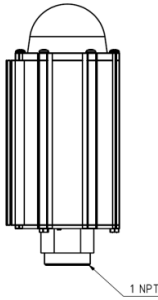
# Low-intensity Obstruction Lights SAL and ModBUS models

ICAO Low-intensity Type A 10cd, Type B 32cd and Type E 32cd  
FAA L-810  
FAA L-810 (F)

**OBELUX**  
AVIATION LIGHTS

Obelux Oy, Kutomotie 6 B, 00380 Helsinki FINLAND | The information in this document is subject to change without notice. © Obelux Oy 2018

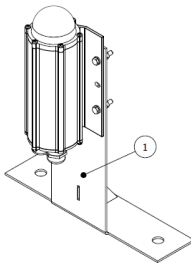
WWW.OBELUX.COM



**Obelux MS-N1B :**  
Mounting set for 1" NPT at bottom

More detailed mechanical dimensions: see MS-N1B datasheet.

► **Order Code: MS-N1B**



**Obelux MS-WT5:**  
Mounting set for LI series

Mounting holes 2 x Ø17, 240mm.

► **Order Code: MS-WT5**