

DATASHEET

# RUNWAY END IDENTIFICATION LIGHT

ICAO Annex 14, 2013 4th Edition

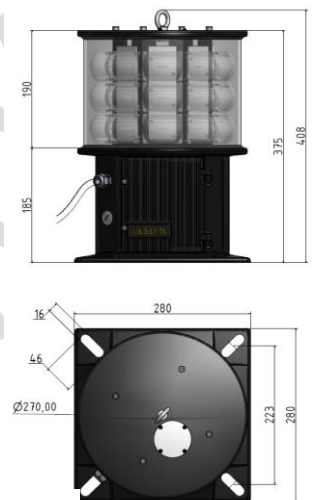
**OBELUX**  
 AVIATION LIGHTS

Obelux Oy, Kutomotie 6 B, 00380 Helsinki FINLAND | The information in this document is subject to change without notice. © Obelux Oy 2014

WWW.OBELUX.COM

## Optical characteristics

- ▶ Colour White
- ▶ Unidirectional (30°) and omnidirectional (360°) versions available
- ▶ Vertical beam >10 degrees
- ▶ Effective intensity
  - High – 15 000cd
  - Medium – 1 500cd
  - Low – 300cd



## RUNWAY END IDENTIFICATION LIGHT

### REIL Lights

The REIL are flashing lights located on either side of a runway and are synchronized. The REIL provide circling, offset, and straight-in visual guidance for non-precision approach runways and helps the aircraft pilot differentiate the runway from other nearby lights

## Specifications

ICAO Annex 14, Paragraph 5.3.8

FAA Advisory Circular 150/5345-51B: L-849

## Key Features

- ▶ Based on LED technology
- ▶ Incorporated photocell for automatic intensity adjustment
- ▶ Several intensity adjustment levels available
- ▶ Infrared (850nm) incorporated for NVG compatibility
- ▶ Aluminium body and glass cover
- ▶ Height only 408mm, and weight 14kg
- ▶ Operating voltage 90-265VAC
- ▶ 5 year warranty- the longest in the industry

# RUNWAY END IDENTIFICATION LIGHT

ICAO Annex 14, 2013 4th Edition

**OBELUX**  
AVIATION LIGHTS

## Electrical Characteristics

- ▶ Operating voltage 90-265V<sub>AC</sub>
- ▶ Recommended cables (Outdoor):
  - Power (L-N-PE): 3x1,5mm<sup>2</sup> or 3x2,5mm<sup>2</sup>
  - Control: Max. 5x2,5mm<sup>2</sup>

## Control by Relay Signal (DIP [1..3]=0)

Mode	IN1	IN2	IN3	IN4
Light OFF	0	0	0	0
High – 15 000cd	-	-	0	1
Medium - 1 500cd	-	-	1	0
Low 1 – 300cd	-	-	1	1

1 = on  
0= off  
off=open (=indicator LED is ON)

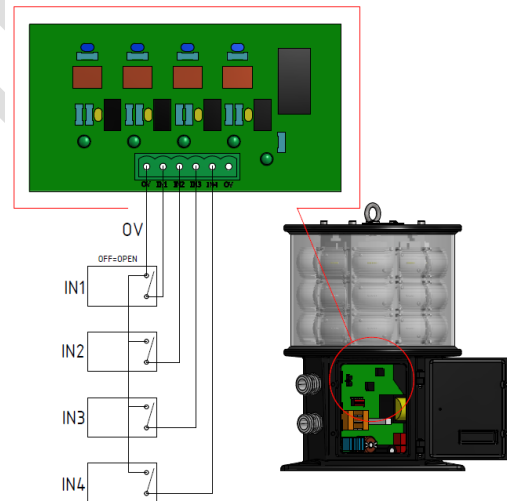
## Control by Dip Switches

Master/Slave Function	DIP1
Master	0
Slave	1

Mode	DIP2	DIP3
Remote operation (control by Relay Signal)	0	0
High – 15 000cd	0	1
Medium - 1 500cd	1	0
Low – 300cd	1	1

## Mechanical Characteristics

- ▶ Painted marine grade aluminium body (C5MHigh)
- ▶ Glass cover
- ▶ Degree of protection IP66
- ▶ Operating temperature range -40...+55 °C
- ▶ 2x Cable gland M25 for 6-17 mm cable diameter
- ▶ Mounting 240x240mm,  $\phi$ 17mm
- ▶ Height 408 mm, diameter 270 mm
- ▶ Weight 14 kg



Location of control relays

Order code	Style	Horizontal	Op. volt.	CCV	Infrared	Packing dimensions
OBX-849-ACW-001	A, E	30°	90-265VAC	No	Yes	470x340x330, 16kg
OBX-849-ACW-002	B, F	360°	90-265VAC	No	Yes	470x340x330, 16kg
OBX-849-ACW-011	A, E	30°	90-265VAC	Yes	Yes	470x340x330, 16kg
OBX-849-ACW-012	B, F	360°	90-265VAC	Yes	Yes	470x340x330, 16kg

OBX-CP-849-001 90-265VAC