

HAZARDOUS BAYMASTER™ HL LED LUMINAIRE

- Three lumen outputs provide up to 38,000 lumens
- Choice of optics for optimal light distribution in a variety of applications; narrow, medium and wide distribution.
- Unique quick mount pendant system allows for easy prewiring without supporting the High Bay in place. Quick mount adapter hood includes one 3/4" NPT entry.
- Alternate mounting system allows for "Y" cable mount and easy wiring via a separate field wiring compartment with a screw terminal block (can accept UL/CSA 26-10AWG).
- Two 3/4" NPT entries provided. (Two close up plugs provided when quick mount pendant system is ordered).
- One 1/2" NPT close up plug provided on quickmount model for use with accessory drain assembly.
- Choice of color temperature (CCT); 5000K cool white or 3000K warm white.
- Rugged and compact housing with superior thermal design translates to long luminaire life.
- Ambient Temperature: -40 °C up to +65 °C (-40 °F to +149 °F)
- Heavy duty, high temperature silicone rubber gaskets.
- Thermal shock and impact resistant clear or frosted glass lens.
- Choice of Input Voltages:
 - 120-277 Vac 50/60 Hz, 170-300 Vdc
 - 347-480 Vac 50/60 Hz
- Standard 6kV surge protection.
- Captive fasteners secure one piece lens.
- Field replaceable LED driver and lens cover.

OPTIONS

- Improved safety cable design with multiple retention points, purchase separately
- Guard available, purchase separately
- 10kV Surge Protection (NEC/CEC only)
- Y mount cable assembly, purchase separately
- Drain assembly, purchase separately
- Diffused Polycarbonate Lens (NEC/CEC only)

SUITABLE LOCATIONS

- Enclosed and gasketed fixtures suitable for use in:
 - A wide range of industrial, chemical processing and other areas where flammable gases and vapors are present, for example:
 - Oil and Gas Refineries
 - Petrochemical Plants
 - Foundries
 - Drilling Rigs
 - Pulp and Paper Mills
 - Food and Beverage Processing Facilities
 - Loading Docks
 - Power Plants
 - Water and Wastewater Treatment Facilities
 - Other areas where corrosive, wet, dirty and tough environments are a problem.

STANDARD MATERIALS

- Housing and lens door: copperfree (4/10 of 1% max.) aluminum
- Gaskets: silicone rubber
- Quick mount hood and body: copperfree (4/10 of 1% max.) aluminum
- Exterior hardware: stainless steel
- Close up plugs: (two 3/4", one 1/2") aluminum provided for quick mount, (one 3/4") aluminum provided otherwise
- Guard and safety cable: stainless steel

STANDARD FINISHES

- Housing, lens cover, quick mount body and hood; baked gray epoxy powder coat finish, electrostatically applied for complete uniform protection

NEC/CEC RATINGS

- UL Standards:
 - UL 844 Hazardous Locations Luminaire and Luminaire Fittings
 - UL 1598, Luminaires
 - UL 1598A, Luminaires for Installation on Marine Vessels
 - UL 8750 LED Equipment for Use in Lighting Products
 - UL50/UL50E Enclosures for Electrical Equipment, Environmental Considerations
- CSA Standards:
 - C22.2 No. 137 Luminaires for Use in Hazardous Locations
 - C22.2 No. 250.0, Luminaires
 - C22.2 No. 250.13 Light Emitting Diode (LED) Equipment for use in Lighting Applications
 - C22.2 No. 60079-0 Explosive Atmospheres – Part 0
 - C22.2 No. 94.1 Enclosures for Electrical Equipment, Non-Environmental Considerations
- cCSAus: 164460, Certificate Number: 70073613

ATEX/IECEx RATINGS

- Certification Type: Baymaster LED
 - Gas: Zone 2
 - Conforming to ATEX 2014/34/EU: II 3 G
 - Type of Protection: Ex ec IIC Gc
 - Temperature Class: T5 to T3
 - Dust: Zone 22
 - Conforming to ATEX 2014/34/EU: II 3 D
 - Type of Protection: Ex tc IIIC Dc
 - Surface Temperature: +85 °C to +100 °C (+185 °F to +212 °F)
- Ambient Temperature: -40 °C up to +65 °C (-40 °F up to +268 °F)
- ATEX Certificate: SIRA 17ATEX3241
- IECEx Certificate: IECEx SIR 17.0079
- Index of Protection according EN/IEC 60529: IP66
- Impact Resistance (shock): IK10
- Photobiological Safety, IEC 62778 and IEC 62471: RG0

DESIGNLIGHTS™ CONSORTIUM

- All models pending.

APPLETON™

For product information:
www.appletonelec.com
1.800.621.1506

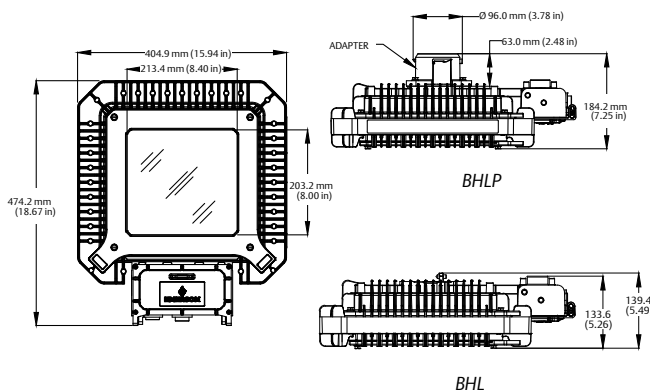

EMERSON™

CONSIDER IT SOLVED™

		BHLL1/BHLPL1	BHLL2/BHLPL2	BHLL3/BHLPL3
Equivalent to HPS/PSMH		1000 Watt	1000-1500 Watt	1500 Watt
Input Power		180 Watt	225 Watt	310 Watt
Voltage Range	BU	120-277 Vac, 50/60 Hz, 170-300 Vdc	120-277 Vac, 50/60 Hz, 170-300 Vdc	120-277 Vac, 50/60 Hz, 170-300 Vdc
	BH ①	347-480 Vac, 50/60 Hz	347-480 Vac, 50/60 Hz	347-480 Vac, 50/60 Hz
Luminous Flux (Efficacy) ② for 5000K Clear	Type V Narrow (80° beam angle)	24500 (136)	30400 (135)	39000 (126)
	Type V Medium (120° beam angle)	24400 (136)	30400 (135)	37600 (121)
	Type V Wide (140° beam angle)	20700 (115)	25900 (115)	33400 (108)
Correlated Color Temperature (CCT)		3000K/5000K	3000K/5000K	3000K/5000K
Color Rendering Index (CRI)		80/70	80/70	80/70
Ambient Temperature		-40 °C (-40 °F) to +65 °C (+149 °F)	-40 °C (-40 °F) to +65 °C (+149 °F)	-40 °C (-40 °F) to +55 °C (+149 °F)
T Rating (NEC/CEC) Class I Division 2		T4 @ +65 °C (+149 °F)	T3C @ +65 °C (+149 °F)	T3C @ +55 °C (+149 °F)
T Rating row for ATEX/IECEx Zone 2		T4 @ +65 °C (+149 °F)	T3C @ +65 °C (+149 °F)	T3C @ +55 °C (+149 °F)
Luminaire Weight		16.1 kg (35.4 lb)	16.1 kg (35.4 lb)	16.1 kg (35.4 lb)
Standard Materials		Housing: copperfree aluminum		
		Finish: baked grey epoxy clad finish		
		Lens: thermal shock- and impact-resistant glass or optional frosted glass		
Lifetime		>100,000 hours @ +40 °C (+104 °F) ambient temperature		
		>60,000 hours @ +65 °C (+149 °F) ambient temperature		
Warranty		5 years standard; 10 years for models with secondary optic and extra surge protection		

① BH voltage available for NEC/CEC only.

② All values typical +/-10%



Product Ordering Guide

BLL	P	L2	C	G	M	N	BU	S
Series:	Mounting:	Lumen Level:	Color Temp CCT:	Diffusion:	Light Pattern:	Dimming:	Voltage:	
BHL - Hazardous Baymaster HL LED Series	P - Quick Mount Pendant	L1 - 24K	C - 5000K	G - Clear Glass	M - Medium	N - None	BU = 120V-277 Vac 50/60 Hz, 170-300 Vdc	F - Fusing ⑤
	Blank - No Quick Mount	L2 - 30K	W - 3000K ③	F - Frosted Glass ④	W - Wide			S - 10 KV Surge Protection ⑦
		L3 - 38K		D - Diffused Polycarbonate ⑧	N - Narrow		BH = 347-480 Vac 50/60 Hz ⑥	M - Metric M20

Example: **BHLPL2CGMNBUS**

③ 3000K CCT (Warm) is only available with Type V Wide or Narrow light patterns

④ Frosted Glass is only available with Type V Medium light pattern

⑤ Use of fuse voids Marine rating. Fusing available for NEC/CEC only.

⑥ BH voltage available for NEC/CEC only.

⑦ 10 KV Surge Protection available for NEC/CEC only.

⑧ Diffused polycarbonate available for NEC/CEC only.